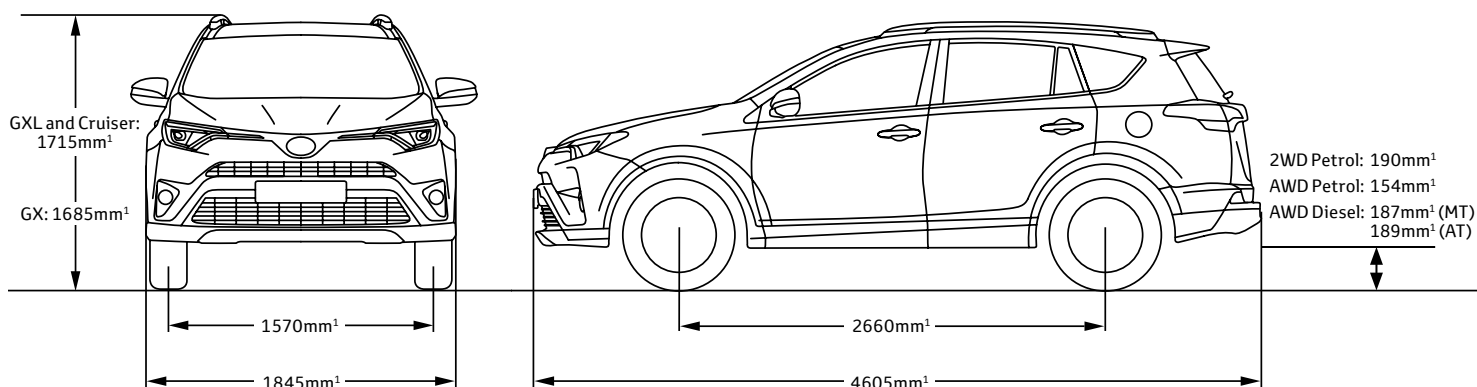


TOYOTA

RAV4



MECHANICAL SPECIFICATIONS		2.0L Petrol	2.5L Petrol	2.2L Turbo diesel
Engine	Name	3ZR-FE	2AR-FE	2AD-FTV (manual) / 2AD-FHV (automatic)
	Displacement (cm ³)	1987	2494	2231
	Max power (kW@rpm) ²	107@6200	132@6000	110@3600
	Max torque (Nm@rpm) ²	187@3600	233@4100	340@2000-2800
	Valve train	16-valve DOHC, with Dual Variable Valve Timing with intelligence (VVT-i)	16-valve DOHC, chain drive with Dual Variable Valve Timing with intelligence (VVT-i)	16-valve DOHC, chain drive
	Fuel economy ³ (L/100km)	CVT 7.0	Automatic 8.5	Automatic 6.7
		Manual 7.7	-	Manual 5.7
	Fuel system	EFI	EFI	Common-rail with piezo injectors
	Bore x stroke (mm)	80.5 x 97.6	90.0 x 98.0	86.0 x 96.0
	Compression ratio	10.0:1	10.4:1	15.7:1
Transmission	Transmission	6-speed manual and CVT	6-speed automatic	6-speed manual and 6-speed automatic
	Gear ratios – CVT / automatic	CVT: Pulley Ratio (Forward) 2.517:1–0.390:1; CVT: Pulley Ratio (Reverse) 1.751:1	Automatic: 1st 3.300:1; 2nd 1.900:1; 3rd 1.420:1; 4th 1.000:1; 5th 0.713:1; 6th 0.608:1; Reverse 4.148:1	Automatic: 1st 3.300:1; 2nd 1.900:1; 3rd 1.420:1; 4th 1.000:1; 5th 0.713:1; 6th 0.608:1; Reverse 4.148:1
	Gear ratios – manual	Manual: 1st 3.833:1; 2nd 2.047:1; 3rd 1.303:1; 4th 1.025:1; 5th 0.875:1; 6th 0.733:1; Reverse 3.545:1	-	Manual: 1st 3.818:1; 2nd 1.913:1; 3rd 1.218:1; 4th 0.880:1; 5th 0.809:1; 6th 0.711:1; Reverse 4.139:1
	Final Drive Ratio – CVT / automatic (front / rear)	5.791:1 / -	4.071:1 / 2.277:1	3.935:1 / 2.277:1
	Final Drive Ratio – manual (front / rear)	4.600:1 / -	-	4.312:1 (1st-4th), 3.631:1 (5th, 6th, Reverse) / 2.277:1
	Transfer gear ratio	-	0.439:1	0.439:1
	Driveline	2WD	AWD	AWD
Steering	Steering system	Rack and Pinion	Rack and Pinion	Rack and Pinion
	Steering operation	Electronic Power Steering (EPS)	Electronic Power Steering (EPS)	Electronic Power Steering (EPS)
	Turning circle – kerb to kerb (m)	10.6 (GX) 11.2 (GXL)	10.6 (GX) 11.2 (GXL and Cruiser)	10.6 (GX), 11.2 (GXL and Cruiser)
Brakes	Brake control system	Anti-Lock Braking System (ABS) with Electronic Brake-force Distribution (EBD) and Brake Assist (BA)	Anti-Lock Braking System (ABS) with Electronic Brake-force Distribution (EBD) and Brake Assist (BA)	Anti-Lock Braking System (ABS) with Electronic Brake-force Distribution (EBD) and Brake Assist (BA)
Suspension	Front	MacPherson strut type	MacPherson strut type	MacPherson strut type
	Rear	Trailing arm double wishbone type	Trailing arm double wishbone type	Trailing arm double wishbone type

RAV4 MODEL		GX Petrol	GX Turbo diesel	GXL Petrol	GXL Turbo diesel	Cruiser Petrol	Cruiser Turbo diesel
Weights (Approximate)	Kerb weight (kg) ¹ – 2WD (CVT / manual)	1500 / 1465	–	1510 / –	–	–	–
	Kerb weight (kg) ¹ – AWD (automatic / manual)	1590 / –	1630 / 1620	1600 / –	1635 / –	1600 / –	1635 / –
	Gross Vehicle Mass (kg) ¹ – 2WD (CVT / manual)	2050 / 2000	–	2050 / –	–	–	–
	Gross Vehicle Mass (kg) ¹ – AWD (automatic / manual)	2150 / –	2280 / 2220	2150 / –	2280 / –	2150 / –	2280 / –
Capacities	Seating capacity	5	5	5	5	5	5
	Luggage volume (L) – to the top of seats 2nd row (with space saver / with full size spare)	577 / 506	577 / 506	577 / –	577 / –	577 / –	577 / –
	Luggage volume (L) – to the roof 2nd row (with space saver / with full size spare)	760 / 688	760 / 688	760 / –	760 / –	760 / –	760 / –
	Towing capacity ⁴ – with trailer brakes (2WD / AWD)	800 / 1500kg	– / 1200kg	800 / 1500kg	– / 1200kg	– / 1500kg	– / 1200kg
	Towing capacity ⁴ – without trailer brakes (2WD / AWD)	750kg	750kg	750kg	750kg	750kg	750kg
Wheels	17" steel wheels	•	•				
	18" sports alloy wheels			•	•		
	18" luxury alloy wheels					•	•

RAV4 MODEL		GX Petrol	GX Turbo diesel	GXL Petrol	GXL Turbo diesel	GXL Premium Interior (optional)	Cruiser Petrol	Cruiser Turbo diesel
Exterior	Daytime Running Lamps (DRLs)	•	•	•	•	•	•	•
	Fog lamps	•	•	•	•	•	•	•
	LED headlamps	•	•	•	•	•	•	•
	Auto-levelling headlamps	•	•	•	•	•	•	•
	Automatic High Beam	•	•	•	•	•	•	•
	Power exterior mirrors	•	•	•	•	•	•	•
	Power folding exterior mirrors			•	•	•	•	•
	Rear spoiler	•	•	•	•	•	•	•
	Roof rails			•	•	•	•	•
	Privacy glass			•	•	•	•	•
	Power back door						•	•
	Tilt and slide moonroof						•	•
Interior	60:40 split fold rear seat	•	•	•	•	•	•	•
	Driver's 6-way and front passenger 4-way manual seats	•	•	•	•			
	Driver's 10-way power seat					•	•	•
	Driver's and front passenger seat heater					•	•	•
	Accessory connector (2 in front)	•	•	•	•	•	•	•
	Fabric seats	•	•	•	•			
	Leather accented seats					•	•	•
	Tilt and telescopic steering column	•	•	•	•	•	•	•
	Steering wheel with audio, MID and telephone controls	•	•	•	•	•	•	•
	Premium steering wheel and gear lever			•	•	•	•	•
Net tray and tonneau cover	•	•	•	•	•	•	•	

RAV4 MODEL		GX Petrol	GX Turbo diesel	GXL Petrol	GXL Turbo diesel	GXL Premium Interior (optional)	Cruiser Petrol	Cruiser Turbo diesel
Instruments and Controls	Active Cruise Control
	Automatic on / off headlamps
	ECO meter ⁵
	Manual air conditioning
	Dual-zone automatic climate control
	Colour Multi Information Display (MID)
	Power windows (driver with automatic up/down)
	Rain sensing wipers
	Smart entry and start system
	Blind Spot Monitor (BSM) with Rear Cross Traffic Alert (RCTA)
	Back Guide Monitor (BGM)
	Electro-Chromatic mirror
Safety	Anti-Lock Braking System (ABS), Electronic Brake-force Distribution (EBD), Vehicle Stability Control (VSC)
	Toyota Safety Sense+, including Lane Departure Alert (LDA), Automatic High Beam (AHB) and Pre-Collision Safety system (PCS) including Forward Collision Warning (FCW), Brake Assist (BA) and Autonomous Emergency Braking (AEB)
	Hill-start Assist Control (HAC)
	Downhill Assist Control (DAC) (AWD Automatic variants only)
	Driver's knee airbag, driver's and front passenger front and side airbags, 1st and 2nd row curtain shield SRS airbags
	Seatbelt warning (Driver's, front passenger and rear passengers)
	Reversing camera
	Child restraint anchorage points	3	3	3	3	3	3	3
	Front and rear parking sensors
Luggage area hooks	
Security	Engine immobiliser system
Storage	Cup holders and bottle holders
	Driver's and front passenger seat back map pockets
Sound System	6.1" LCD colour touchscreen display with single-disc in-dash CD player, 6 speakers (GX and GXL only), MP3 compatibility and AM / FM tuner
	11 speaker JBL ^{®6} premium audio
	Digital radio ⁷ (DAB)
	Satellite navigation ⁸
	USB input ⁹ for iPod ^{®10} / USB memory sticks
	Toyota Link ¹¹
Bluetooth ^{®12} connectivity	

1 Vehicle weights/mass and dimensions are approximate and subject to individual vehicle variances. Vehicles should be individually weighed and measured before fitting any accessories, towing or designing any compatible trailer/caravan or otherwise using the vehicle in any way that depends on this value.

2 Power and torque test standards differ. Ensure comparisons use same test standard.

3 Achieved in test conditions. Actual fuel consumption may vary depending on driving conditions/style, vehicle condition and options/accessories fitted. Fuel consumption data provided for comparison purposes only. Source: ADR81/02 combined.

4 Towing capacity is subject to regulatory requirements, towbar and vehicle design and towing equipment limitations. Ask your Dealer for Toyota Genuine Tow bar capacity and availability details.

5 Available on CVT and Automatic Transmission only.

6 JBL[®] is a registered trademark of Harman International Industries, Incorporated.

7 Digital radio station coverage dependent on vehicle location.

8 Current navigation mapping database encompasses major capital and primary national road networks and offers some coverage in regional areas.

IMPORTANT NOTICE – PLEASE READ: Toyota Australia uses its best endeavours to ensure material is correct when published. Check with your authorised Toyota dealer when ordering to ensure the vehicle with your chosen specifications, equipment and colour is available and can be delivered within the timeframe suitable to you. When ordering accessories, check with your authorised Toyota dealer to ensure the accessory's design, features and colours are available and fit your vehicle. Ensure the mass of your load does not exceed the maximum allowable individual axle capacity, Gross Vehicle Mass and/or Gross Combined Mass of the vehicle. Refer to toyota.com.au for further details. Colours displayed are a guide only and may vary from actual colours due to printing/display processes. Certain accessories when fitted will require the removal of standard equipment, which may be retained by Toyota Australia or your Toyota dealer. Toyota Australia reserves the right to change, without notice, prices, colours, materials, equipment, specifications and discontinue colours/models. To the extent permitted by law, Toyota Australia will not be liable for any damage, loss or expense incurred as a result of reliance on this material in any way. Distributed nationally (other than in Western Australia) by Toyota Motor Corporation Australia Limited ABN 64 009 686 097, 155 Bertie St, Port Melbourne 3207. Material distributed in Western Australia by or on behalf of Prestige Motors Pty Ltd (for vehicles) and by Eastpoint Pty Ltd (for parts/accessories). Toyota Australia makes no warranties regarding (and will not be liable for) accuracy of materials distributed in Western Australia. PROOF HQ: T2017-007660. OCTOBER 2017. GTO1831.

9 Not all devices will be compatible and functionality will vary depending on the device.

10 iPod[®] is a trademark of Apple, Inc. Not all devices will be compatible and functionality will vary depending on the device.

11 Toyota Link is available on certain vehicle models and grades only. Toyota Link services rely on data from the driver's compatible mobile phone and information provided by third parties. Availability is dependent on a number of factors, including the availability of third party information, mobile service, sufficient mobile data allowance and GPS satellite signal reception. Mobile usage is at the user's cost. Toyota Australia reserves the right to add, remove or modify applications. Compatibility with smartphones will vary according to model and operating system. Further information (including smartphone compatibility) is provided at www.toyota.com.au/toyotalink

12 The Bluetooth[®] word mark is owned by Bluetooth SIG, Inc. Not all devices will be compatible and functionality varies depending on the device.