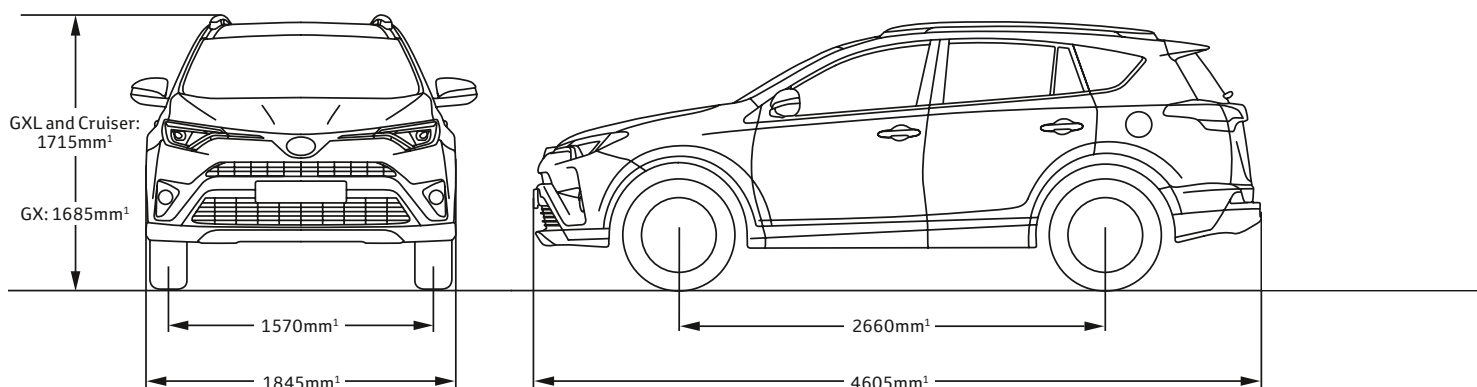


**TOYOTA**

# RAV4



MECHANICAL SPECIFICATIONS		2.0L Petrol	2.5L Petrol
<b>Engine</b>	Name	3ZR-FE	2AR-FE
	Displacement (cm <sup>3</sup> )	1987	2494
	Max power (kW@rpm)	107@6200	132@6000
	Max torque (Nm@rpm)	187@3600	233@4100
	Valve train	16-valve DOHC, with Dual Variable Valve Timing with intelligence (VVT-i)	16-valve DOHC, chain drive with Dual Variable Valve Timing with intelligence (VVT-i)
	Fuel economy <sup>2</sup> (L/100km)	Auto CVT 7.0	Automatic 8.5
		Manual 7.7	-
	Fuel system	EFI	EFI
	Bore x stroke (mm)	80.5 x 97.6	90.0 x 98.0
	Compression ratio	10.0:1	10.4:1
<b>Transmission</b>	Transmission	6-speed manual and auto CVT	6-speed automatic
	Gear ratios – auto CVT / automatic	Auto CVT: Pulley Ratio (Forward) 2.517:1– 0.390:1; CVT: Pulley Ratio (Reverse) 1.751:1	Automatic: 1st 3.300:1; 2nd 1.900:1; 3rd 1.420:1; 4th 1.000:1; 5th 0.713:1; 6th 0.608:1; Reverse 4.148:1
	Gear ratios – manual	Manual: 1st 3.833:1; 2nd 2.047:1; 3rd 1.303:1; 4th 1.025:1; 5th 0.875:1; 6th 0.733:1; Reverse 3.545:1	-
	Final Drive Ratio – auto CVT / automatic (front / rear)	5.791:1 / -	4.071:1 / 2.277:1
	Final Drive Ratio – manual (front / rear)	4.600:1 / -	-
	Transfer gear ratio	-	0.439:1
	Driveline	2WD	AWD
<b>Steering</b>	Steering system	Rack and Pinion	Rack and Pinion
	Steering operation	Electronic Power Steering (EPS)	Electronic Power Steering (EPS)
	Turning circle – kerb to kerb (m)	10.6 (GX) 11.2 (GXL)	10.6 (GX) 11.2 (GXL and Cruiser)
<b>Suspension</b>	Front	MacPherson strut type	MacPherson strut type
	Rear	Trailing arm double wishbone type	Trailing arm double wishbone type

RAV4 MODEL		GX	GXL	Cruiser
<b>Weights (Approximate)</b>	Kerb weight (kg) <sup>1</sup> – 2WD (auto CVT / manual)	1500 / 1465	1510 / –	–
	Kerb weight (kg) <sup>1</sup> – AWD (automatic / manual)	1590 / –	1600 / –	1600 / –
	Gross Vehicle Mass (kg) <sup>1</sup> – 2WD (auto CVT / manual)	2050 / 2000	2050 / –	–
	Gross Vehicle Mass (kg) <sup>1</sup> – AWD (automatic / manual)	2150 / –	2150 / –	2150 / –
<b>Capacities</b>	Seating capacity	5	5	5
	Luggage volume (L) – to the top of seats 2nd row (with space saver / with full size spare)	577 / 506	577 / –	577 / –
	Luggage volume (L) – to the roof 2nd row (with space saver / with full size spare)	760 / 688	760 / –	760 / –
	Towing capacity <sup>2</sup> – with trailer brakes (2WD / AWD)	800 / 1500kg	800 / 1500kg	– / 1500kg
	Towing capacity <sup>2</sup> – without trailer brakes (2WD / AWD)	750kg	750kg	750kg
<b>Wheels</b>	17" steel wheels	•		
	18" sports alloy wheels		•	
	18" luxury alloy wheels			•

RAV4 MODEL		GX	GXL	GXL Premium Interior (optional)	Cruiser
<b>Exterior</b>	Daytime Running Lamps (DRLs)	•	•	•	•
	Fog lamps	•	•	•	•
	LED headlamps	•	•	•	•
	Auto-levelling headlamps	•	•	•	•
	Automatic High Beam	•	•	•	•
	Power exterior mirrors	•	•	•	•
	Power folding exterior mirrors		•	•	•
	Rear spoiler	•	•	•	•
	Roof rails		•	•	•
	Privacy glass		•	•	•
	Power back door				•
	Tilt and slide moonroof				•
<b>Interior</b>	60:40 split fold rear seat	•	•	•	•
	Driver's 6-way and front passenger 4-way manual seats	•	•		
	Driver's 10-way power seat			•	•
	Driver's and front passenger seat heater			•	•
	Accessory connector (2 in front)	•	•	•	•
	Fabric seats	•	•		
	Leather accented seats			•	•
	Tilt and telescopic steering column	•	•	•	•
	Steering wheel with audio, MID and telephone controls	•	•	•	•
	Premium steering wheel and gear lever		•	•	•
	Net tray and tonneau cover	•	•	•	•

RAV4 MODEL		GX	GXL	GXL Premium Interior (optional)	Cruiser
Instruments and Controls	Automatic on / off headlamps	•	•	•	•
	ECO meter <sup>4</sup>	•	•	•	•
	Manual air conditioning	•			
	Dual-zone automatic climate control		•	•	•
	Colour Multi Information Display (MID)	•	•	•	•
	Power windows (driver with automatic up/down)	•	•	•	•
	Rain sensing wipers	•	•	•	•
	Smart entry and start system		•	•	•
	Blind Spot Monitor (BSM) with Rear Cross Traffic Alert (RCTA)		•	•	•
	Back Guide Monitor (BGM)		•	•	•
Electro-Chromatic mirror		•	•	•	
Safety	Anti-lock Braking System (ABS), Electronic Brake-force Distribution (EBD), Vehicle Stability Control (VSC)	•	•	•	•
	Toyota Safety Sense, including Active Cruise Control, Lane Departure Alert with steering assist (LDA), Automatic High Beam (AHB) and Pre-Collision Safety system (PCS)	•	•	•	•
	Hill-start Assist Control (HAC)	•	•	•	•
	Downhill Assist Control (DAC) (AWD variants only)	•	•	•	•
	7 SRS airbags - Driver's knee airbag, driver's and front passenger front and side airbags, 1st and 2nd row curtain shield SRS airbags	•	•	•	•
	Seatbelt warning (Driver's, front passenger and rear passengers)	•	•	•	•
	Reversing camera	•	•	•	•
	Child restraint anchorage points	3	3	3	3
	Front and rear parking sensors	•	•	•	•
Luggage area hooks	•	•	•	•	
Security	Engine immobiliser system	•	•	•	•
Storage	Cup holders and bottle holders	•	•	•	•
	Driver's and front passenger seat back map pockets	•	•	•	•
Sound System	6.1" colour touchscreen display with single-disc in-dash CD player, 6 speakers, MP3 compatibility and AM / FM tuner	•	•	•	
	6.1" colour touchscreen display with single-disc in-dash CD player, 11 speaker JBL <sup>®5</sup> premium audio, MP3 compatibility and AM / FM tuner				•
	Digital radio <sup>6</sup> (DAB)	•	•	•	•
	Satellite navigation <sup>7</sup>	•	•	•	•
	USB input <sup>8</sup> for iPod <sup>®9</sup> / USB memory sticks	•	•	•	•
	Toyota Link <sup>10</sup>	•	•	•	•
Bluetooth <sup>®11</sup> connectivity	•	•	•	•	

1 Vehicle weights/mass and dimensions are approximate and subject to individual vehicle variances. Vehicles should be individually weighed and measured before fitting any accessories, towing or designing any compatible trailer/caravan or otherwise using the vehicle in any way that depends on this value.

2 Achieved in test conditions. Actual fuel consumption may vary depending on driving conditions/style, vehicle condition and options/accessories fitted. Fuel consumption data provided for comparison purposes only. Source: ADR81/02 combined.

3 Towing capacity is subject to regulatory requirements, tow bar and vehicle design and towing equipment limitations. Ask your Dealer for Toyota Genuine tow bar capacity and availability details.

4 Available on auto CVT and automatic transmission only.

5 JBL<sup>®</sup> is a registered trademark of Harman International Industries, Incorporated.

6 Digital radio station coverage dependent on vehicle location.

7 Current navigation mapping database encompasses major capital and primary national road networks and offers some coverage in regional areas.

8 Not all devices will be compatible and functionality will vary depending on the device.

9 iPod<sup>®</sup> is a trademark of Apple, Inc. Not all devices will be compatible and functionality will vary depending on the device.

10 Toyota Link requires data from a compatible smartphone, third party information, and sufficient mobile data service and GPS signal reception for service to operate. Mobile usage is at the user's own cost. Toyota Australia reserves the right to add, remove or modify applications. For further information (including smartphone compatibility) see [toyota.com.au/toyotalink](http://toyota.com.au/toyotalink)

11 The Bluetooth<sup>®</sup> word mark is owned by Bluetooth SIG, Inc.

**IMPORTANT NOTICE – PLEASE READ:** Toyota Australia uses its best endeavours to ensure material is correct when published. Check with your authorised Toyota Dealer when ordering to ensure the vehicle with your chosen specifications, equipment and colour is available and can be delivered within the timeframe suitable to you. When ordering accessories, check with your authorised Toyota Dealer to ensure the accessory's design, features and colours are available and fit your vehicle. Ensure the mass of your load does not exceed the maximum allowable individual axle capacity, Gross Vehicle Mass and/or Gross Combined Mass of the vehicle. Refer to [toyota.com.au](http://toyota.com.au) for further details. Colours displayed are a guide only and may vary from actual colours due to printing/display processes. Certain accessories when fitted will require the removal of standard equipment, which may be retained by Toyota Australia or your Toyota Dealer. Toyota Australia reserves the right to change, without notice, prices, colours, materials, equipment, specifications and discontinue colours/models. To the extent permitted by law, Toyota Australia will not be liable for any damage, loss or expense incurred as a result of reliance on this material in any way. Distributed nationally (other than in Western Australia) by Toyota Motor Corporation Australia Limited ABN 64 009 686 097, 155 Bertie St, Port Melbourne 3207. Material distributed in Western Australia by or on behalf of Prestige Motors Pty Ltd (for vehicles) and by Eastpoint Pty Ltd (for parts/accessories). Toyota Australia makes no warranties regarding (and will not be liable for) accuracy of materials distributed in Western Australia. PROOF HQ: T2018-010787. GTO1976. VERSION: NOVEMBER 2018.