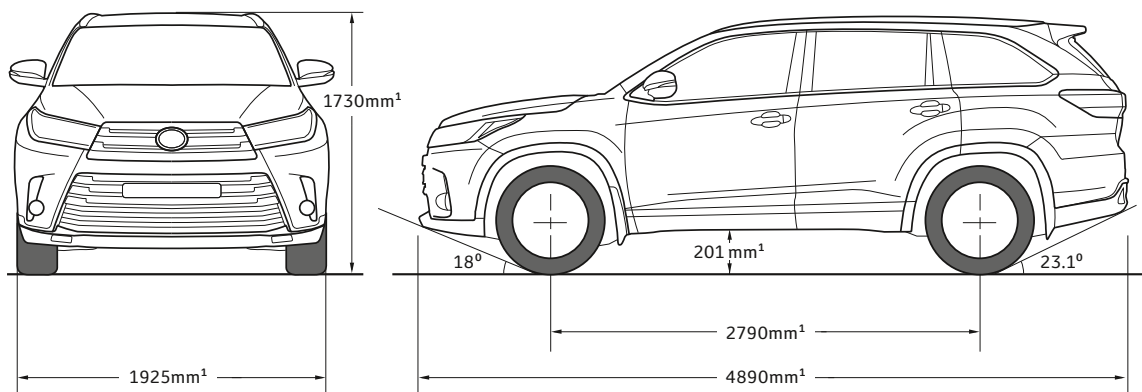


TOYOTA

Kluger



MECHANICAL SPECIFICATIONS		2WD	AWD
Engine	Engine code	2GR-FKS	2GR-FKS
	Engine description	3.5 litre V6 petrol engine	3.5 litre V6 petrol engine
	Displacement (cm ³)	3456	3456
	Max power (kW/rpm) ²	218/6600	218/6600
	Max torque (Nm/rpm) ²	350/4700	350/4700
	Valve train	24-Valve DOHC, chain drive with Dual VVT-i	24-Valve DOHC, chain drive with Dual VVT-i
	Bore x stroke (mm)	94.0 x 83.0	94.0 x 83.0
	Compression ratio	11.8:1	11.8:1
Transmission	Type	8-speed automatic transmission	8-speed automatic transmission
	Gear ratios	1st 5.519; 2nd 3.184; 3rd 2.050; 4th 1.491; 5th 1.234; 6th 1.000; 7th 0.800; 8th 0.673; Rev 4.220	1st 5.519; 2nd 3.184; 3rd 2.050; 4th 1.491; 5th 1.234; 6th 1.000; 7th 0.800; 8th 0.673; Rev 4.220
	Differential gear ratio (Front/Rear)	3.003/-	3.003/2.277
	Transaxle type	UA80E	UA80F
Fuel	Fuel type	Petrol	Petrol
	Fuel economy ³ (Combined)	9.1L/100km (GX & GXL) / 9.3L/100km (Grande)	9.5L/100km
	Fuel capacity (L)	72	72
Steering	Steering gear type	Rack & Pinion	Rack & Pinion
	Steering gear ratio	14.7:1	14.7:1
	Steering operation	Electronic Power Steering (EPS)	Electronic Power Steering (EPS)
	Turning circle (m)	11.8	11.8
Brakes	Brake type – front	Ventilated disc	Ventilated disc
	Brake type – rear	Solid disc	Solid disc
Suspension	Front	MacPherson Strut type	MacPherson Strut type
	Rear	Trailing arm double wishbone type	Trailing arm double wishbone type

KLUGER MODEL		GX	GXL	GRANDE
Weights (Approximate)	Kerb weight (kg) ¹ – 2WD/AWD	1980/2045	1980/2045	2025/2100
	Gross Vehicle Mass ¹ (GVM)(kg) – 2WD/AWD	2690/2760	2690/2760	2690/2760
Capacities	Seating capacity	7	7	7
	Cargo space capacity (L) with 3rd row seats down	529	529	529
	Towing capacity (Braked) ⁴	2000kg	2000kg	2000kg
Wheels	Alloy wheels	18"	18" – level 2 styling	19"
Exterior	Halogen headlamps	•	•	•
	Daylight Running Lamps (DRLs)	•	•	•
	Fog lamps	•	•	•
	Power exterior mirrors	•	•	•
	Door sill scuff plates	•	•	•
	Roof rails	•	•	•
	Front and rear mudflaps	•	•	•
	Privacy glass	•	•	•
	Power back door with glass hatch	•	•	•
	Second row retractable sunshade	•	•	•
	Tilt and slide moonroof	•	•	•

KLUGER MODEL		GX	GXL	GRANDE
Interior	60:40 split second and third row seats	•	•	•
	Driver 12-way power, passenger 4-way manual adjustable seat		•	
	Driver 12-way power, passenger 4-way power adjustable seat			•
	Driver and front passenger heated seats		•	
	Driver and front passenger heated and ventilated seats			•
	Fabric seats	•		
	Leather accented interior		•	•
	Power socket (Front: 2 x 12V, Rear: 1 x 12V)	•	•	•
	Steering wheel with audio, MID, telephone controls and LDA	•		
	Premium steering wheel with audio, MID, telephone controls and LDA		•	•
	Premium gear lever		•	•
Instruments and Controls	Active Cruise Control (ACC)	•	•	•
	Automatic headlamps with Automatic High Beam	•	•	•
	ECO driving indicator zone display	•	•	•
	Automatic rain sensing wipers		•	•
	Manual air conditioning	•		
	3-zone automatic climate control air conditioning		•	•
	Multi Information Display (MID)	•	•	•
	Power windows (Driver and passenger auto up/down)	•	•	
	Power windows (All auto up/down)			•
	Smart entry and start system		•	•
	Auto-dimming rear view mirror			•
	Safety	Anti-lock Braking System (ABS), Brake Assist (BA) and Electronic Brake-force Distribution (EBD)	•	•
Vehicle Stability Control (VSC)		•	•	•
Hill-start Assist Control (HAC)		•	•	•
Downhill Assist Control (DAC) – AWD only		•	•	•
Seven SRS airbags		•	•	•
Seatbelt warning (Driver, front passenger and second row passengers)		•	•	•
Pre-collision safety system with pedestrian detection ⁵		•	•	•
Blind Spot Monitor (BSM) with Rear Cross Traffic Alert (RCTA)			•	•
Lane Departure Alert (LDA+) with Steering Control and Sway Warning		•	•	•
Rear parking sensors		•	•	•
Front parking sensors				•
Reversing camera		•	•	
Reversing camera with moving guidelines				•
Panoramic view monitor				•
Child restraint anchorage points x3		•	•	•
Luggage area hooks		•	•	•
Engine immobiliser system		•	•	•
Theft deterrent system (Alarm)		•	•	•
Storage	Cup holders and bottle holders	•	•	•
	Instrument panel tray	•	•	•
	Central console box	•	•	•
Entertainment	6.1" screen audio display with Toyota Link ⁵ iPod ^{®7} /USB [®] connectivity, CD player, AM/FM tuner and AUX input for portable audio players ⁹	•		
	8" screen audio display with advanced Toyota Link ⁶ , satellite navigation ⁹ , CD player, iPod ^{®7} /USB [®] connectivity, digital radio ¹⁰ and AUX input for portable audio players ⁷		•	•
	6 speakers	•	•	•
	Bluetooth ¹¹ connectivity	•	•	•

1 Vehicle weights/mass and dimensions are approximate and subject to individual vehicle variances. Vehicles should be individually weighed and measured before fitting any accessories, towing or designing any compatible trailer/caravan or otherwise using the vehicle in any way that depends on this value.

2 Power and torque test standards differ. Ensure comparisons use same test standard.

3 Achieved in test conditions. Actual fuel consumption may vary depending on driving conditions/style, vehicle condition and options/accessories fitted. Fuel consumption data provided for comparison purposes only. Source of fuel consumption data: ADR81/02 combined.

4 Towing capacity is subject to regulatory requirements, tow bar and vehicle design and towing equipment limitations. Ask your Dealer for Toyota Genuine tow bar capacity and availability details.

IMPORTANT NOTICE – PLEASE READ: Toyota Australia uses its best endeavours to ensure material is correct when published. Check with your authorised Toyota dealer when ordering to ensure the vehicle with your chosen specifications, equipment and colour is available and can be delivered within the timeframe suitable to you. When ordering accessories, check with your authorised Toyota dealer to ensure the accessory's design, features and colours are available and fit your vehicle. Ensure the mass of your load does not exceed the maximum allowable individual axle capacity,

5 Pre-Collision Safety system with pedestrian detection is a driver assist feature only and not a substitute for safe driving practices. Driver remains responsible at all times for safe driving. Pedestrians may not be detected in certain conditions including low and harsh light, where partially obstructed from view, where clothing or movement obscures or effects body contours, persons under 1 metre or over 2 metres tall and where carrying or pushing large objects.

6 Toyota Link is available on certain vehicle models and grades only. Toyota Link services rely on data from the driver's compatible mobile phone and information provided by third parties. Availability is dependent on a number of factors, including the availability of third party information, mobile service, sufficient mobile data allowance and GPS satellite signal reception. Mobile usage is at the user's cost. Toyota Australia reserves the right to add, remove or modify

Gross Vehicle Mass and/or Gross Combined Mass of the vehicle. Refer to toyota.com.au for further details. Colours displayed are a guide only and may vary from actual colours due to printing/display processes. Certain accessories when fitted will require the removal of standard equipment, which may be retained by Toyota Australia or your Toyota dealer. Toyota Australia reserves the right to change, without notice, prices, colours, materials, equipment, specifications and discontinue colours/models. To the extent permitted by law, Toyota Australia will not be liable for any

applications. Compatibility with smartphones will vary according to model and operating system. Further information (including smartphone compatibility) is provided at www.toyota.com.au/toyotalink

7 iPod[®] is a trademark of Apple, Inc. Not all devices will be compatible and functionality will vary depending on the device.

8 Not all devices will be compatible. Functionality varies depending on device.

9 Current navigation mapping database encompasses major capital and primary national road networks and offers some coverage in regional areas.

10 Digital radio station coverage dependent on vehicle location.

11 The Bluetooth[®] word mark is owned by Bluetooth SIG, Inc.

Not all devices will be compatible and functionality varies depending on the device.

damage, loss or expense incurred as a result of reliance on this material in anyway. Distributed nationally (other than in Western Australia) by Toyota Motor Corporation Australia Limited ABN 64 009 686 097, 155 Bertie St, Port Melbourne 3207. Material distributed in Western Australia by or on behalf of Prestige Motors Pty Ltd (for vehicles) and by Eastpoint Pty Ltd (for parts/accessories). Toyota Australia makes no warranties regarding (and will not be liable for) accuracy of materials distributed in Western Australia. PROOF HQ: T2017-008886. GTO1879. JANUARY 2018.