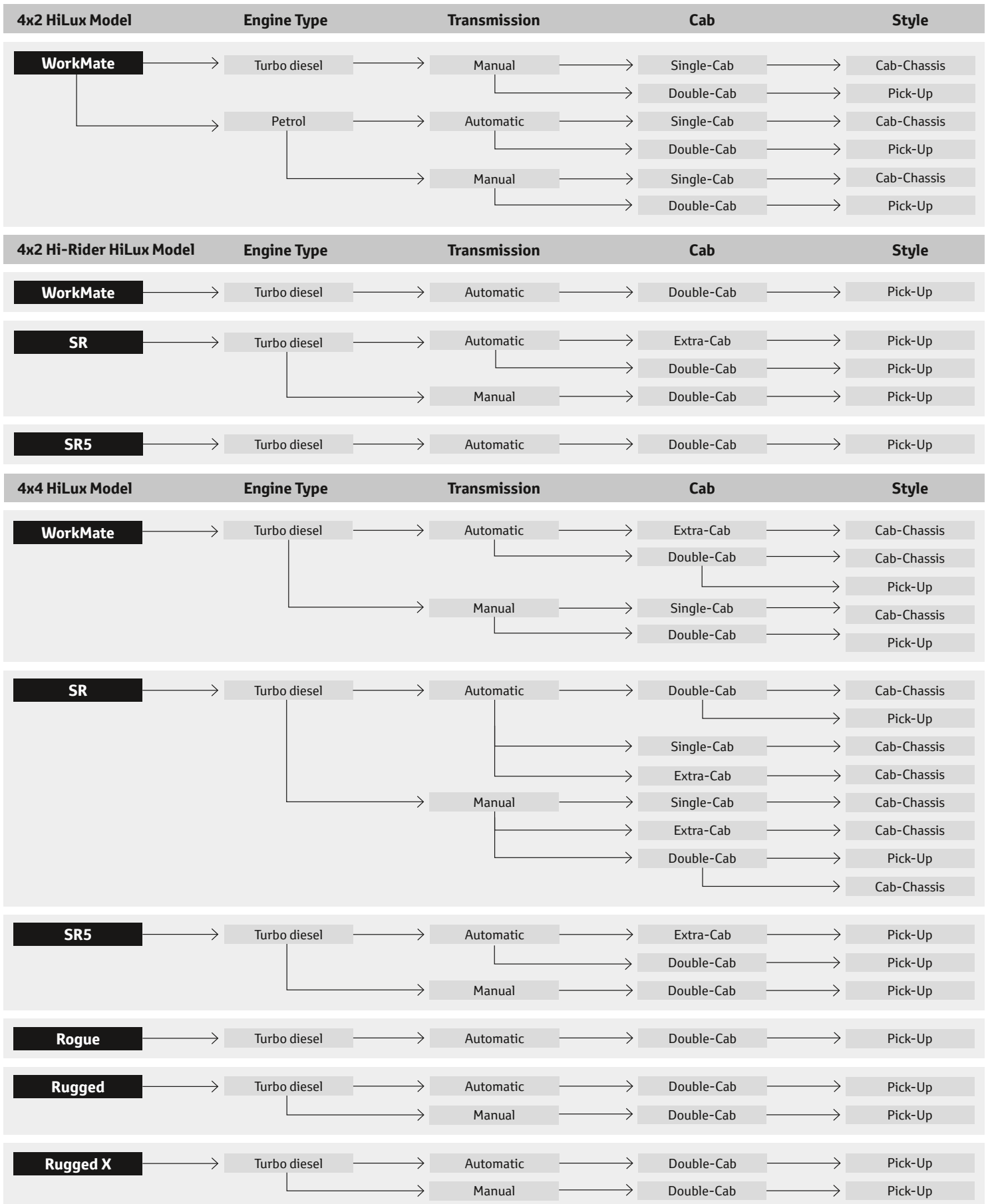
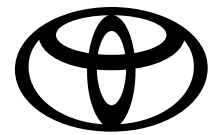


TOYOTA

A HiLux built for every need.



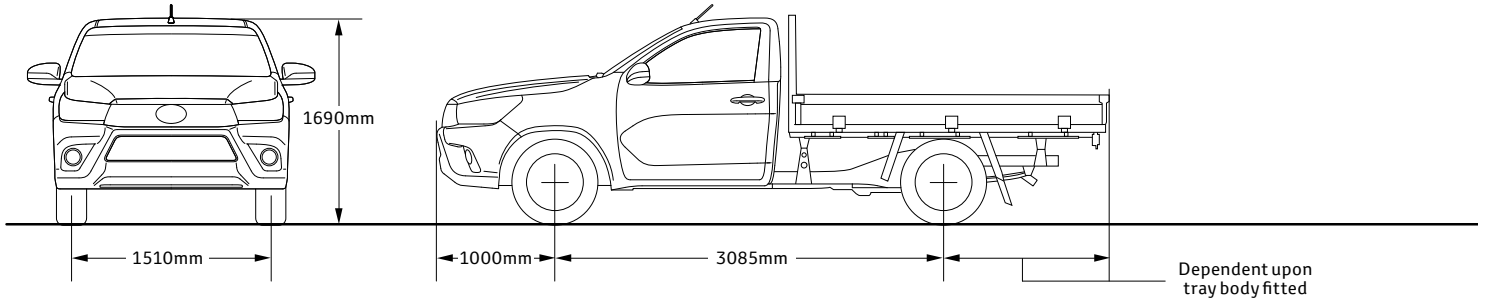
IMPORTANT NOTICE – PLEASE READ: Toyota Australia has used its best endeavours to ensure material is accurate at the time of printing. All information must be confirmed with your Toyota dealer at the time of ordering, as specifications and details will change over time. Colours displayed are a guide only and may vary from actual colours. To the extent permitted by law, Toyota Australia will not be liable for any damage, loss or expense incurred as a result of reliance on the information and photos contained in this material. Material distributed in Western Australia by or on behalf of Prestige Motors Pty Ltd (for vehicles) and by Eastpoint Pty Ltd (for parts/ accessories). Toyota Australia makes no warranties regarding (and will not be liable for) accuracy of materials distributed in Western Australia. PROOF HQ: T2018-009441. GTO1900. VERSION: MARCH 2018.



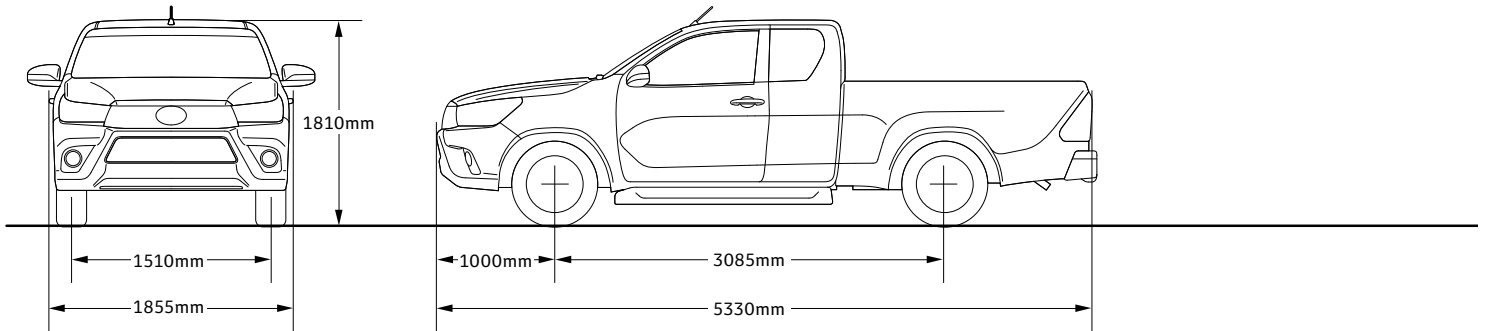
TOYOTA

HiLux 4x2 and Hi-Rider

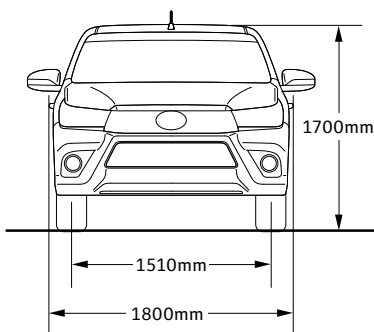
Single-Cab 4x2



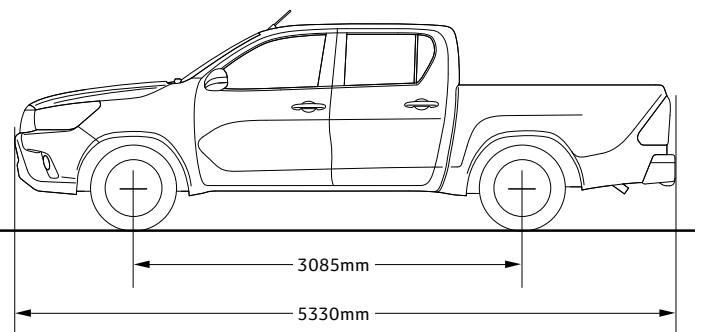
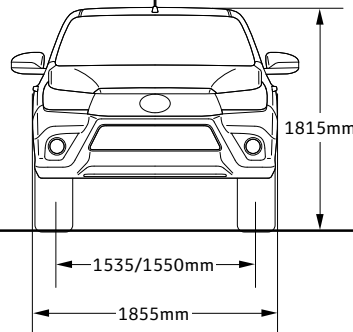
Extra-Cab 4x2



Double-Cab 4x2



Double-Cab Hi-Rider



HiLux – 4x2 and Hi-Rider		4-cylinder Petrol		2.4L Turbo diesel		2.8L Turbo diesel	
Applicability		4x2		4x2		4x2	
Engine	Name	2TR-FE		2GD-FTV		1GD-FTV	
	Displacement (cm ³)	2694		2393		2755	
	Max power ¹ (kW@rpm)	122@5200		110@3400		130@3400	
	Max torque ¹ (Nm@rpm)	245@4000		343@1400-2800 m/t, 400@1600-2000 a/t		420@1400-2600 m/t, 450@1600-2400 a/t	
	Valve train	16-valve DOHC, with Dual VVT-i		16-valve DOHC		16-valve DOHC	
	Fuel system	Electronic fuel injection		Fuel injection with common rail		Fuel injection with common rail	
	Bore x stroke (mm)	95.0 x 95.0		92.0 x 90.0		92.0 x 103.6	
	Compression ratio	10.2:1		15.6:1		15.6:1	
Transmission	Type	Manual	Automatic	Manual	Automatic	Manual	Automatic
	Number of ratios	5-speed	6-speed	5-speed	6-speed	6-speed	6-speed
	Ratios	1st 4.313 2nd 2.330 3rd 1.436 4th 1.000 5th 0.838 Rev 4.220	1st 3.600 2nd 2.090 3rd 1.488 4th 1.000 5th 0.687 6th 0.580 Rev 3.732	1st 4.313 2nd 2.330 3rd 1.436 4th 1.000 5th 0.838 Rev 4.220	1st 3.600 2nd 2.090 3rd 1.488 4th 1.000 5th 0.687 6th 0.580 Rev 3.732	1st 4.784 2nd 2.423 3rd 1.443 4th 1.000 5th 0.826 6th 0.643 Rev 4.066	1st 3.600 2nd 2.090 3rd 1.488 4th 1.000 5th 0.687 6th 0.580 Rev 3.732
	Differential ratio (rear)	4.100	4.100	3.583	3.909	3.583	3.909

Drivetrain		4x2				4x2 Hi-Rider			
Body Type		Single-Cab		Double-Cab		Extra-Cab	Double-Cab		
Grade		WorkMate		WorkMate		SR	WorkMate	SR	SR5
Engine		Petrol	Turbo diesel	Petrol	Turbo diesel	Turbo diesel	Turbo diesel	Turbo diesel	Turbo diesel
Tray Type		Cab-Chassis	Cab-Chassis	Pick-Up	Pick-Up	Pick-Up	Pick-Up	Pick-Up	Pick-Up
Mechanical	2.4L Turbo diesel		•		•		•		
	2.8L Turbo diesel					•		•	•
	2.7L Petrol	•		•					
	5-speed manual transmission	•	•	•	•				
	6-speed manual transmission							•	
	6-speed automatic transmission	•		•		•	•	•	•
Dimensions and Vehicle Weights									
Overall	Length / Width / Height (mm)	- / - / 1690	- / - / 1690	5330 / 1800 / 1700	5330 / 1800 / 1700	5330 / 1855 / 1810	5330 / 1855 / 1815	5330 / 1855 / 1815	5330 / 1855 / 1815
	Wheelbase (mm)	3085	3085	3085	3085	3085	3085	3085	3085
	Track – front / rear (mm)	1510 / 1510	1510 / 1510	1510 / 1510	1510 / 1510	1510 / 1510	1535 / 1550	1535 / 1550	1535 / 1550
	Overhang – front / rear (mm)	1000 / -	1000 / -	1000 / 1250	1000 / 1250	1000 / 1250	1000 / 1245	1000 / 1245	1000 / 1245
Weight (Approximate)	Kerb weight manual ² (kg)	1475	1570	1745	1840			1930	
	Kerb weight automatic ² (kg)	1490		1755		1910	1935	1930	1900
	Gross Vehicle Mass ² (GVM) (kg)	2700	2810	2780	2860	3000	3050	2930	2930
	Gross Combined Mass ² (GCM) (kg)	5200	5280	5250	5360	5650	5650	5650	5650
Towing capacity³	With trailer brakes (kg) – manual / automatic	2500 / 2500	2500 / -	2500 / 2500	2500 / -	- / 2800	- / 2800	2800 / 2800	- / 2800
	Without trailer brakes (kg)	750	750	750	750	750	750	750	750
Seating	Capacity	2	2	5	5	4	5	5	5
Fuel Tank	Capacity (L)	80	80	80	80	80	80	80	80
Steering System	Steering Gear Type	Rack and Pinion							
Brake System	System	Vacuum boosted hydraulic system							
	Front / Rear	Ventilated disc brake with floating single piston caliper / Leading-trailing drum brake							
Suspension	Front / Rear	Double wishbone / Leaf spring rigid axle							
Wheels and Tyres	Wheels	16 x 6J	16 x 6J	16 x 6J	16 x 6J	17 x 7.5J	17 x 7.5J	17 x 7.5J	18 x 7.5J
	Tyres	215/65R16C 106/104S	215/65R16C 106/104S	215/65R16C 106/104S	215/65R16C 106/104S	265/65R17 112S	265/65R17 112S	265/65R17 112S	265/60R18 110H
HiLux – 4x2 and Hi-Rider		WorkMate				SR			SR5
Body Type		Single-Cab		Double-Cab		Extra-Cab	Double-Cab		Double-Cab
Exterior	Body colour front bumper					•	•	•	
	Chrome step type rear bumper								•
	Multi-reflector headlamps	•		•		•	•	•	•
	Front LED fog lamps								•
	LED headlamps with auto-levelling (Low beam only)								•
	LED Daytime Running Lamps (DRLs)								•
	Halogen DRLs	•		•		•	•	•	
	Privacy glass								•
	Side steps (Hi-Rider only)					•	•	•	•
	Stainless steel sports bar								•
	Rear access door					•			

HiLux – 4x2 and Hi-Rider		WorkMate		SR		SR5
Body Type		Single-Cab	Double-Cab	Extra-Cab	Double-Cab	Double-Cab
Interior	Standard fabric seat	•	•			
	Premium fabric seat			•	•	•
	Premium gear knob and steering wheel					•
	Large colour Multi Information Display (MID)					•
	Chrome interior door handles					•
	Durable vinyl floor covering	•	•	•	•	
	Floor carpet					•
	Front air conditioned cooler box			•	•	•
Seating	Driver's bucket seat (Basic)	•	•			
	Driver's bucket seat (High grade)			•	•	•
	60/40 split rear seat				•	•
	Front passengers bucket seat (Basic)	•	•			
	Front passengers bucket seat (High grade)			•	•	•
Features	Air conditioning manual	•	•	•	•	
	Climate control air conditioning					•
	Rear air vents					•
	Power front windows	•	•	•	•	•
	Power rear windows	N/A	•	N/A	•	•
	Driver's automatic up/down window	•	•	•	•	•
	Smart entry and start system					•
	Heavy duty suspension and underbody package (Hi-Rider only)		•	•	•	•
	220V accessory socket					•
	Toyota Link ⁴			•	•	•
Instruments and Controls	Power steering	•	•	•	•	•
	Drive Mode (Not available on Single-Cab WorkMate m/t)	•	•	•	•	•
	Manual tilt steering column	•	•	•	•	•
	Telescopic steering column		•	•	•	•
	Cruise control	•	•	•	•	•
	Multi Information Display (MID) including trip computer			•	•	•
	Steering wheel switches with telephone and voice recognition			•	•	•
	Steering wheel mounted audio controls	•	•	•	•	•
	Power mirrors	•	•	•	•	•
	Power accessory socket	1	1	1	1	2
	Variable intermittent windscreen wipers					•
	Automatic transmission shift interlock	•	•	•	•	•
	Headlamps automatic on/off	•	•	•	•	•
	Trip meter	•	•	•	•	•
Lighting	Illuminated ignition switch	•	•	•	•	•
	Front personal lamp	•	•	•	•	•
Storage	Large glove box	•	•	•	•	•
	Front cup holder/s – in dash	•	•	•	•	•
	Rear cup holders – in centre console		•		•	•
	Front door pockets	•	•	•	•	•
	Centre console box with lid			•	•	•

HiLux – 4x2 and Hi-Rider		WorkMate		SR		SR5
Body Type		Single-Cab	Double-Cab	Extra-Cab	Double-Cab	Double-Cab
Audio	6.1" colour touchscreen display with CD player and AM/FM tuner	.	.			
	7" colour touchscreen display with CD player and AM/FM tuner			.	.	.
	Satellite navigation ⁵ and DAB+ digital radio ⁶					.
	3.5" AUX input for portable audio players ⁷
	USB input for some iPod ⁸ /USB memory sticks ⁷
	Bluetooth ⁹ connectivity
	Number of speakers	2	2	4	6	6
	Roof mounted antenna
Safety	Anti-lock Braking System (ABS)
	Vehicle Stability Control (VSC)
	Traction Control (TRC)
	Electronic Brake-force Distribution (EBD)
	Brake Assist ¹⁰ (BA)
	Reversing camera ¹⁰ (Pick-Up only)	
	Hill-start Assist Control ¹⁰
	Emergency Stop Signal (ESS)
	Driver and front passenger SRS airbags
	Seat mounted driver and front passenger side SRS airbags
	Driver and front passenger seatbelt warning buzzer
	Driver and front passenger pre-tensioner seatbelt
	3-point seatbelt for rear outer seating positions	N/A
	3-point seatbelt for rear centre position	N/A	.	N/A	.	.
	Door ajar warning light
	Front door anti-intrusion beams
	Collapsible steering column
	Engine immobiliser
Security	Alarm					.
	Power door locks
	Remote keyless entry
	Lockable glove box

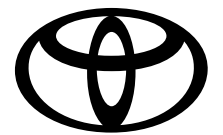
- 1 Power and torque test standards differ. Ensure comparisons use same test standard.
- 2 Vehicle weights/mass and dimensions are approximate and subject to individual vehicle variances. Vehicles should be individually weighed and measured before fitting any accessories, towing or designing any compatible trailer/caravan or otherwise using the vehicle in any way that depends on this value.
- 3 Towing capacity is subject to regulatory requirements, towbar and vehicle design and towing equipment limitations. Ask your Dealer for Toyota Genuine Towbar capacity and availability details.
- 4 Toyota Link is available on certain vehicle models and grades only. Toyota Link services rely on data from the driver's compatible

- 5 mobile phone and information provided by third parties. Availability is dependent on a number of factors, including the availability of third party information, mobile service, sufficient mobile data allowance and GPS satellite signal reception. Mobile usage is at the user's cost. Toyota Australia reserves the right to add, remove or modify applications. Compatibility with smartphones will vary according to model and operating system. Further information (including smartphone compatibility) is provided at toyota.com.au/toyotalink
- 6 Digital radio station coverage dependent on vehicle location.
- 7 Not all devices will be compatible. Functionality varies depending on device.
- 8 iPod® is a trademark of Apple, Inc. Not all devices will be compatible and functionality will vary depending on the device.
- 9 The Bluetooth® word mark is owned by Bluetooth SIG, Inc. Not all devices will be compatible and functionality.
- 10 Brake Assist/Reversing camera/Hill-start Assist Control is a driver assist feature only and not a substitute for safe driving practices. Driver remains responsible at all times for safe driving.

IMPORTANT NOTICE – PLEASE READ: Toyota Australia uses its best endeavours to ensure material is correct when published. Check with your authorised Toyota dealer when ordering to ensure the vehicle with your chosen specifications, equipment and colour is available and can be delivered within the timeframe suitable to you. When ordering accessories, check with your authorised Toyota dealer to ensure the accessory's design, features and colours are available and fit your vehicle. Ensure the mass of your load does not exceed the maximum allowable individual axle capacity,

Gross Vehicle Mass and/or Gross Combined Mass of the vehicle. Refer to toyota.com.au for further details. Colours displayed are a guide only and may vary from actual colours due to printing/display processes. Certain accessories when fitted will require the removal of standard equipment, which may be retained by Toyota Australia or your Toyota dealer. Toyota Australia reserves the right to change, without notice, prices, colours, materials, equipment, specifications and discontinue colours/models. To the extent permitted by law, Toyota Australia will not be liable for any

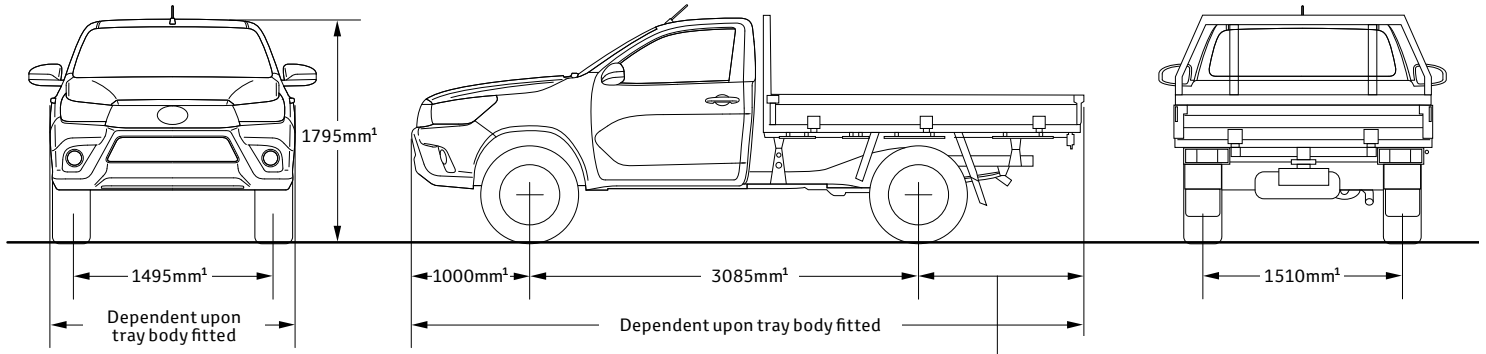
damage, loss or expense incurred as a result of reliance on this material in anyway. Distributed nationally (other than in Western Australia) by Toyota Motor Corporation Australia Limited ABN 62 000 000 000 or on behalf of Prestige Motors Pty Ltd (for vehicles) and by Eastpoint Pty Ltd (for parts/accessories). Toyota Australia makes no warranties regarding (and will not be liable for) accuracy of materials distributed in Western Australia. PROOF HQ: T2017-008201, OCTOBER 2017. GTO1869.



TOYOTA

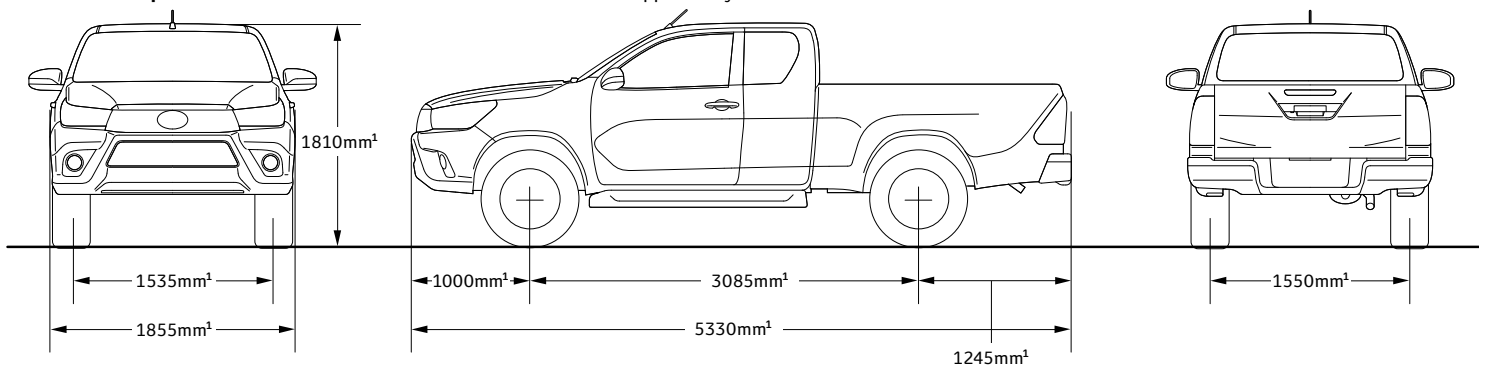
HiLux 4x4

Single-Cab Cab-Chassis

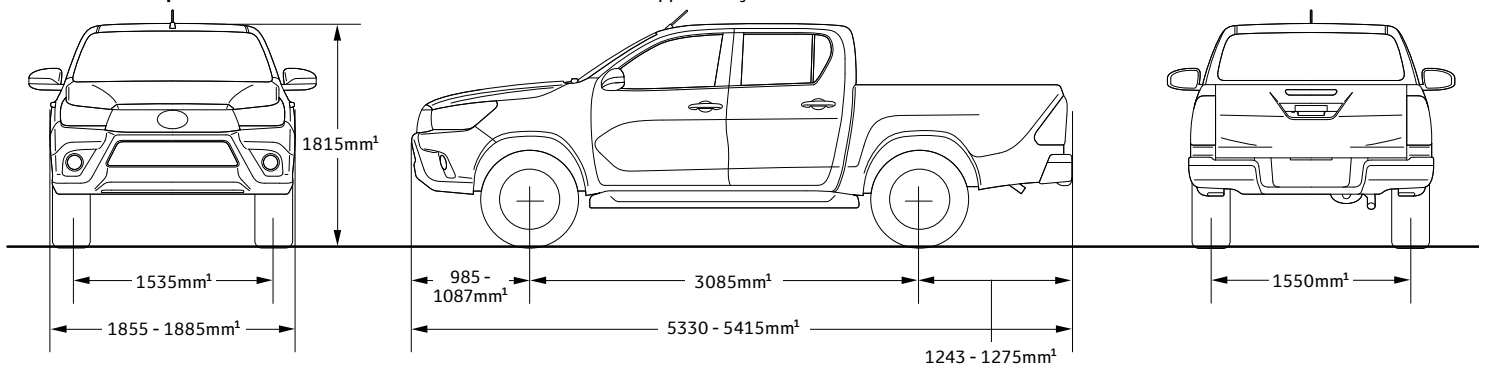


Extra-Cab Pick-Up – Cab-Chassis available on selected models. See table for applicability and dimensions.

Dependent upon tray body fitted



Double-Cab Pick-Up – Cab-Chassis available on selected models. See table for applicability and dimensions.



HiLux – 4x4		2.4L turbo diesel		2.8L turbo diesel	
Applicability		4x4		4x4	
Engine	Name	2GD-FTV		1GD-FTV	
	Displacement (cm ³)	2393		2755	
	Max power ² (kW@rpm)	110@3400		130@3400	
	Max torque ² (Nm@rpm)	400@1600-2000		420@1400-2600 M/T, 450@1600-2400 A/T	
	Valve train	16-valve DOHC		16-valve DOHC	
	Fuel system	Fuel injection with common rail		Fuel injection with common rail	
	Fuel capacity (L)	80		80	
	Bore x stroke (mm)	92.0 x 90.0		92.0 x 103.6	
	Compression ratio	15.6:1		15.6:1	
Transmission	Type	Manual	Automatic	Manual	Automatic
	Number of ratios	6-speed	6-speed	6-speed	6-speed
	Ratios	1st 4.784; 2nd 2.423; 3rd 1.443; 4th 1.000; 5th 0.777; 6th 0.643; Rev 4.066	1st 3.600; 2nd 2.090; 3rd 1.488; 4th 1.000; 5th 0.687; 6th 0.580; Rev 3.732	1st 4.784; 2nd 2.423; 3rd 1.443; 4th 1.000; 5th 0.826; 6th 0.643; Rev: 4.066	1st 3.600; 2nd 2.090; 3rd 1.488; 4th 1.000; 5th 0.687; 6th 0.580 Rev 3.732
	Differential ratio (rear)	3.583	4.100	3.583	3.909

Drivetrain		4x4													
Body Type		Single-Cab		Extra-Cab			Double-Cab								
Grade		WorkMate	SR	WorkMate	SR	SR5	WorkMate		SR		SR5	Rogue	Rugged	Rugged X	
Engine		Turbo diesel	Turbo diesel	Turbo diesel	Turbo diesel	Turbo diesel	Turbo diesel	Turbo diesel	Turbo diesel	Turbo diesel	Turbo diesel	Turbo diesel	Turbo diesel	Turbo diesel	
Tray Type		Cab-Chassis	Cab-Chassis	Cab-Chassis	Cab-Chassis	Pick-Up	Cab-Chassis	Pick-Up	Cab-Chassis	Pick-Up	Pick-Up	Pick-Up	Pick-Up	Pick-Up	
Mechanical	2.4L turbo diesel	•		•			•	•							
	2.8L turbo diesel		•		•	•			•	•	•	•	•	•	
	6-speed manual transmission	•	•		•			•	•	•			•		
	6-speed automatic transmission		•	•	•	•	•	•	•	•	•	•	•	•	
	6-speed intelligent Manual Transmission (i-MT)										•			•	
Dimensions and Vehicle Weights															
Overall	Length / Width / Height ¹ (mm)	- / - / 1795	- / - / 1795	- / - / 1810	- / - / 1810	5330 / 1855 / 1810	- / - / 1815	5330 / 1855 / 1815	- / - / 1815	5330 / 1855 / 1815	5330 / 1855 / 1815	5345 / 1855 / 1815	5415 / 1885 / 1815	5350 / 1885 / 1815	
	Wheelbase ¹ (mm)	3085	3085	3085	3085	3085	3085	3085	3085	3085	3085	3085	3085	3085	
	Track – front / rear ¹ (mm)	1495 / 1510	1495 / 1510	1535 / 1550	1535 / 1550	1535 / 1550	1535 / 1550	1535 / 1550	1535 / 1550	1535 / 1550	1535 / 1550	1535 / 1550	1535 / 1550	1535 / 1550	
	Overhang – front / rear ¹ (mm)	1000 / -	1000 / -	1000 / -	1000 / -	1000 / 1245	1000 / -	1000 / 1245	1000 / -	1000 / 1245	1000 / 1245	1000 / 1245	985 / 1275	1087 / 1243	1022 / 1243
Weight (Approximate)	Kerb weight manual ¹ (kg)	1775	1795		1890			2045	1955	2050	2040		2238	2252	
	Kerb weight automatic ¹ (kg)		1795	1890	1895	2045	1915	2045	1955	2045	2045	2174	2238	2252	
	Gross Vehicle Mass ¹ (GVM) (kg)	3000	3000	3000	3050	3050	3000	3000	3000	3000	3000	3000	3000	3000	
	Gross Combined Mass ¹ (GCM) (kg)	5850 (MT)	5850 (MT) / 5650 (AT)	5650 (AT)	5850 (MT) / 5650 (AT)	5650 (AT)	5650 (AT)	5850 (MT) / 5650 (AT)	5850 (MT) / 5650 (AT)	5850 (MT) / 5650 (AT)	5850 (MT) / 5650 (AT)	5850 (MT) / 5650 (AT)	5650 (AT)	5850 (MT) / 5650 (AT)	5850 (MT) / 5650 (AT)
Towing capacity ³	With trailer brakes (kg) – manual / automatic	3200 / -	3500 / 3200	- / 3000	3500 / 3200	- / 3200	- / 3000	3200 / 3000	3500 / 3200	3500 / 3200	3500 / 3200	- / 3200	3500 / 3200	3500 / 3200	
	Without trailer brakes (kg)	750	750	750	750	750	750	750	750	750	750	750	750	750	
Seating	Capacity	2	2	4	4	4	5	5	5	5	5	5	5	5	
Steering System	Steering Gear Type	Rack and Pinion													
Brake System	System	Vacuum boosted hydraulic system													
	Front / Rear	Ventilated disc brake with floating single piston caliper / Leading-trailing drum brake													
Suspension	Front / Rear	Double wishbone / Leaf spring rigid axle													
Wheels and Tyres	Wheels	17 x 6J	17 x 6J	17 x 7.5J	17 x 7.5J	18 x 7.5J	17 x 7.5J	17 x 7.5J	17 x 7.5J	17 x 7.5J	17 x 7.5J	18 x 7.5J	18 x 7.5J	17 x 7.5J	17 x 7.5J
	Tyres	225/70 R17C 108/106S	225/70 R17C 108/106S	265/65 R17 112S	265/65 R17 112S	265/60 R18 110H	265/65 R17 112S	265/65 R17 112S	265/65 R17 112S	265/65 R17 112S	265/65 R17 112S	265/60 R18 110H	265/60 R18 110H	265/65 R17 112S	265/65 R17 112S

HiLux – 4x4		WorkMate			SR			SR5		Rogue	Rugged	Rugged X	
Body Type		Single-Cab	Extra-Cab	Double-Cab	Single-Cab	Extra-Cab	Double-Cab	Extra-Cab	Double-Cab	Double-Cab	Double-Cab	Double-Cab	
Exterior	Body colour front bumper				•	•	•	•	•	•			
	Chrome step type rear bumper							•	•				
	Multi-reflector headlamps	•	•	•	•	•	•	•	•	•	•	•	
	Front LED fog lamps							•	•	•			
	LED headlamps with auto-levelling (Low beam only)							•	•	•		•	
	LED Daytime Running Lamps (DRLs)							•	•	•		•	
	Halogen DRLs	•	•	•	•	•	•				•		
	LED light bar												•
	Spread beam driving lights												•
	Privacy glass							•	•	•			•
	Chrome door handles							•	•				
	Side steps				•	•	•	•	•	•			
	Stainless steel sports bar							•	•				
	Rear access door		•			•		•					
	Body side mouldings											•	•
	Wheel arch mouldings											•	•
	Rock rails											•	•
	Black functional sports bar with recreational attachment points										•	•	•
	Heavy duty rear bumper											•	•
	Rear bumper cover										•		
	Marine grade carpet tub liner										•		
	Hard tonneau cover with dust defence kit										•		
	Hoopless steel front bullbar with bash plate (winch compatible)												•
	Premium steel bullbar											•	
	Recovery points – front												•
	Recovery points – rear											•	•
	Black tailgate handle										•	•	•
	Gloss black door handles										•		•
	Tail lamp garnish												•
	Tub tray with tailgate protection											•	•
	Gloss black mirror scalps										•		•
	Snorkel											•	•
Tow bar										•	•	•	
Tow ball and tongue										•	•	•	
Trailer wiring harness (7 pin flat)										•	•	•	
Interior	Standard fabric seat	•	•	•									
	Premium fabric seat				•	•	•	•	•		•		
	Leather accented interior (perforated)									•		•	
	Premium gear lever and steering wheel							•	•	•		•	
	Large colour Multi Information Display (MID)							•	•	•		•	
	Durable vinyl floor covering	•	•	•	•	•	•				•		
	Floor carpet							•	•	•		•	
	All-weather floor mats – front and rear										•	•	
	Carpet floor mats - front and rear									•			
	Front air conditioned cooler box				•	•	•	•	•	•	•	•	
	Gloss black door trim									•		•	

HiLux – 4x4		WorkMate			SR			SR5		Rogue	Rugged	Rugged X
Body Type		Single-Cab	Extra-Cab	Double-Cab	Single-Cab	Extra-Cab	Double-Cab	Extra-Cab	Double-Cab	Double-Cab	Double-Cab	Double-Cab
Audio	6.1" colour touchscreen display with CD player and AM/FM tuner	.	.	.								
	7" colour touchscreen display with CD player and AM/FM tuner			
	Satellite navigation ⁵ and DAB+ digital radio ⁶						Optional
	3.5" AUX input for portable audio players ⁷
	USB input for some iPod®/USB memory sticks ⁷
	Bluetooth® ⁹ connectivity
	Number of speakers	2	2	2	2	4	6	4	6	6	6	6
	Roof mounted antenna
Safety	Anti-lock Braking System (ABS)
	Vehicle Stability Control (VSC)
	Traction Control (TRC)
	Electronic Brake-force Distribution (EBD)
	Brake Assist (BA)
	Reversing camera (Pick-Up only)		
	Hill-start Assist Control
	Downhill Assist Control (Pick-Up only)						Auto Only	Auto Only	Auto Only	Auto Only		.
	Emergency Stop Signal (ESS)
	Driver and front passenger SRS airbags
	Seat mounted driver and front passenger side SRS airbags
	Driver and front passenger seatbelt warning buzzer
	Driver and front passenger pre-tensioner seatbelt
	3-point seatbelt for rear outer seating positions	N/A	.	.	N/A
	3-point seatbelt for rear centre position	N/A	N/A	.	N/A	N/A	.	N/A
	Door ajar warning light
	Front door anti-intrusion beams
	Collapsible steering column
Rear differential lock				
Engine immobiliser	
Security	Alarm							
	Power door locks	
	Remote keyless entry	
	Lockable glove box	

- Vehicle weights/mass and dimensions are approximate and subject to individual vehicle variances. Vehicles should be individually weighed and measured before fitting any accessories, towing or designing any compatible trailer/caravan or otherwise using the vehicle in any way that depends on this value.
- Power and torque test standards differ. Ensure comparisons use same test standard.
- Towing capacity is subject to regulatory requirements, towbar and vehicle design and towing equipment limitations. Ask your Dealer for Toyota Genuine Towbar capacity and availability details.
- Toyota Link is available on certain vehicle models and grades only. Toyota Link services rely on data from the driver's compatible

- mobile phone and information provided by third parties. Availability is dependent on a number of factors, including the availability of third party information, mobile service, sufficient mobile data allowance and GPS satellite signal reception. Mobile usage is at the user's cost. Toyota Australia reserves the right to add, remove or modify applications. Compatibility with smartphones will vary according to model and operating system. Further information (including smartphone compatibility) is provided at toyota.com.au/toyotalink
- Current navigation mapping database encompasses major capital and primary national road networks and offers some coverage in regional areas. Available on SR5, Rogue, Rugged and Rugged X.

- Digital radio station coverage dependent on vehicle location.
- Not all devices will be compatible. Functionality varies depending on device.
- iPod® is a trademark of Apple, Inc. Not all devices will be compatible and functionality will vary depending on the device.
- The Bluetooth® word mark is owned by Bluetooth SIG, Inc. Not all devices will be compatible and functionality.

IMPORTANT NOTICE – PLEASE READ: Toyota Australia uses its best endeavours to ensure material is correct when published. Check with your authorised Toyota dealer when ordering to ensure the vehicle with your chosen specifications, equipment and colour is available and can be delivered within the timeframe suitable to you. When ordering accessories, check with your authorised Toyota dealer to ensure the accessory's design, features and colours are available and fit your vehicle. Ensure the mass of your load does not exceed the maximum allowable individual axle capacity,

Gross Vehicle Mass and/or Gross Combined Mass of the vehicle. Refer to toyota.com.au for further details. Colours displayed are a guide only and may vary from actual colours due to printing/display processes. Certain accessories when fitted will require the removal of standard equipment, which may be retained by Toyota Australia or your Toyota dealer. Toyota Australia reserves the right to change, without notice, prices, colours, materials, equipment, specifications and discontinue colours/models. To the extent permitted by law, Toyota Australia will not be liable for any

damage, loss or expense incurred as a result of reliance on this material in anyway. Distributed nationally (other than in Western Australia) by Toyota Motor Corporation Australia Limited ABN 64 009 686 097, 155 Bertie St, Port Melbourne 3207. Material distributed in Western Australia by or on behalf of Prestige Motors Pty Ltd (for vehicles) and by Eastpoint Pty Ltd (for parts/accessories). Toyota Australia makes no warranties regarding (and will not be liable for) accuracy of materials distributed in Western Australia. PROOF HQ: T2018-009732. GTO1899. APRIL 2018.