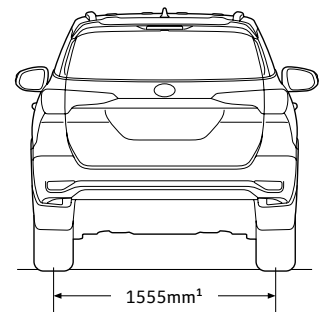
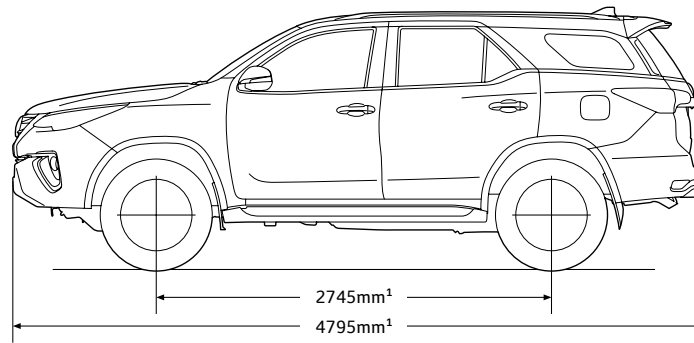
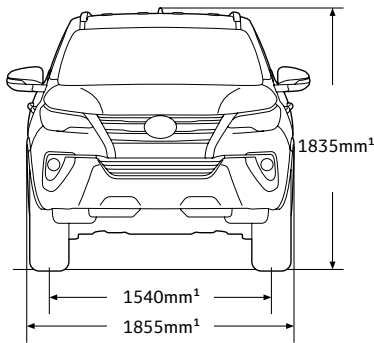


TOYOTA

Fortuner



MECHANICAL SPECIFICATIONS			6-speed Automatic		
			GX	GXL	Crusade
Engine	Engine Name		1GD-FTV		
	Number of cylinders and arrangement		4-cylinder, in-line		
	Valve mechanism		16V, DOHC, chain drive		
	Bore x stroke		92.0 x 103.6		
	Displacement (cm ³)		2755		
	Compression ratio		15.6:1		
	Fuel system		Common-rail		
	Maximum output (kW@rpm ²)		130 @ 3400 ²		
	Maximum torque (Nm@rpm) ²		450 @ 1600 to 2400 ²		
	Fuel consumption ³ (L/100km)	Combined	8.6		
		Urban	11		
Extra-urban		7.3			
CO ₂ emission ⁴ (g/km)		228			
Transmission	Type		AC60F		
	Gear ratios		1st 3.600; 2nd 2.090; 3rd 1.488; 4th 1.000; 5th 0.687; 6th 0.580; Reverse 3.732		
Steering	Type		Power Assisted Hydraulic		
Brakes	Brake type	Front	Ventilated Disc		
		Rear	Ventilated Disc		
Weight (Approximate)	Kerb weight (kg) ¹		2110	2105	2135
	Gross Vehicle Mass (kg) ¹		2750	2750	2750
Capacities	Towing capacity ⁵	Unbraked (kg)	750		
		Braked (kg)	2800		
	Fuel tank capacity (L)		80		

FORTUNER MODEL		GX	GXL	Crusade
Exterior	Full size spare wheel	Steel	Steel	Alloy
	Power back door			•
	Privacy glass		•	•
	LED Daytime Running Lamps (DRLs), LED headlamps, LED fog lamps			•
	Halogen headlamps	•	•	
	Halogen fog lamps		•	
	Chrome radiator grille, backdoor garnish and exterior handles		•	•
	Roof rails		•	•
	Side steps	•	•	•
	Front and rear mudguards	•	•	•
	Body coloured retractable exterior mirrors	•	•	•
Interior	Door courtesy lamps			•
	Leather accented interior		OPT	•
	Woodgrain-look instrument panel highlights			•
	Premium steering wheel and gear lever		•	•
	Premium brake lever			•
	Chrome interior door handles	•	•	•

FORTUNER MODEL		GX	GXL	Crusade
Seating	8-way power adjustable driver's seat		OPT	•
	4-way adjustable passenger and 6-way adjustable driver's sports front seats	•	•	
	60/40 tip and tumble 2nd row seats	•	•	•
	Split side stowable 3rd row seats	•	•	•
Features	Soft touch console box lid			•
	Eco meter and eco zone display	•	•	•
	Drive mode select	•	•	•
	220V accessory connector			•
	Automatic Climate Control air conditioning			•
	Front and rear air conditioning	•	•	•
	Clean air filter	•	•	•
	Front air conditioned cooler box	•	•	•
	Rear differential lock	•	•	•
	Paddle shifters		•	•
	Smart entry and start system		•	•
	Dot type Multi Information Display (MID)	•		
	4.2" colour Multi Information Display (MID)		•	•
	Meter illumination control		•	•
	Power windows (Driver auto up/down)	•		
	Power windows (All auto up/down)		•	•
	Intermittent time adjustable wipers	•	•	•
	2 x ISOFIX and 3 x top tether anchors for the 2nd row seats	•	•	•
	3 x 12V accessory socket	•	•	•
	Audio, phone, voice recognition and MID steering wheel switch	•	•	•
	Satellite navigation ⁶		•	•
	Toyota Link ⁷	•	•	•
	Manual headlamp levelling	•	•	
Automatic headlamp levelling			•	
Automatic headlamps (light sensitive)	•	•	•	
Instruments and Controls	Drive mode select (ECO and Power)	•	•	•
	Soft touch instrument panel	•	•	•
	Manual tilt shift and telescopic steering wheel	•	•	•
	Diesel Particulate Filter (forced burn off) switch	•	•	•
Storage	Front and rear cup holders and bottle holders	•	•	•
	Console box	•	•	•
Sound System	6 speakers	•	•	
	11 JBL ^{®8} speaker system			•
	USB and AUX jack ⁹	•	•	•
	7" display audio screen	•	•	•
	AM, FM, CD, Bluetooth ¹⁰	•	•	•
	Voice recognition	•	•	•
Safety	Digital radio (DAB) ¹¹		•	•
	3-point seatbelts with Emergency Locking Retractor	•	•	•
	Reversing camera and reverse parking sensors	•	•	•
	Anti-lock Braking System (ABS)	•	•	•
	Vehicle Stability Control (VSC)	•	•	•
	Hill-start Assist Control (HAC)	•	•	•
	Downhill Assist Control (DAC)		•	•
	Electronic Brake-force Distribution (EBD)	•	•	•
	Trailer Sway Control (TSC)	•	•	•
	Emergency stop signal	•	•	•
7 SRS airbags	•	•	•	

1 Vehicle weights/mass and dimensions are approximate and subject to individual vehicle variances. Vehicles should be individually weighed and measured before fitting any accessories, towing or designing any compatible trailer/caravan or otherwise using the vehicle in any way that depends on this value.

2 Power and torque test standards differ. Ensure comparisons use same test standard.

3 Achieved in test conditions. Actual fuel consumption may vary depending on driving conditions/style, vehicle condition and options/accessories fitted. Fuel consumption data provided for comparison purposes only. Source: ADR81/02 combined/urban/extra urban (L/100km) for auto models.

4 Emissions vary depending on driving conditions/style, vehicle conditions and options/accessories

5 Towing capacity is subject to regulatory requirements, vehicle design and towing equipment limitations. Ask your Dealer for Toyota Genuine tow bar capacity and availability details.

6 Current navigation mapping database encompasses major capital and primary national road networks and offers some coverage in regional areas

IMPORTANT NOTICE – PLEASE READ: Toyota Australia uses its best endeavours to ensure material is correct when published. Check with your authorised Toyota Dealer when ordering to ensure the vehicle with your chosen specifications, equipment and colour is available and can be delivered within the timeframe suitable to you. When ordering accessories, check with your authorised Toyota Dealer to ensure the accessory's design, features and colours are available and fit your vehicle. Ensure the mass of your load does not exceed the maximum allowable individual axle capacity, Gross Vehicle Mass and/or Gross Combined Mass of the vehicle. Refer to toyota.com.au for further details. Colours displayed are a guide only and may vary from actual colours due to printing/display processes. Certain accessories when fitted will require the removal of standard equipment, which may be retained

7 Toyota Link is available on certain vehicle models and grades only. Toyota Link services rely on data from the driver's compatible mobile phone and information provided by third parties. Availability is dependent on a number of factors, including the availability of third party information, mobile service, sufficient mobile data allowance and GPS satellite signal reception. Mobile usage is at the user's cost. Toyota Australia reserves the right to add, remove or modify applications. Compatibility with smartphones will vary according to model and operating system. Further information (including smartphone compatibility) is provided at toyota.com.au/toyotalink

8 JBL[®] is a registered trade mark of Harman International Industries, Incorporated.

9 Not all devices will be compatible. Functionality varies depending on device.

10 The Bluetooth[®] word mark is owned by Bluetooth SIG, Inc. Not all devices will be compatible and functionality varies depending on the device.

11 Digital radio station coverage dependent on vehicle location.

by Toyota Australia or your Toyota dealer. Toyota Australia reserves the right to change, without notice, prices, colours, materials, equipment, and specifications and discontinue colours/models. To the extent permitted by law, Toyota Australia will not be liable for any damage, loss or expense incurred as a result of reliance on this material in any way. Distributed nationally (other than in Western Australia) by Toyota Motor Corporation Australia Limited ABN 64 009 686 097, 155 Bertie St, Port Melbourne 3207. Material distributed in Western Australia by or on behalf of Prestige Motors Pty Ltd (for vehicles) and by Eastpoint Pty Ltd (for parts/accessories). Toyota Australia makes no warranties regarding (and will not be liable for) accuracy of materials distributed in Western Australia. PROOF HQ : 2018-010912. GTO1981. AUGUST 2018