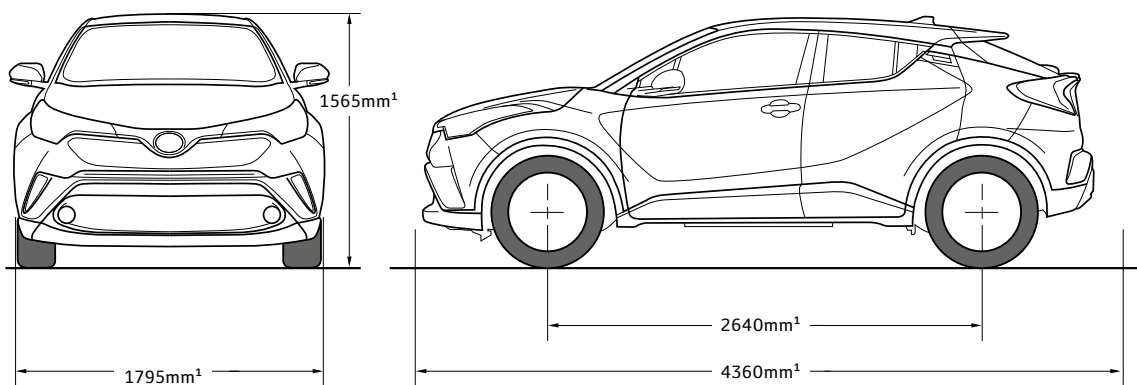


C-HR



MECHANICAL SPECIFICATIONS		C-HR
Engine	Engine code	8NR-FTS
	Engine description	1.2 litre 4-cylinder turbo petrol engine
	Displacement (cm ³)	1197
	Max power (kW/rpm)	85 @ 5,200-5,600
	Max torque (Nm/rpm)	185 @ 1,500-4,000
	Valve train	16-valve DOHC with VVT-i
	Bore x stroke (mm)	71.5 x 74.5
	Compression ratio	10.0 : 1
Fuel	Fuel system	D-4T (Direct Injection Turbo)
	Combined fuel economy ² – 1.2L turbo manual 2WD	6.3L/100km
	Combined fuel economy ² – 1.2L turbo auto CVT 2WD	6.4L/100km
	Combined fuel economy ² – 1.2L turbo auto CVT AWD	6.5L/100km
	Recommended fuel octane rating	95 or more
Steering	Steering system	Tilt and telescopic steering wheel
	Steering operation	Electronic Power Steering (EPS)
	Turning circle (curb to curb)	10.4m
Brakes	Brake control system	Anti-lock Braking System (ABS) with Electronic Brake-force Distribution (EBD) and Brake Assist (BA)
Suspension	Front	MacPherson Strut type
	Rear	Trailing arm double wishbone type

C-HR MODEL		C-HR	C-HR Koba
Transmission	Driveline	2WD, AWD	2WD, AWD
	6-speed manual	•	
	7-speed auto CVT	•	•
Capacities	Seating capacity	5	5
	Braking towing capacity ³ (manual)	1,100kg	
	Braking towing capacity ³ (auto CVT)	600kg	600kg
Exterior	Alloy wheels	17"	18"
	Temporary spare wheel	•	•
	LED fog lamps	•	•
	Halogen headlamps	•	
	LED headlamps		•
	LED Daytime Running Lamps (DRLs)	•	•
	Heated and electronically retractable side mirrors	•	•
	Rain sensing wipers	•	•

C-HR MODEL		C-HR	C-HR Koba
Interior	Premium gear knob and steering wheel	•	•
	Electronic Park Brake	•	•
	All auto power windows	•	•
	Auto-dimming rear view mirror	•	•
	Rear and rear side privacy glass	•	•
	Illuminated door trim	•	•
	Sporty fabric front seats	•	•
	Leather accented seats	•	•
	Heated front seats	•	•
	Power lumbar adjustment on driver's seat	•	•
60/40 split fold rear seats	•	•	
Instruments and controls	4.2" colour Multi Information Display (MID)	•	•
	Active Cruise Control (high speed on M/T, all speed on A/T)	•	•
	Smart entry and start system	•	•
	Steering wheel with audio, phone, MID and Toyota Safety Sense+ (TSS+) controls	•	•
	Dual-zone automatic air conditioning	•	•
	Nanoe [®] Air Conditioning Technology ⁴	•	•
Storage and convenience	Front and rear cup holders	•	•
	Front and rear bottle holders	•	•
	Glove box	•	•
	Lower tray	•	•
	Centre console box	•	•
	Front seat back pockets	•	•
	Illuminated vanity mirrors	•	•
	Sunvisors with vanity mirrors	•	•
Multimedia	6.1" colour touchscreen display	•	•
	Toyota Link ⁵	•	•
	Six speakers	•	•
	Bluetooth ^{®6} connectivity	•	•
	USB ⁷ input for portable audio players	•	•
	Voice recognition	•	•
	Satellite navigation ⁸ with SUNA [™] traffic channel ⁹	•	•
Safety	Toyota Safety Sense (with Lane Departure Alert, Automatic High Beam, Active Cruise Control and Pre-Collision Safety system with pedestrian detection, ¹⁰ including Forward Collision Warning, Brake Assist and Autonomous Emergency Braking)	•	•
	Front and rear parking sensors	•	•
	Blind Spot Monitor and Rear Cross Traffic Alert	•	•
	Reversing camera	•	•
	Vehicle Stability Control with Hill-start Assist Control and Traction Control	•	•
	Brake Hold Function	•	•
	Trailer Sway Control	•	•
	7 SRS airbags	•	•
	Three child restraint anchorage points	•	•
Security	Engine immobiliser	•	•

- Vehicle weights/mass and dimensions are approximate and subject to individual vehicle variances. Vehicles should be individually weighed and measured before fitting any accessories, towing or designing any compatible trailer/caravan or otherwise using the vehicle in any way that depends on this value.
- Results achieved in test conditions. Actual results may vary depending on driving conditions/style, vehicle condition and options/accessories fitted. Fuel consumption data provided for comparison purposes only. Source: ADR81/02 (L/100km).
- Towing capacity is subject to regulatory requirements, tow bar and vehicle design and towing equipment limitations. Ask your Dealer for Toyota Genuine tow bar capacity and availability details.
- Nanoe[®] is a trade mark owned by Panasonic Corporation.

- Toyota Link is available on certain vehicle models and grades only. Toyota Link services rely on data from the driver's compatible mobile phone and information provided by third parties. Availability is dependent on a number of factors, including the availability of third party information, mobile service, sufficient mobile data allowance and GPS satellite signal reception. Mobile usage is at the user's cost. Toyota Australia reserves the right to add, remove or modify applications. Compatibility with smartphones will vary according to model and operating system. Further information (including smartphone compatibility) is provided at toyota.com.au/toyotalink
- The Bluetooth[®] word mark is owned by Bluetooth SIG, Inc. Not all devices will be compatible and functionality varies depending on the device.
- Not all devices will be compatible. Functionality varies depending on device.

8 Current navigation mapping database encompasses major capital and primary national road networks and offers some coverage in regional areas.

9 SUNA[™] GPS Traffic Updates are only available in metropolitan Adelaide, Brisbane, Canberra, Gold Coast, Melbourne, Perth and Sydney; it operates from information provided by Intelomatics Australia and may not cover all road incidents and congestion. See sunatrafic.com.au for details.

10 Pre-Collision Safety system with pedestrian detection is a driver assist feature only and not a substitute for safe driving practices. Driver remains responsible at all times for safe driving. Pedestrians may not be detected in certain conditions including low and harsh light, where partially obstructed from view, where clothing or movement obscures or affects body contours, persons under 1 metre or over 2 metres tall and where carrying or pushing large objects.

IMPORTANT NOTICE – PLEASE READ: Toyota Australia uses its best endeavours to ensure material is correct when published. Check with your authorised Toyota Dealer when ordering to ensure the vehicle with your chosen specifications, equipment and colour is available and can be delivered within the timeframe suitable to you. When ordering accessories, check with your authorised Toyota Dealer to ensure the accessory's design, features and colours are available and fit your vehicle. Ensure the mass of your load does not exceed the maximum allowable individual axle capacity,

Gross Vehicle Mass and/or Gross Combined Mass of the vehicle. Refer to toyota.com.au for further details. Colours displayed are a guide only and may vary from actual colours due to printing/display processes. Certain accessories when fitted will require the removal of standard equipment, which may be retained by Toyota Australia or your Toyota Dealer. Toyota Australia reserves the right to change, without notice, prices, colours, materials, equipment, specifications and discontinue colours/models. To the extent permitted by law, Toyota Australia will not be liable for any

damage, loss or expense incurred as a result of reliance on this material in any way. Distributed nationally (other than in Western Australia) by Toyota Motor Corporation Australia Limited ABN 64 009 686 097, 155 Bertie St, Port Melbourne 3207. Material distributed in Western Australia by or on behalf of Prestige Motors Pty Ltd (for vehicles) and by Eastpoint Pty Ltd (for parts/accessories). Toyota Australia makes no warranties regarding (and will not be liable for) accuracy of materials distributed in Western Australia. PROOF HQ: T2018-010056. GTP1808. VERSION: AUGUST 2018.