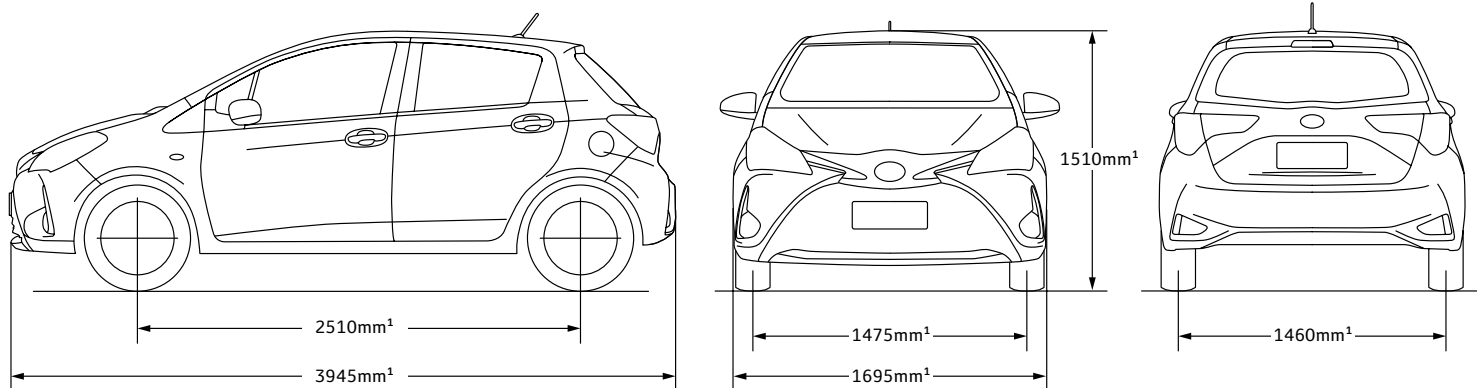


Yaris



MECHANICAL SPECIFICATIONS		Ascent	SX	ZR
Engine	Engine type	Petrol	Petrol	Petrol
	Engine description	1.3L VVT-i	1.5L VVT-i	1.5L VVT-i
	Valve train: Double Overhead Camshaft (DOHC) with 4 valves per cylinder	•	•	•
	Maximum power	63kW/6000rpm		
	Maximum power		80kW/6000rpm	80kW/6000rpm
	Maximum torque	120Nm/4600rpm		
	Maximum torque		141Nm/4400rpm	141Nm/4400rpm
Fuel	Fuel economy ² (M/T)	5.8L/100km	5.9L/100km	
	Fuel economy ² (A/T)	6.4L/100km		
Transmission	5-speed manual	•	•	
	4-speed automatic	•	•	•
Capacities	Seating capacity	5	5	5
	Fuel tank capacity (litres)	42	42	42
Wheels	15" steel wheels	•	•	
	15" alloy wheels			•
Exterior	Front fog lamps		•	•
	Body coloured electric door mirrors	•	•	•
	Body coloured door handles	•	•	•
	Rear spoiler			•
	Heated electric door mirrors			•
	Halogen headlamps	•	•	
	Bi-LED headlamps with auto-levelling			•
Interior	Tilt and telescopic steering column	•	•	•
	Sport front seats			•
	60/40 split fold rear seats	•	•	•

MECHANICAL SPECIFICATIONS		Ascent	SX	ZR
Interior <i>Continued</i>	Power windows (front and rear)	•	•	•
	3-spoke urethane steering wheel	•		
	Premium 3-spoke steering wheel		•	
	Premium 3-spoke sports steering wheel			•
	Front and rear cup holders	•	•	•
	Accessory socket (front)	•	•	•
	Dual level glove box	•	•	•
	Two-tier boot deck board	•	•	•
Instruments and Controls	Multi Information Display (MID)	•	•	•
	Cruise control	•	•	•
	Manual air conditioning	•	•	
	Automatic climate control air conditioning			•
	Steering wheel audio and Bluetooth® ³ phone controls	•	•	
	Steering wheel audio, Bluetooth® ³ and voice recognition phone controls		•	•
Multimedia	6.1" colour touchscreen display	•	•	•
	Bluetooth® ³ hands-free connectivity	•	•	•
	USB input for portable audio players and mobile phones ⁴	•	•	•
	AUX audio input for portable audio players ⁴	•	•	•
	6 speakers	•	•	•
	Satellite navigation ⁵ with SUNA™ ⁶ traffic channel		•	•
Safety	Vehicle Stability Control (VSC) and Traction Control (TRC)	•	•	•
	Anti-lock Braking System (ABS) with Electronic Brake-force Distribution (EBD) and Brake Assist (BA)	•	•	•
	7 SRS airbags	•	•	•
	Reversing camera	•	•	•
	Emergency Brake Signal	•	•	•
	Three child restraint anchorage points	•	•	•
	Toyota Safety Sense, including Lane Departure Alert (LDA), Automatic High Beam (AHB) and Pre-Collision Safety system (PCS) with pedestrian detection	Optional	Optional	•
Security	Engine immobiliser	•	•	•
	Wireless central locking	•	•	•

- 1 Weights/mass/volumes/dimensions are approximate and subject to individual vehicle variances, and should be confirmed before fitting any accessories, towing or otherwise relying on this value.
- 2 Achieved in test conditions for comparison purposes only. Actual fuel consumption varies depending on driving conditions/style, vehicle condition, load and options/accessories fitted. Source

IMPORTANT NOTICE—PLEASE READ: Toyota Australia uses its best endeavours to ensure material is accurate at the time of publishing. All information must be confirmed with your Toyota Dealer at the time of ordering, as specifications, applicability and availability may change over time. Colours depicted are a guide only and may vary from actual colours due to the printing/display process. Toyota Australia reserves the right to change and/

- ADR81/02 combined (L/100km) for manual/auto models.
- 3 Bluetooth® is a registered trademark of Bluetooth SIG. Compatibility and functionality varies depending on device. Not all devices will be compatible and functionality varies depending on the device.
- 4 Compatibility and functionality varies depending on device.

or discontinue, without notice, models, prices, colours, materials, equipment, specifications. To the extent permitted by law, Toyota Australia will not be liable for any damage or loss incurred from relying on the information and images contained in this material. Distributed nationally (other than in Western Australia) by Toyota Motor Corporation Australia Limited ABN 64 009 686 097. Material distributed in Western Australia by or on behalf of

- 5 Coverage varies based on vehicle location.
- 6 Service varies based on vehicle location. See sunattraffic.com.au

Prestige Motors Pty Ltd (for vehicles) and by Eastpoint Pty Ltd (for parts/accessories). Toyota Australia makes no warranties regarding (and will not be liable for) accuracy of materials distributed in Western Australia. PROOF HQ: T2019-011771. GTP1906. VERSION: APRIL 2019.