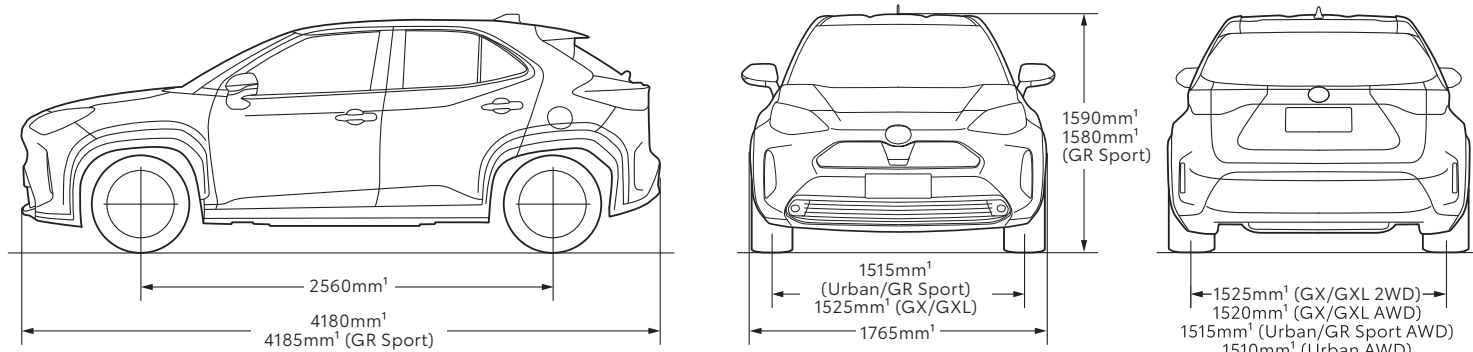


Yaris Cross



Please Note: information is accurate as at June 2024.

Specification and imagery are indicative and should only be used as a guide. Vehicle and accessory specification, features, colour and trim may differ at the time of vehicle delivery.



MECHANICAL SPECIFICATIONS			2WD	AWD
ENGINE	Engine code		M15A-FXE Toyota Hybrid Electric	
	Description		1.5L 3-cylinder Toyota Hybrid Electric System	
	Max power ² (kW)		85 (Combined hybrid)	
	Max torque ² (Nm)		120	
	CO ₂ emissions ³ (combined g/km)		86	90
FUEL	Fuel economy ⁴ (L/100km)	Combined	3.8	4.0
		Extra urban	4.2	4.3
		Urban	3.3	3.6
	Recommended fuel octane rating		91	
TRANSMISSION	Continuously Variable Transmission (Auto CVT)		•	•
BRAKES	Front		Ventilated disc brake	
	Rear		Solid disc brake	
	Brake control system		Anti-lock Braking System (ABS) with Vehicle Stability Control (VSC) and Brake Assist (BA)	
	Electronic Parking Brake		•	•
	Regenerative braking system		•	•
	Front and rear red brake calipers with GR logo		GR Sport only	
SUSPENSION	Suspension		MacPherson strut type front suspension and Torsion Beam rear suspension	MacPherson strut type front suspension and 2-link Double Wishbone rear suspension
	Front and rear GR Sport suspension package		GR Sport only	
WEIGHTS AND CAPACITIES (APPROXIMATE)	Braked towing capacity ⁵ (kg)		400 (excluding GR Sport)	400
	Unbraked towing capacity ⁵ (kg)		400 (excluding GR Sport)	400
	Vehicle kerb weight ¹ (kg)		1235 max	1305 max
	Gross vehicle weight ¹ (kg)		1650	1720
	Seating capacity		5	5
	Cargo capacity ¹ (VDA) (Max) (L)		390	314
	Fuel tank capacity ¹ (L)		36	36
WHEELS	Size		16" (GX and GXL) 18" (Urban) 18" unique GR Sport wheels	16" (GX and GXL) 18" (Urban)
	Spare wheel		Temporary spare wheel	Tyre repair kit
EXTERIOR	LED Daytime Running Lamps		•	•
	Halogen headlamps		GX only	GX only
	LED headlamps		Excluding GX	
	Rear LED fog lamps		•	•
	Auto-electronically retractable door mirrors		•	•
INTERIOR	Leather accented steering wheel		•	•
	Steering wheel with GR logo		GR Sport only	
	Heated front seats		Urban only	Urban only
	Fabric seats		•	•
	Black Ultrasuede™.6 with leather accented seats		GR Sport only	
	Front seat headrests with GR logo		GR Sport only	
	Rear and Rear Side Privacy Glass		GXL, Urban and GR Sport	GXL, Urban and GR Sport
	Front and rear power operation windows		•	•
40:20:40 split fold rear seats		•	•	

MECHANICAL SPECIFICATIONS		2WD	AWD
INSTRUMENTS AND CONTROLS	7" Multi Information Display	•	•
	Meter	Dual LCD digital	Dual LCD digital
	Head-Up Display	Urban only	Urban only
	Drive mode select	•	•
	Smart entry and start system	•	•
	Automatic climate control air conditioning	•	•
	nanoe™ ⁵ X air conditioning technology	Urban and GR Sport	Urban only
USB ⁷ charging point	Urban only	Urban only	
STORAGE AND CONVENIENCE	Centre console cup holders x 2	•	•
	Illuminated entry	•	•
	Front and rear door pocket bottle holder	•	•
MULTIMEDIA	8" colour touchscreen display	•	•
	Satellite navigation ⁸ with SUNA™ ⁹ traffic channel	GXL and Urban	GXL and Urban
	USB Type C	•	•
	Digital radio ¹⁰ (DAB)	•	•
	Bluetooth ¹¹ connectivity	•	•
	Voice recognition, Mobile Assistant, Siri ¹² Eyes Free and Miracast ¹³	•	•
	Wireless Apple CarPlay ¹² and wireless Android Auto™ ¹²	•	•
	6-speaker audio	•	•
Steering wheel controls for Multi Information Display (MID), telephone and audio	•	•	
TOYOTA CONNECTED SERVICES ¹⁴	Toyota Connected Services ¹⁴	1 year complimentary access ¹⁴	
	myToyota Connect ¹⁴ app	•	•
	Stolen Vehicle Tracking ^{15,16}	•	•
	Automatic Collision Notification ^{15,17}	•	•
	Cloud Navigation	•	•
	SOS Emergency Call ^{15,18}	•	•
SAFETY ¹⁹	Lane Trace Assist	•	•
	Pre-Collision Safety system with pedestrian (day and night) and cyclist (day) detection	•	•
	Intersection Collision Avoidance Support – day	•	•
	Road Sign Assist – speed signs only	•	•
	Automatic High Beam	•	•
	All-speed Active Cruise Control	•	•
	Blind Spot Monitor with Safe Exit Assist	GXL, Urban and GR Sport	GXL, Urban and GR Sport
	Rear Cross Traffic Alert	GXL, Urban and GR Sport	GXL, Urban and GR Sport
	Reversing camera with Back Guide Monitor	•	•
	Anti-lock Braking System and Brake Assist	•	•
	Vehicle Stability Control and Traction Control	•	•
	Hill-start Assist Control	•	•
	Active Cornering Assist	•	•
	8 SRS airbags – front, front side, front centre and curtain	•	•
	Seatbelt warning	•	•
	ISOFIX child restraint anchorage points – rear seats	•	•
Engine immobiliser	•	•	
Front and Rear parking Sensors with Parking Support Brake (PKSB)	GXL, Urban and GR Sport	GXL, Urban and GR Sport	

1 Weights/mass/volumes/dimensions are approximate and subject to individual vehicle variances, and should be confirmed before fitting any accessories, towing or otherwise relying on this value.

2 Power and torque test standards differ. Ensure comparisons use same test standard.

3 Results achieved for Yaris Cross in ADR81/02 combined drive cycle CO₂ testing. Results produced in laboratory test conditions, using sample vehicles without fitment of accessories/customisation, and do not reflect real world driving. Figures should only be used for comparative purposes.

4 Results achieved in ADR81/02 fuel consumption testing. Results produced in laboratory test conditions, using sample vehicles without fitment of accessories/customisation, and do not reflect real world driving. Figures should only be used for comparative purposes.

5 Towing capacity is subject to regulatory requirements, tow bar and vehicle design and towing equipment limitations. Ask your Dealer for Toyota Genuine tow bar capacity and availability details.

6 Product and company names are trademarks of their respective owners.

7 Compatibility and functionality varies depending on device.

8 Coverage varies based on vehicle location.

9 Service varies based on vehicle location. See sunatrafic.com.au

10 Coverage dependent on vehicle location.

11 Bluetooth[®] is a registered trademark of Bluetooth SIG, Inc.

12 CarPlay[®] and Siri[®] are trademarks of Apple, Inc. registered in the U.S. and other countries.

Android Auto™ is a trademark of Google LLC. Requires compatible device, USB connection or Bluetooth[®] connection for vehicles fitted with wireless Apple CarPlay[®] and Android Auto™, mobile data, network reception and GPS signal. Mobile usage at user's cost. Apps subject to change. For details see toyota.com.au/connected

IMPORTANT NOTICE – PLEASE READ:

Toyota Australia uses its best endeavours to ensure material is accurate at the time of publishing. All information must be confirmed with your Toyota Dealer at the time of ordering, as specifications, applicability and availability may change over time. Colours depicted are a guide only and may vary from actual colours due to the printing/display process. Toyota Australia reserves the right to change and/or discontinue, without notice, models, prices, colours, materials, equipment, specifications. To the extent permitted by law, Toyota Australia will not be liable for any damage or loss incurred

13 Compatibility and functionality varies depending on device. Only operates when vehicle is parked.

14 Connected Services complimentary period ends 1 year from delivery date. Fees may apply thereafter. See toyota.com.au/connected/plans-packages. Not available outside Australia, if services disabled or terminated, or after 2033/Telstra 4G sunset (whichever comes first). Dependent on 3G/4G enabled DCM, GPS signal strength, mobile network coverage and other factors outside Toyota's control which can limit ability or functionality of system. Requires compatible device and app installation, third party info and mobile data. Mobile usage at user's cost. Check toyota.com.au/connected or your Owner's Manual for explanation of limitations. Features subject to change. Please drive safely.

15 Driver assist feature only. Not a substitute for safe driving practices. Dependent on operational related components and other factors outside Toyota's control which can limit ability or functionality of system. Check your Owner's Manual for explanation of limitations. Please drive safely.

16 SVT – Owner/driver required to obtain Police report. Dependent on sufficient battery power. Vehicle location information, if available, only provided to Police. Vehicle recovery not guaranteed.

17 ACN – Only activates if vehicle's DCM detects airbag deployment or impact sensor notification.

18 SOS – Only operates if vehicle's SOS button is pressed and vehicle ignition is on.

19 Driver assist feature. Only operates under certain conditions. Check your Owner's Manual for explanation of limitations. Please drive safely.

from relying on the information and images contained in this material. Distributed nationally (other than in Western Australia) by Toyota Motor Corporation Australia Limited ABN 64 009 686 097. Material distributed in Western Australia by or on behalf of Prestige Motors Pty Ltd (for vehicles) and by Eastpoint Pty Ltd (for parts/accessories). Toyota Australia makes no warranties regarding (and will not be liable for) accuracy of materials distributed in Western Australia. PROOF HQ: T2024-020822. GTP-008061. VERSION: JUNE 2024.