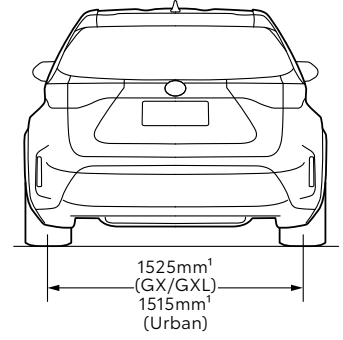
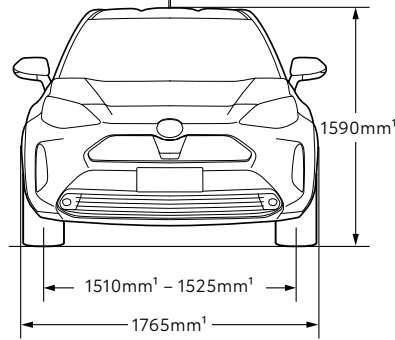
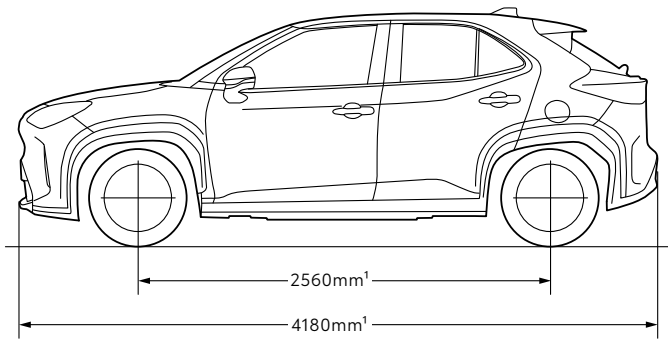


# Yaris Cross



MECHANICAL SPECIFICATIONS		Petrol 2WD	Hybrid 2WD	Hybrid AWD
<b>ENGINE</b>	Engine code	M15A-FKS	M15A-FXE	M15A-FXE
	Description	1.5L 3-cylinder Petrol	1.5L 3-cylinder Hybrid	1.5L 3-cylinder Hybrid
	Max power (kW)	88kW	85kW (Combined Hybrid)	85kW (Combined Hybrid)
	Max torque (Nm) <sup>2</sup>	145Nm	120Nm	120Nm
	CO <sub>2</sub> emissions (combined g/km) <sup>3</sup>	124	86	90
<b>FUEL</b>	Fuel economy <sup>4</sup> (combined)	5.4L/100km	3.8L/100km	4.0L/100km
	Recommended fuel octane rating	91	91	91
<b>TRANSMISSION</b>	Continuously Variable Transmission (Auto CVT)	•	•	•
<b>BRAKES</b>	Front	Ventilated disc brake		
	Rear	Solid disc brake		
	Brake control system	Anti-lock Braking System (ABS) with Vehicle Stability Control (VSC) and Brake Assist (BA)		
	Electronic Parking Brake	•	•	•
	Regenerative braking system		•	•
<b>SUSPENSION</b>	Suspension	MacPherson strut type front suspension and Torsion Beam rear suspension		MacPherson strut type front suspension and 2-link Double Wishbone rear suspension
<b>WEIGHTS AND CAPACITIES (APPROXIMATE)</b>	Braked towing capacity <sup>5</sup> (kg)	1250	400	400
	Unbraked towing capacity <sup>5</sup> (kg)	550	400	400
	Vehicle kerb weight <sup>1</sup> (kg)	1140 min 1185 max	1190 min 1235 max	1265 min 1305 max
	Gross vehicle weight <sup>1</sup> (kg)	1600	1650	1720
	Seating capacity	5	5	5
	Cargo capacity <sup>1</sup> (VDA) (Max) (L)	390	390	314
	Fuel tank capacity <sup>1</sup> (L)	42	36	36
<b>WHEELS</b>	Size	16" (GX and GXL) 18" (Urban)	16" (GX and GXL) 18" (Urban)	16" (GX and GXL) 18" (Urban)
	Spare wheel	Temporary spare wheel	Temporary spare wheel	Tyre repair kit
<b>EXTERIOR</b>	LED Daytime Running Lamps	•	•	•
	Halogen headlamps	GX only	GX only	GX only
	LED headlamps	•	•	•
	Rear LED fog lamps	•	•	•
	Auto-electronically retractable door mirrors	•	•	•
<b>INTERIOR</b>	Leather accented steering wheel	•	•	•
	Heated front seats	Urban	Urban	Urban
	Fabric seats	•	•	•
	Front and rear power operation windows	•	•	•
	40:20:40 split fold rear seats	•	•	•
<b>INSTRUMENTS AND CONTROLS</b>	4.2" Multi Information Display	•	•	•
	Meter	Dual LCD digital	Dual LCD digital	Dual LCD digital
	Head-Up Display	Urban	Urban	Urban
	Drive mode select	•	•	•

MECHANICAL SPECIFICATIONS		Petrol 2WD	Hybrid 2WD	Hybrid AWD
<b>INSTRUMENTS AND CONTROLS</b>	Paddle shift controls	•		
	Smart entry and start system	•	•	•
	Automatic climate control air conditioning	•	•	•
	USB <sup>6</sup> charging point	Urban	Urban	Urban
<b>STORAGE AND CONVENIENCE</b>	Centre console cup holders x 2	•	•	•
	Illuminated entry	•	•	•
	Front and rear door pocket bottle holder	•	•	•
<b>MULTIMEDIA</b>	7" colour touchscreen display	•	•	•
	Satellite navigation <sup>7</sup> with SUNA™ <sup>8</sup> traffic channel	GXL and Urban	GXL and Urban	GXL and Urban
	USB <sup>6</sup> input	•	•	•
	Digital radio <sup>9</sup> (DAB+)	•	•	•
	Bluetooth® <sup>10</sup> connectivity	•	•	•
	Voice recognition, Mobile Assistant, Siri® <sup>11</sup> Eyes Free, Miracast® <sup>12</sup> and myToyota	•	•	•
	Apple CarPlay® <sup>11</sup> and Android Auto™ <sup>13</sup>	•	•	•
	6-speaker audio	•	•	•
	Steering wheel controls for Multi Information Display (MID), telephone and audio	•	•	•
<b>TOYOTA CONNECTED SERVICES<sup>14</sup></b>	Toyota Connected Services <sup>14</sup>	3 years complimentary access <sup>14</sup>		
	myToyota Connect <sup>15</sup> app	•	•	•
	Stolen Vehicle Tracking <sup>16</sup>	•	•	•
	Automatic Collision Notification <sup>17</sup>	•	•	•
	SOS Emergency Call <sup>18</sup>	•	•	•
<b>SAFETY<sup>19</sup></b>	Lane Trace Assist	•	•	•
	Pre-Collision Safety system with pedestrian (day and night) and cyclist (day) detection	•	•	•
	Intersection Turn Assistance	•	•	•
	Road Sign Assist (speed signs only)	•	•	•
	Automatic High Beam	•	•	•
	All-speed Active Cruise Control	•	•	•
	Blind Spot Monitor	GXL and Urban	GXL and Urban	GXL and Urban
	Rear Cross Traffic Alert	GXL and Urban	GXL and Urban	GXL and Urban
	Reversing camera with Back Guide Monitor	•	•	•
	Anti-lock Braking System and Brake Assist	•	•	•
	Vehicle Stability Control and Traction Control	•	•	•
	Hill-start Assist Control	•	•	•
	Active Cornering Assist	•	•	•
	8 SRS airbags – front, front side, front centre and curtain	•	•	•
	Seatbelt warning	•	•	•
	ISOFIX child restraint anchorage points (rear seats)	•	•	•
Engine immobiliser	•	•	•	

- Weights/mass/volumes/dimensions are approximate and subject to individual vehicle variances, and should be confirmed before fitting any accessories, towing or otherwise relying on this value.
- Power and torque test standards differ. Ensure comparisons use same test standard.
- Emissions vary depending on driving conditions/style, vehicle condition and options/accessories fitted.
- Achieved in test conditions for comparison purposes only. Actual fuel consumption varies depending on driving conditions/style, vehicle condition, load and options/accessories fitted.
- Towing capacity is subject to regulatory requirements, tow bar and vehicle design and towing equipment limitations. Ask your Dealer for Toyota Genuine tow bar capacity and availability details.
- Compatibility and functionality varies depending on device.
- Coverage varies based on vehicle location.
- Service varies based on vehicle location. See [sunattraffic.com.au](http://sunattraffic.com.au)
- Coverage dependent on vehicle location.
- Bluetooth® is a registered trademark of Bluetooth SIG, Inc.
- CarPlay® and Siri® are trademarks of Apple, Inc. registered in the U.S. and other countries.
- Compatibility and functionality varies depending on device. Only operates when vehicle is parked.
- Android Auto™ is a trademark of Google LLC.
- Complimentary period ends 3 years from delivery date. Fees and charges may apply after expiry of complimentary period. Not available outside Australia or if services are disabled or terminated. Dependent on 3G/4G enabled DCM, GPS signal strength, mobile network coverage and other factors outside Toyota's control which can limit the ability or functionality of the system. Check your Owner's Manual for explanation of limitations. Please drive safely.

#### IMPORTANT NOTICE – PLEASE READ:

Toyota Australia uses its best endeavours to ensure material is accurate at the time of publishing. All information must be confirmed with your Toyota Dealer at the time of ordering, as specifications, applicability and availability may change over time. Colours depicted are a guide only and may vary from actual colours due to the printing/display process. Toyota Australia reserves the right to change and/or discontinue, without notice, models, prices, colours, materials, equipment, specifications. To the extent permitted by law, Toyota Australia will not be liable for any damage or loss incurred

- Requires activated DCM, compatible device and app installation, third party info, mobile data, network reception and GPS signal. Mobile usage at user's cost. Features subject to change. For details see [toyota.com.au/connected/connect-app](http://toyota.com.au/connected/connect-app)
- SVT – Not available outside Australia or if service is disabled or terminated. Dependent on sufficient battery power, 3G/4G enabled DCM, GPS signal strength, mobile network coverage, operational related components and other factors outside Toyota's control which can limit the ability or functionality of the system. Guest required to obtain Police report. Vehicle location information, if available, only provided to Police. Vehicle recovery not guaranteed. For details, visit [toyota.com.au/connected/faqs-support](http://toyota.com.au/connected/faqs-support)
- ACN – Driver assist feature only. Not a substitute for safe driving practices. Not available outside Australia or if service is disabled or terminated. Only activates if vehicle's DCM detects airbag deployment or an impact sensor notification. Dependent on 3G/4G enabled DCM, GPS signal strength, mobile network coverage, operational related components and other factors outside Toyota's control which can limit the ability or functionality of the system. Check your Owner's Manual for explanation of limitations. Please drive safely.
- SOS – Driver assist feature only. Not a substitute for safe driving practices. Not available outside Australia or if service is disabled or terminated. Only operates if vehicle's SOS button is pressed. Dependent on 3G/4G enabled DCM, GPS signal strength, mobile network coverage, operational related components and other factors outside Toyota's control which can limit the ability or functionality of the system. Check your Owner's Manual for explanation of limitations. Please drive safely.
- Driver assist feature. Only operates under certain conditions. Check your Owner's Manual for explanation of limitations. Please drive safely.

from relying on the information and images contained in this material. Distributed nationally (other than in Western Australia) by Toyota Motor Corporation Australia Limited ABN 64 009 686 097. Material distributed in Western Australia by or on behalf of Prestige Motors Pty Ltd (for vehicles) and by Eastpoint Pty Ltd (for parts/accessories). Toyota Australia makes no warranties regarding (and will not be liable for) accuracy of materials distributed in Western Australia. PROOF HQ: T2021-017599. GTP-005197. VERSION: NOVEMBER 2021.