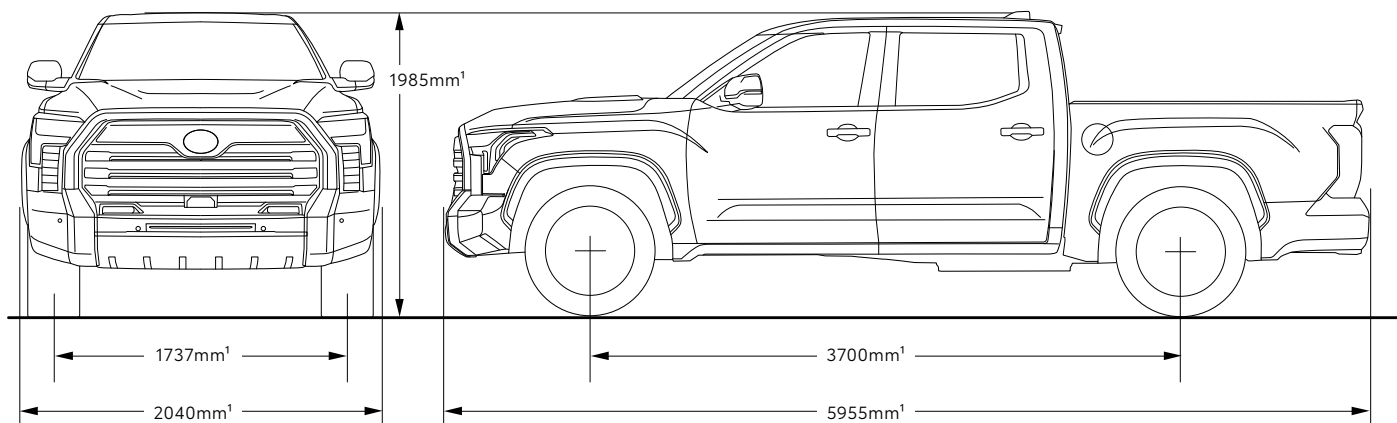


# Tundra



Please Note: information is accurate as at November 2024.

Specification and imagery are indicative and should only be used as a guide. Vehicle and accessory specification, features, colour and trim may differ at the time of vehicle delivery.



MECHANICAL SPECIFICATIONS		Tundra
ENGINE	Engine code	V35A-FTS
	Description	3.5L V6 twin turbo
	Displacement (cm <sup>3</sup> )	3445
	Engine power (kW)	290
	Engine torque (Nm)	649
	Motor power (kW)	36
	Motor torque (Nm)	250
	System power (kW)	326
	System torque (Nm)	790
DRIVETRAIN	Driveline	Part-time 4WD, electronic 2-speed transfer case
	Transmission	10-speed automatic
	Differential	Automatic limited-slip differential
WHEELS AND TYRES	Wheel	20"
	Tyres	265/60/R20 Bridgestone <sup>2</sup> tyres
	Spare tyre	18" space saver tyre

TUNDRA GRADE		Limited
WEIGHTS AND CAPABILITIES (APPROXIMATE)	Fuel capacity <sup>1</sup> (L)	122
	Kerb weight max <sup>1</sup> (kg)	2778
	Tare weight <sup>1</sup> (kg)	2694
	Front axle capacity (kg)	1850
	Rear axle capacity (kg)	1850
	Gross vehicle weight <sup>1</sup> (kg)	3536
	Seating capacity	5
	Towing capacity <sup>2</sup>	4500kg with brake; 750kg without brake
	Running clearance (mm)	216
EXTERIOR	LED headlamp with manual levelling	•
	LED combination lamp	•
	Tailgate release switch	•
	Black exhaust tip	•
	Crushed tube side steps	•
	Front and rear mudguards	•
	Heated power side mirror	•
	Grey-painted horizontal bar grille with satin chrome surround	•
	i-Force Max bonnet moulding and badge	•
	Tub cargo management system	•
Plated exterior door handles	•	

TUNDRA GRADE		Limited
INTERIOR	Premium seats	•
	8-way power adjustment for driver and front passenger seats	•
	Driver and front passenger power lumbar support	•
	Heated and ventilated front seats	•
	Leather accented steering wheel with audio, Multi-Information Display voice recognition and telephone controls	•
	Manual tilt and telescope steering column	•
	Leather accented gear shift knob	•
	Painted interior door handle	•
	Painted interior trim	•
	Centre console with open storage trays	•
	Moulded assist grips	•
	Carpet floor mats	•
	4x cup holders	•
	Front dual-zone climate control	•
	Illuminated centre console storage bin	•
Glove box	•	
INSTRUMENTS AND CONTROLS	Digital Display Auto-dimming rear view mirror	•
	Front and rear parking sensors	•
	Variable speed windscreen wipers	•
	Power fuel lid	•
	Electronic parking brake	•
	Tyre pressure monitoring system	•
	Power sliding rear glass	•
	Wireless charger	•
	Panoramic View Monitor <sup>5</sup>	•
	Shark fin antenna	•
	Immobiliser and alarm	•
	5x USB ports – 3x front, 2x rear	•
	Smart entry	•
	Front and rear LED interior lights	•
MULTIMEDIA	14" colour touchscreen display	•
	12-speaker JBL <sup>®3</sup> premium audio system	•
	Wireless Apple CarPlay <sup>®4</sup>	•
	Wired Android Auto <sup>™,4</sup>	•
	12.3" Multi-Information Display	•
SAFETY	Toyota Safety Sense <sup>5</sup> – including Active Cruise Control, Lane Trace Assist, Lane Departure Alert, Pre-Collision Safety system with pedestrian and daytime cyclist detection and Automatic High Beam	•
	8x airbags	•
	Rear Cross Traffic Alert	•
	Blind Spot Monitor	•

1 Weights/mass/volumes/dimensions are approximate and subject to individual vehicle variances, and should be confirmed before fitting any accessories, towing or otherwise relying on this value.  
2 Maximum vehicle braked towing capacity is subject to state and federal regulatory requirements. Before towing, customers should consider the vehicle's limitations, including towing capacity specifications, gross vehicle mass (GVM), gross combined mass (GCM), kerb weight specified by the manufacturer, and ensure that individual front and rear axle load limits are not exceeded as also specified by the manufacturer. Vehicle payload calculation is GVM less kerb weight or as otherwise specified in the vehicle owner's manual. Actual payload is affected by any added load to the vehicle, including the number of occupants, luggage, accessories, and tow ball download weight. It is important to consider the actual payload, to ensure the fully loaded vehicle remains within the specified GVM limits. For more details, please refer to the vehicle's Owner's Manual/

**Toyota Basic Towing Guide** or consult your authorised dealer. Toyota recommends use of a Load Distribution Hitch (LDH) when towing loads greater than 2.2T as specified in the Owner's Manual. Based on road conditions, an LDH may not be suitable. Toyota Genuine LDH sold separately at additional cost. Warranty conditions apply. Refer to **Toyota Warranty Advantage Guide**.  
3 Product and company names are trademarks of their respective owners.  
4 CarPlay, and Siri are trademark of Apple, Inc. registered in the U.S. and other countries. Android Auto<sup>™</sup> is a trademark of Google LLC. Requires compatible device, USB connection or Bluetooth<sup>®</sup> connection for vehicles fitted with wireless CarPlay, mobile data, network reception & GPS signal. Mobile usage at user's cost. Apps subject to change. For details, see [toyota.com.au/connected](https://toyota.com.au/connected).  
5 Driver assist feature. Only operates under certain conditions. Check your Owner's Manual for explanation of limitations. Please drive safely.

**IMPORTANT NOTICE – PLEASE READ:**

Toyota Australia uses its best endeavours to ensure material is accurate at the time of publishing. All information must be confirmed with your Toyota Dealer at the time of ordering, as specifications, applicability and availability may change over time. Colours depicted are a guide only and may vary from actual colours due to the printing/display process. Toyota Australia reserves the right to change and/or discontinue, without notice, models, prices, colours, materials, equipment, specifications. To the extent permitted by law, Toyota Australia will not be liable for any damage or loss incurred from

relying on the information and images contained in this material. Distributed nationally (other than in Western Australia) by Toyota Motor Corporation Australia Limited ABN 64 009 686 097. Material distributed in Western Australia by or on behalf of Prestige Motors Pty Ltd (for vehicles) and by Eastpoint Pty Ltd (for parts/accessories). Toyota Australia makes no warranties regarding (and will not be liable for) accuracy of materials distributed in Western Australia. PROOF HQ: T2024-021907. GTO-008552. VERSION: NOVEMBER 2024