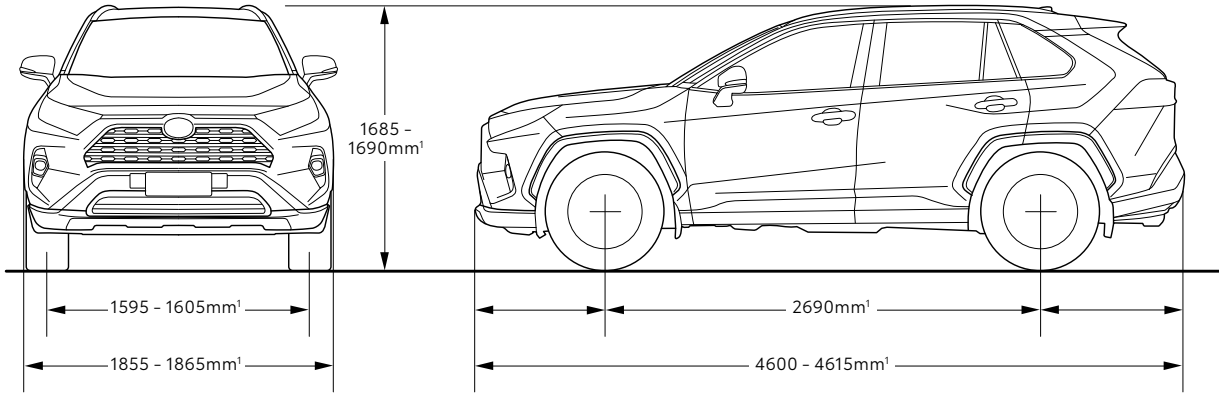


# RAV4



RAV4		2.0L petrol	2.5L hybrid		2.5L petrol
ENGINE	Displacement (cm <sup>3</sup> )	1987	2487		2487
	Max power (kW@rpm)	127 @ 6600	2WD Combined hybrid power = 160kW	AWD Combined hybrid power = 163kW	152 @ 6600
	Max torque (Nm@rpm)	203 @ 4400-4900	221 @ 3600 (combustion engine only)		243 @ 4000-5000
	Bore x stroke (mm)	80.5 x 97.6	87.5 x 103.4		87.5 x 103.4
	Compression ratio	13.0 : 1	14.0 : 1		13.0 : 1
FUEL	Fuel economy (L/100km) combined <sup>2</sup>	6.0	2WD = 4.7	AWD = 4.8	7.0
	Fuel system	Fuel injection	Fuel injection		Fuel injection
	Recommended fuel octane rating	91	91		91
TRANSMISSION	Continuously Variable Transmission (Auto CVT)	•	•		
	8-speed automatic transmission				•
	Gear ratios	N/A on Auto CVT	N/A on Auto CVT		Automatic = 1st 5.250:1 / 2nd 3.028:1 / 3rd 1.950:1 / 4th 1.456:1 / 5th 1.220:1 / 6th 1.000:1 / 7th 0.808:1 / 8th 0.673:1, Reverse 4.014:1
	Driveline	2WD	2WD	AWD	AWD
	Torque vectoring differential – rear				•
BRAKES	Front and rear	Front: ventilated disc brake with floating caliper / Rear: solid disc brake with floating caliper			
	Electronic Park Brake with brake hold	•	•		•
STEERING	Steering type and system	Electric / Rack & Pinion			
	Turning circle – kerb to kerb (m)	11.0	11.0		11.4
SUSPENSION	Suspension	Front: Macpherson Strut / Rear: trailing wishbone			
WEIGHTS AND CAPACITIES (approximate)	Towing capacity <sup>3</sup> – with trailer brakes	2WD = 800	2WD = 480	AWD = 1500	AWD = 1500
	Towing capacity <sup>3</sup> – without trailer brakes	2WD = 750	2WD = 480	AWD = 750	AWD = 750
	Kerb weight <sup>1</sup> (kg)	GX: 1550 GXL: 1590 Cruiser: 1625	2WD = GX: 1650 GXL: 1675 XSE: 1690 Cruiser: 1700	AWD = GX: 1705 GXL: 1735 XSE: 1745 Cruiser: 1755 Edge: 1760	1705
	Gross Vehicle Mass <sup>1</sup> (kg)	2125	2WD = 2185	AWD = 2230	2215
	Seating capacity	5	5		5
	Luggage capacity (L) – set to lower level	580 Excludes GX full size spare variants	580 Excludes GX full size spare variants		580
	Luggage capacity (L) – set to upper level	542	542		542
	Fuel tank capacity (L)	55	55		55

RAV4 MODEL		GX Petrol	GX Hybrid	GXL Petrol	GXL Hybrid	XSE Hybrid	Cruiser Petrol	Cruiser Hybrid	Edge Petrol	Edge Hybrid
WHEELS	Design and size	17" alloy (light grey)	17" alloy (light grey)	18" alloy (dark silver)	18" alloy (dark silver)	18" alloy (gloss black)	19" alloy (silver)	18" alloy (gloss black)	19" machined alloy (matte grey)	19" machined alloy (matte grey)
	Spare wheel	•	•	•	•	•	•	•	•	•
	Optional full size spare wheel available on GX 2WD and AWD Hybrid only		•							
EXTERIOR	Front LED fog lamps	•	•	•	•	•	•	•	•	•
	Body coloured exterior door handles	•	•	•	•	•			•	•
	Chrome trimmed exterior door handles						•	•		
	Parabolic LED headlamps with auto-levelling	•		•			•		•	
	Projector LED headlamps		•		•	•		•		•
	LED Daytime Running Lamps (DRLs)	•	•	•	•	•	•	•	•	•
	LED rear combination lamp	•	•	•	•	•	•	•	•	•
	Automatic headlamps - light sensitive	•	•	•	•	•	•	•	•	•
	Shark fin antenna	•	•	•	•	•	•	•	•	•
	Dual tailpipes	•	•							
	Oval dual tailpipes			•	•	•	•	•	•	•
	Power adjustable side mirrors with heater	•	•	•	•	•	•	•	•	•
	Electrically retractable side mirrors	•	•	•	•	•	•	•	•	•
	Premium bumper and grille			•	•		•	•		
	Unique Black XSE styling – including door mouldings, exterior mirrors, fog lamp detailing, front and rear bumper, grille, overfenders and two-toned roof					•				
	Unique Edge design bumper, wheel arch moulding, grille and fog lamp surrounds								•	•
	Resin rear spoiler	•	•	•	•	•	•	•	•	•
	Rear mudflaps	•	•	•	•	•	•	•	•	•
	Front mudflaps			•	•	•	•	•	•	•
	Rear privacy glass			•	•	•	•	•	•	•
Tilt and slide moonroof						•	•	•	•	
Tilt and slide panoramic moonroof								Optional		
Roof rails			•	•	•	•	•	•	•	
INTERIOR	Premium steering wheel	•	•	•	•	•	•	•	•	•
	Premium gear lever			•	•	•	•	•	•	•
	Premium embossed fabric seats			•	•					
	Carpet floor mats – front and rear	•	•	•	•	•	•	•	•	•
	Leather accented interior						•	•		
	Hard-wearing SofTex®4 seats					•			•	•
	Driver and front passenger heated seats (high/low)					•				
	Driver and front passenger heated and ventilated seats (high/medium/low)						•	•	•	•
	10-way power driver's seat and power lumbar support					•	•	•	•	•
	Driver's seat memory – 2 positions						•	•		
	Ambient interior cabin lighting						•	•	•	•
	Electrochromatic interior mirror			•	•	•	•	•	•	•
	Digital rear view mirror						•	•	•	•
	Front and rear power windows	•	•	•	•	•	•	•	•	•
	60/40 split fold rear seats	•	•	•	•	•	•	•	•	•
	Folding rear seat centre armrest	•	•	•	•	•	•	•	•	•
	Front dual zone climate control		•	•	•	•	•	•	•	•
	Rear passenger air vents	•	•	•	•	•	•	•	•	•
	INSTRUMENTS AND CONTROLS	Power back door					•	•	•	•
Remote entry and smart start		•	•							
Smart entry and smart start				•	•	•	•	•	•	•
Tilt and telescopic adjustable steering column		•	•	•	•	•	•	•	•	•
Automatic electronically retractable door mirrors							•	•	•	•
Multi-Terrain Select									•	
Rain sensing wipers		•	•	•	•	•	•	•	•	•
4.2" Multi Information Display (MID)		•	•	•	•					
7" Multi Information Display (MID)					•	•	•	•	•	

RAV4 MODEL		GX Petrol	GX Hybrid	GXL Petrol	GXL Hybrid	XSE Hybrid	Cruiser Petrol	Cruiser Hybrid	Edge Petrol	Edge Hybrid
STORAGE AND CONVENIENCE	Driver's seat open tray	•	•	•	•	•	•	•	•	•
	Passenger seat open tray	•	•	•	•	•	•	•	•	•
	Centre console box	•	•	•	•	•	•	•	•	•
	Door pockets – driver and front passenger	•	•	•	•	•	•	•	•	•
	Overhead console	•	•	•	•	•	•	•	•	•
	Cupholders – x2 front, x2 rear	•	•	•	•	•	•	•	•	•
	2-level boot floor	Not available with full size spare wheel		•	•	•	•	•	•	•
	Boot side pocket	•	•	•	•	•	•	•	•	•
MULTIMEDIA	8" colour touchscreen display	•	•	•	•	•	•	•	•	•
	Satellite navigation with SUNA™ traffic channel		Optional	•	•	•	•	•	•	•
	USB ports – x3 front, x2 rear	•	•	•	•	•	•	•	•	•
	Digital radio	•	•	•	•	•	•	•	•	•
	Bluetooth®5 radio connectivity	•	•	•	•	•	•	•	•	•
	Apple CarPlay®6 and Android Auto™.7	•	•	•	•	•	•	•	•	•
	Wireless phone charger			•	•	•	•	•	•	•
	6-speaker audio	•	•	•	•	•				
	9-speaker JBL®8 premium audio						•	•	•	•
	Steering wheel controls with audio, MID, voice recognition and telephone controls	•	•	•	•	•	•	•	•	•
SAFETY	Toyota Safety Sense – Including Lane Departure Alert, Lane Trace Assist, Pre-Collision Safety system with pedestrian and daytime cyclist detection, Road Sign Assist (speed signs only), Automatic High Beam and Active Cruise Control	•	•	•	•	•	•	•	•	•
	Trailer Sway Control	•	•	•	•	•	•	•	•	•
	Blind Spot Monitor	•	•	•	•	•	•	•	•	•
	Rear Cross Traffic Alert	•	•	•	•	•	•	•	•	•
	Front and rear parking sensors	•	•	•	•	•	•	•	•	•
	Reversing camera with fixed guidelines	•	•							
	Reversing camera with Back Guide Monitor			•	•	•	•	•	•	•
	Panoramic View Monitor						•	•	•	•
	Anti-lock Braking System with Electronic Brake-force Distribution and Brake Assist	•	•	•	•	•	•	•	•	•
	Vehicle Stability Control and Traction Control	•	•	•	•	•	•	•	•	•
	Hill-start Assist Control	•	•	•	•	•	•	•	•	•
	Downhill Assist Control								•	•
	7 SRS airbags – front, front side, full length curtain airbags and driver's knee airbag	•	•	•	•	•	•	•	•	•
	Seatbelt warning (all seats)	•	•	•	•	•	•	•	•	•
ISOFIX child restraint anchorage points (outer rear seats)	•	•	•	•	•	•	•	•	•	

1 Weights/mass/volumes/dimensions are approximate and subject to individual vehicle variances, and should be confirmed before fitting any accessories, towing or otherwise relying on this value.

2 Achieved in test conditions for comparison purposes only. Actual fuel consumption varies depending on driving conditions/style, vehicle condition, load and options/accessories fitted. Source: ADR81/02 combined.

3 Towing capacity subject to regulatory requirements, tow bar and vehicle design and towing equipment limitations. Ask your Dealer for Toyota Genuine tow bar capacity and availability details.

4 Product and company names are trademarks of their respective owners.

5 Bluetooth® is a registered trademark of Bluetooth SIG, Inc. Compatibility and functionality varies depending on device.

6 CarPlay® is a trademark of Apple, Inc. registered in the U.S. and other countries. Requires compatible device, USB connection, mobile data, network reception and GPS signal. Mobile usage at user's cost. Apps subject to change. For details see [toyota.com.au/connected](https://toyota.com.au/connected)

7 Android Auto™ is a trademark of Google LLC. Requires compatible device, USB connection, mobile data, network reception and GPS signal. Mobile usage at user's cost. Apps subject to change. For details see [toyota.com.au/connected](https://toyota.com.au/connected)

8 JBL® is a registered trademark of Harman International Industries, Incorporated.