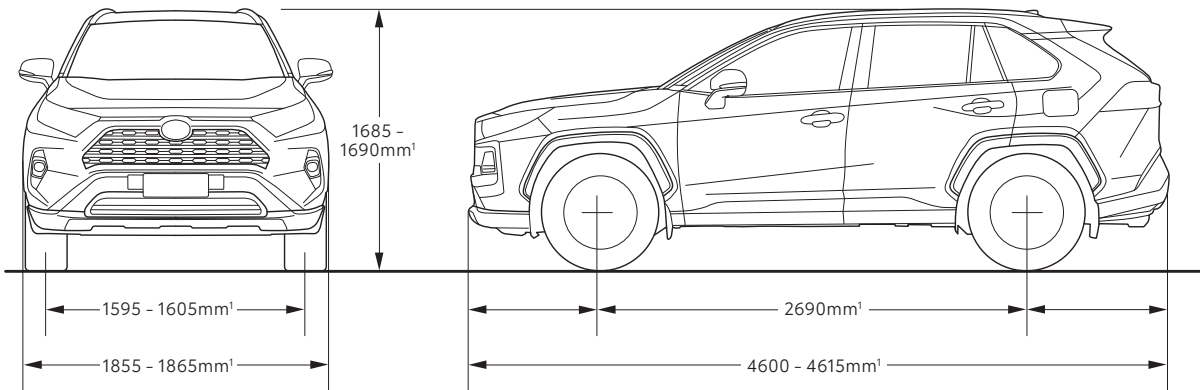


# RAV4



Please Note: information is accurate as at January 2025.

Specification and imagery are indicative and should only be used as a guide. Vehicle and accessory specification, features, colour and trim may differ at the time of vehicle delivery.



MECHANICAL SPECIFICATIONS		RAV4	
ENGINE	Engine description	2.5L Toyota Hybrid Electric System	
	Displacement (cm <sup>3</sup> )	2487	
	Max power (kW@rpm)	2WD Combined hybrid power = 160 / AWD Combined hybrid power = 163	
	Max torque (Nm@rpm)	221@3600 (combustion engine only)	
	Bore x stroke (mm)	87.5 x 103.48	
	Compression ratio	14.0 : 1	
FUEL	Fuel economy (L/100km) <sup>2</sup>	Combined	2WD = 4.7 / AWD = 4.8
		Extra urban	2WD = 4.7 / AWD = 4.8
		Urban	2WD = 4.8 / AWD = 5.0
	Fuel system	Fuel injection	
	Recommended fuel octane rating	91	
TRANSMISSION	Continuously Variable Transmission (Auto CVT)	•	
	Driveline	2WD / AWD	
BRAKES	Front and rear	Front: ventilated disc brake with floating caliper / Rear: solid disc brake with floating caliper	
	Electronic Park Brake with brake hold	•	
STEERING	Steering type and system	Electric power steering – Rack and Pinion	
	Turning circle – kerb to kerb (m)	11.4	
SUSPENSION	Suspension	Front: Macpherson Strut / Rear: trailing wishbone	

RAV4 GRADE		2WD	AWD
WEIGHTS AND CAPACITIES (approximate)	Towing capacity <sup>3</sup> – with trailer brakes	480	1500
	Towing capacity <sup>3</sup> – without trailer brakes	480	750
	Kerb weight <sup>1</sup> (kg)	GX: 1650 GXL: 1675 XSE: 1690 Cruiser: 1700	GX: 1705 GXL: 1735 XSE: 1745 Cruiser: 1755 Edge: 1760
	Gross Vehicle Mass <sup>1</sup> (kg)	2185	2230
	Seating capacity	5	5
	Luggage capacity (L) – set to lower level	580 Excludes GX full size spare variants	580 Excludes GX full size spare variants
	Luggage capacity (L) – set to upper level	542	542
	Fuel tank capacity (L)	55	55

RAV4 GRADE		GX	GXL	XSE	Cruiser	Edge
WHEELS	Design and size	17" alloy (light grey)	18" alloy (dark silver)	18" alloy (gloss black)	18" alloy (gloss black)	19" alloy (matte grey)
	Spare wheel	•	•	•	•	•
	Optional full size spare wheel	•				
EXTERIOR	Front LED fog lamps	•	•	•	•	•
	Body coloured exterior door handles	•	•	•		•
	Chrome trimmed exterior door handles				•	
	Projector LED headlamps	•	•	•	•	•
	LED Daytime Running Lamps	•	•	•	•	•
	LED rear combination lamp	•	•	•	•	•
	Automatic headlamps – light sensitive	•	•	•	•	•
	Shark fin antenna	•	•	•	•	•
	Dual tailpipes	•				
	Oval dual tailpipes		•	•	•	•
	Power adjustable side mirrors with heater	•	•	•	•	•
	Electrically retractable side mirrors	•	•	•	•	•
	Premium bumper and grille		•		•	
	Unique Black XSE styling – including door mouldings, exterior mirrors, fog lamp detailing, front and rear bumper, grille, overfenders and two-toned roof			•		
	Unique Edge design bumper, wheel arch moulding, grille and fog lamp surrounds					•
	Resin rear spoiler	•	•	•	•	•
	Rear mudflaps	•	•	•	•	•
	Front mudflaps		•	•	•	•
	Rear privacy glass		•	•	•	•
	Tilt and slide moonroof				•	•
Roof rails		•	•	•	•	
INTERIOR	Premium steering wheel	•	•	•	•	•
	Premium gear lever		•	•	•	•
	Premium embossed fabric seats		•			
	Carpet floor mats – front and rear	•	•	•	•	•
	Leather accented interior				•	
	SoffTex®4 seats			•		•
	Driver and front passenger heated seats (high/low)			•		
	Driver and front passenger heated and ventilated seats (high/medium/low)				•	•
	Front passenger 4-way manual seat adjustment					•
	10-way power driver's seat and lumbar support			•	•	
	Ambient interior cabin lighting				•	•
	Driver seat memory				•	
	Auto-dimming rear view mirror		•	•	•	•
	Digital rear view mirror				•	•
	Front and rear power windows	•	•	•	•	•
	60/40 split fold rear seats	•	•	•	•	•
	Folding rear seat centre armrest	•	•	•	•	•
	Front dual zone climate control	•	•	•	•	•
	Rear passenger air vents	•	•	•	•	•
	INSTRUMENTS AND CONTROLS	Power back door			•	•
Remote entry and smart start		•				
Smart entry and smart start			•	•	•	•
Tilt and telescopic adjustable steering column		•	•	•	•	•
Automatic electronically retractable door mirrors					•	•
Rain sensing wipers		•	•	•	•	•
7" Multi Information Display		•	•			
12.3" Multi Information Display			•	•	•	

RAV4 GRADE		GX	GXL	XSE	Cruiser	Edge
STORAGE AND CONVENIENCE	Driver's seat open tray	•	•	•	•	•
	Passenger seat open tray	•	•	•	•	•
	Centre console box	•	•	•	•	•
	Door pockets – driver and front passenger	•	•	•	•	•
	Overhead console	•	•	•	•	•
	Cupholders – x2 front, x2 rear	•	•	•	•	•
	2-level boot floor	•	•	•	•	•
	Boot side pocket	•	•			
MULTIMEDIA	8" colour touchscreen display	•	•			
	10.5" colour touchscreen display			•	•	•
	Connected Navigation <sup>5</sup>	•	•	•	•	•
	Inbuilt Navigation <sup>6</sup>			•	•	•
	USB ports – x3 front, x2 rear	•	•	•	•	•
	Digital radio	•	•	•	•	•
	Bluetooth <sup>7</sup> connectivity	•	•	•	•	•
	Wireless Apple CarPlay <sup>8</sup>	•	•	•	•	•
	Wired Android Auto™, <sup>9</sup>	•	•	•	•	•
	Wireless phone charger		•	•	•	•
	6-speaker audio	•	•	•		
	9-speaker JBL <sup>10</sup> premium audio				•	•
Steering wheel controls with audio, MID, voice recognition and telephone controls	•	•	•	•	•	
SAFETY	Toyota Safety Sense – including Lane Departure Alert, Lane Trace Assist, Pre-Collision Safety system with pedestrian and daytime cyclist detection and Intersection Turn Assist, Emergency Steering Assist, Road Sign Assist (speed signs only), Automatic High Beam and Active Cruise Control (all speed)	•	•	•	•	•
	Trailer Sway Control	•	•	•	•	•
	Blind Spot Monitor	•	•	•	•	•
	Rear Cross Traffic Alert	•	•	•	•	•
	Front and rear parking sensors	•	•	•	•	•
	Reversing camera with Back Guide Monitor	•	•	•	•	•
	Panoramic View Monitor				•	•
	Anti-lock Braking System with Electronic Brake-force Distribution and Brake Assist	•	•	•	•	•
	Vehicle Stability Control and Traction Control	•	•	•	•	•
	Hill-start Assist Control	•	•	•	•	•
	7 SRS airbags – front, front side, full length curtain airbags and driver's knee airbag	•	•	•	•	•
	Seatbelt warning (all seats)	•	•	•	•	•
ISOFIX child restraint anchorage points (outer rear seats)	•	•	•	•	•	
TOYOTA CONNECTED SERVICES	Toyota Connected Services <sup>5</sup> – including Safety and Security features, Multimedia Connect, Driving Insights and Remote Connect – accessible via myToyota Connect app	1 year complimentary access				

1 Weights/mass/volumes/dimensions are approximate and subject to individual vehicle variances, and should be confirmed before fitting any accessories, towing or otherwise relying on this value.  
2 Results achieved in ADR81/02 fuel consumption testing. Results produced in laboratory test conditions, using sample vehicles without fitment of accessories/customisation, and do not reflect real world driving. Figures should only be used for comparative purposes.  
3 Towing capacity subject to regulatory requirements, and vehicle & equipment design limitations. Ask your dealer for more information, including Toyota Genuine Tow Bar capacity and availability.  
4 Product and company names are trademarks of their respective owners.  
5 Connected Services complimentary period ends 1 year from delivery date. Fees and charges may apply thereafter. Not available outside Australia, if services disabled or terminated or after 2033/Telstra 4G sunset (whichever comes first). Dependent on 3G/4G enabled DCM, GPS signal strength, mobile network coverage and other factors outside Toyota's control which can limit ability or functionality of system. Check your Owner's Manual or [toyota.com.au/connected](http://toyota.com.au/connected) for explanation of limitations. Please drive safely.

6 Coverage varies based on vehicle location.  
7 Bluetooth® is a registered trademark of Bluetooth SIG, Inc. Compatibility and functionality varies depending on device.  
8 CarPlay® is a trademark of Apple, Inc. registered in the U.S. and other countries. Requires compatible device, USB connection or Bluetooth® connection for vehicles fitted with wireless CarPlay®, mobile data, network reception and GPS signal. Mobile usage at user's cost. Apps subject to change. For details see [toyota.com.au/connected](http://toyota.com.au/connected)  
9 Android Auto™ is a trademark of Google LLC. Requires compatible device, USB connection or Bluetooth® connection for vehicles fitted with wireless Android Auto™ mobile data, network reception and GPS signal. Mobile usage at user's cost. Apps subject to change. For details see [toyota.com.au/connected](http://toyota.com.au/connected)  
10 JBL® is a registered trademark of Harman International Industries, Incorporated.