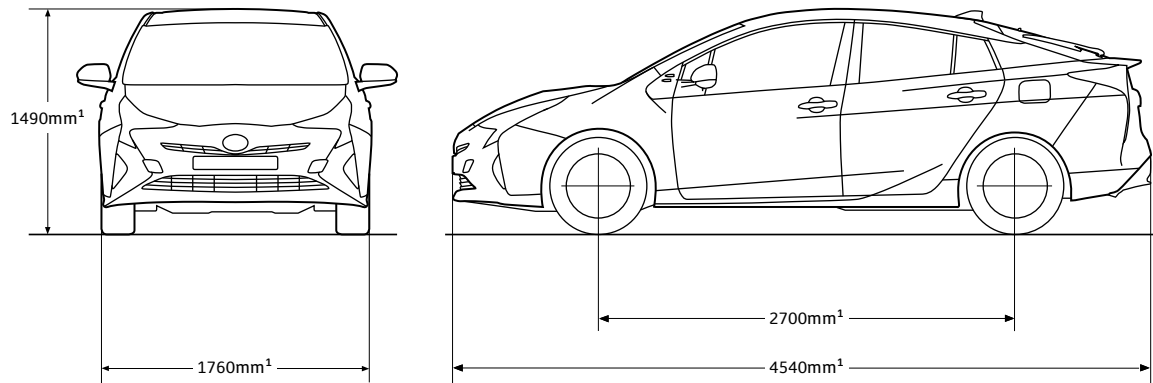


# Prius



MECHANICAL SPECIFICATIONS		Prius	Prius i-Tech®
<b>Engine</b>	Engine description	1.8L Atkinson Cycle, 4-cylinder petrol engine with Hybrid Synergy Drive® (HSD)	
	Engine code	2ZR-FXE	
	Maximum power (kW @ rpm) <sup>2</sup>	72kW @ 5200rpm <sup>2</sup>	
	Maximum torque (Nm @ rpm) <sup>2</sup>	142Nm @ 3600rpm <sup>2</sup>	
	Combined power maximum output <sup>2</sup>	90kW <sup>2</sup>	
	Bore x stroke	80.5 x 88.3mm	
	Compression ratio	13.0 : 1	
<b>Fuel</b>	Fuel economy – ADR81/02 combined cycle <sup>3</sup>	3.4L/100km	
	Emissions – combined CO <sub>2</sub> <sup>3</sup>	80g/km	
<b>Transmission</b>	Type	Continuously Variable Transmission (CVT)	
<b>Steering, Brakes and Suspension</b>	Electric power steering	•	•
	Regenerative braking system	•	•
	Double wishbone rear suspension	•	•
	MacPherson strut front suspension	•	•
<b>Weights<sup>1</sup> (Approximate)</b>	Vehicle kerb weight (kg) <sup>1</sup>	1375 – 1400 <sup>1</sup>	1375 – 1400 <sup>1</sup>
	Gross vehicle weight (kg) <sup>1</sup>	1775 <sup>1</sup>	1775 <sup>1</sup>
	Fuel tank capacity (L)	43	43
<b>Wheels</b>	Size and type	15" alloy	17" alloy
<b>Exterior</b>	Front fog lamps	•	•
	LED Daytime Running Lamps	•	•
	Auto-levelling Bi-LED headlamps	•	•
	Electrically adjustable exterior mirrors with side indicators	•	•
	Rain sensing wipers	•	•
	Privacy glass	•	•

MECHANICAL SPECIFICATIONS		Prius	Prius i-Tech®
Interior	3-spoke synthetic leather steering wheel	•	•
	Driver and front passenger heated seats		•
	60:40 split fold rear seats	•	•
Instruments and Controls	Smart entry (Activation on driver's door only) and start system	•	
	Smart entry (Activation on driver, passenger and boot doors) and start system		•
	Advanced climate control air conditioning	•	•
	LCD Multi Information Display including driving information, audio system information, climate control details, driver support, warning messages, and settings	•	•
	Head-up Display	•	•
	Auto-dimming rear view mirror	•	•
Storage	Illuminated glove box	•	•
	Centre console with armrest lid	•	•
	Sunglass holder – front overhead console	•	•
	Front seat back storage pocket	•	•
	Beverage holders: 2 x front and 2 x rear; Bottle holders: 2 x front and 2 x rear	•	•
Multimedia	JBL <sup>4</sup> 10-speaker premium sound system	•	•
	Steering wheel mounted audio and telephone controls	•	•
	7" colour display audio with Toyota Link <sup>5</sup> , hands-free Bluetooth <sup>6</sup> media streaming, single CD player, AM/FM tuner, AUX/USB <sup>7</sup> input	•	•
	Satellite navigation <sup>8</sup> and digital radio <sup>9</sup>	•	•
	Wireless phone charger <sup>10</sup>	•	•
Safety	Toyota Safety Sense+ Including Lane Departure Alert, Pre-Collision Safety system, Automatic High Beam and Active Cruise Control	•	•
	Anti-lock Braking System with Electronic Brake-force Distribution and Brake Assist	•	•
	Vehicle Stability Control, Traction Control and Hill-start Assist Control	•	•
	LED taillights with Emergency Brake Signal	•	•
	Reversing camera with moving guidelines	•	•
	Blind Spot Monitor and Rear Cross Traffic Alert		•
	Seven SRS airbags – including driver's knee airbag	•	•

- Vehicle weights/mass and dimensions are approximate and subject to individual vehicle variances. Vehicles should be individually weighed and measured before fitting any accessories, towing or designing any compatible trailer/caravan or otherwise using the vehicle in any way that depends on this value.
- Power and torque test standards differ. Maximum combined engine and hybrid battery system and torque constantly available within a specified speed range (Toyota Australia in-house testing).
- Results achieved in test conditions. Actual results may vary depending on driving conditions/style, vehicle condition and options/accessories fitted. Fuel consumption data provided for comparison purposes only. Source: ADR81/02 combined cycle.
- JBL® is a registered trademark of Harman International Industries, Incorporated.
- Toyota Link is available on certain vehicle models and grades only. Toyota Link services rely on data from the driver's compatible mobile phone and information provided by third parties. Availability is dependent on a number of factors, including the availability of third party information, mobile service, sufficient mobile data allowance and GPS satellite signal reception. Mobile usage is

- at the user's cost. Toyota Australia reserves the right to add, remove or modify applications. Compatibility with smartphones will vary according to model and operating system. Further information (including smartphone compatibility) is provided at [toyota.com.au/toyotalink](http://toyota.com.au/toyotalink)
- The Bluetooth® word mark is owned by Bluetooth SIG, Inc. Not all devices will be compatible and functionality varies depending on the device.
- Not all devices will be compatible. Functionality varies depending on device.
- Current navigation mapping database encompasses major capital and primary national road networks and offers some coverage in regional areas.
- Digital radio station coverage dependent on vehicle location.
- Only Qi-supported devices are compatible. Refer to your device manufacturer to determine your device's compatibility. Some devices may require the purchase of a Qi-supported accessory to enable wireless charging.

#### IMPORTANT NOTICE – PLEASE READ:

Toyota Australia uses its best endeavours to ensure material is correct when published. Check with your authorised Toyota dealer when ordering to ensure the vehicle with your chosen specifications, equipment and colour is available and can be delivered within the timeframe suitable to you. When ordering accessories, check with your authorised Toyota dealer to ensure the accessory's design, features and colours are available and fit your vehicle. Ensure the mass of your load does not exceed the maximum allowable individual axle capacity, Gross Vehicle Mass and/or Gross Combined Mass of the vehicle. Refer to [toyota.com.au](http://toyota.com.au) for further details. Colours displayed are a guide only and may vary from actual colours due to printing/display processes. Certain accessories when fitted will require the removal of standard equipment, which may be

retained by Toyota Australia or your Toyota dealer. Toyota Australia reserves the right to change, without notice, prices, colours, materials, equipment, specifications and discontinue colours/models. To the extent permitted by law, Toyota Australia will not be liable for any damage, loss or expense incurred as a result of reliance on this material in any way. Distributed nationally (other than in Western Australia) by Toyota Motor Corporation Australia Limited ABN 64 009 686 097, 155 Bertie St, Port Melbourne 3207. Material distributed in Western Australia by or on behalf of Prestige Motors Pty Ltd (for vehicles) and by Eastpoint Pty Ltd (for parts/ accessories). Toyota Australia makes no warranties regarding (and will not be liable for) accuracy of materials distributed in Western Australia. PROOF HQ: T2017-008762. GTP1780. JANUARY 2018.