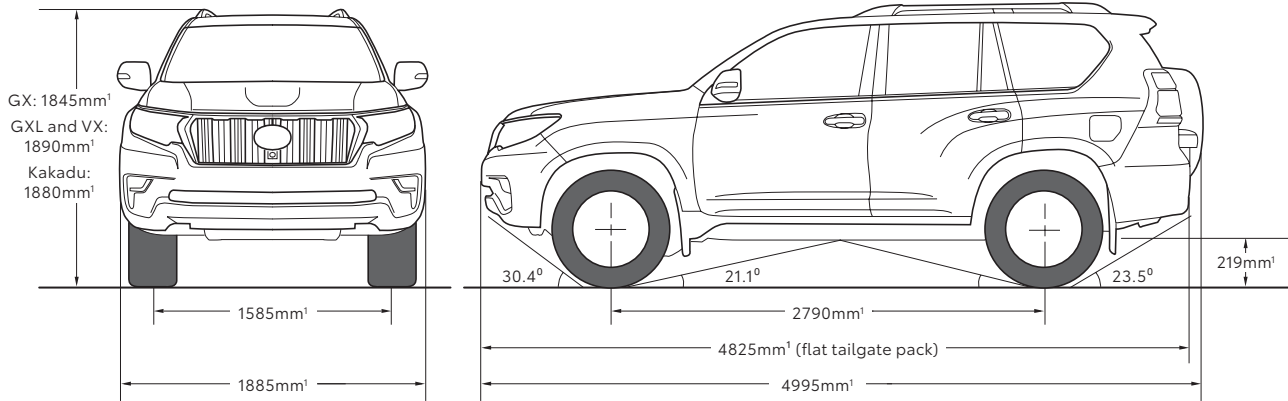


Prado



MECHANICAL SPECIFICATIONS		GX	GXL	VX	Kakadu
ENGINE	Engine description	2.8 litre turbo diesel (1GD-FTV)			
	Displacement (cm ³)	2755			
	Max power (kW@rpm) / Max torque (Nm@rpm)	130@3400 / 450@1600-2400 (automatic); 420@1400-2600 (manual)			
	Valve train	16-valve DOHC			
	Fuel system	Common-rail			
	Bore x stroke (mm)	92.0 x 103.6			
	Compression ratio	15.6:1			
TRANSMISSION	Transmission	6-speed automatic or manual		6-speed automatic	
	Gear ratios – automatic transmission (:1)	Automatic: 1st 3.6; 2nd 2.090; 3rd 1.488; 4th 1.000; 5th 0.687; 6th 0.580; Reverse 3.732			
	Gear ratios – manual transmission (:1)	Manual: 1st 4.171; 2nd 2.190; 3rd 1.488; 4th 1.193; 5th 1.000; 6th 0.799; Reverse 3.607		–	
	Differential gear ratio	3.909:1 (automatic), 3.727:1 (manual)		3.909:1	
	Driveline	4WD			
FUEL	Fuel type	Diesel			
	Fuel economy ² (L/100km) – automatic	Combined: 8.0, Urban: 9.8, Extra: 7.0			
	Fuel economy ² (L/100km) – manual	Combined: 7.9, Urban: 9.4, Extra: 7.0		–	
	Fuel capacity (litres)	87L + 63L (sub tank) = 150L (Flat tailgate pack 87L only)			
	Diesel Particulate Filter (forced burn off) switch	•	•	•	•
STEERING	Steering operation	Rack & pinion power steering			
	Power steering system	Variable Flow Control (VFC) Hydraulic			
	Turning circle (kerb to kerb) (metres)	11.6			
BRAKES	Front	Ventilated disc with four piston fixed calipers			
	Rear	Ventilated disc with single piston floating calipers			
SUSPENSION	Front	Double-wishbone type			
	Rear	4 link with coil springs			4 link with air springs
WEIGHTS (APPROXIMATE)	Kerb weight ¹ (kg) – automatic transmission	2240 (5-seat); 2300 (7-seat)	2325	2385	2455
	Kerb weight ¹ (kg) – flat tailgate option	–	2265	2325	2395
	Kerb weight ¹ (kg) – manual transmission	2230 (5-seat)	2315	–	–
	Gross vehicle mass ¹ (kg)	2990	2990	2990	2990
CAPACITIES	Seating capacity	5 (7-seat option on automatic only)	7	7	7
	Towing capacity ³ – with trailer brakes (automatic/manual) (kg)	3000 / 2500	3000 / 2500	3000 / –	3000 / –
	Towing capacity ³ – without trailer brakes (kg)	750	750	750	750
WHEELS	17" alloy wheels	•	•		
	18" alloy wheels			•	•
	Full size spare wheel	•	•	•	•

MECHANICAL SPECIFICATIONS		GX	GXL	VX	Kakadu
EXTERIOR	Halogen headlamps with 'headlight-on' function	•			
	Bi-LED headlamps with LED DRLs		•	•	•
	LED fog lamps		•	•	•
	Manual headlamp levelling	•			
	Auto-levelling headlamps		•	•	•
	Heated and electrically retractable side mirrors	•	•	•	•
	Privacy glass		•	•	•
	Flat tailgate pack – automatic only		Optional on automatic only	Optional	Optional
	Glass hatch – flat tailgate pack only		Optional on automatic only	Optional	Optional
	Front and rear mudguards	•	•	•	•
	Tilt and slide moonroof				•
INTERIOR	40:20:40 split sliding second-row seats	•	•	•	•
	50:50 split fold flat third-row seats	7-seat option (on automatic only)	•	•	•
	Urethane steering wheel with audio and telephone controls	•			
	Premium steering wheel with audio and telephone controls		•	•	
	Premium woodgrain-look steering wheel with audio, Multi Information Display and telephone controls				•
	Cargo blind	•	•	•	•
	Heated and ventilated front seats with heated second row outer seats		Optional on automatic only	•	•
	Leather accented seats with power adjustable driver and front passenger seat		Optional on automatic only	•	•
	Auto-dimming rear view mirror			•	•
INSTRUMENTS AND CONTROLS	Smart entry and start system	•	•	•	•
	Manual air conditioning	•			
	3-zone climate control air conditioning		•	•	•
	Electroluminescent combimeter and 4.2" Multi Information Display	Automatic only	Automatic only	•	•
	Drive Mode Select				•
SAFETY	Toyota Safety Sense – including Lane Departure Alert, Pre-Collision Safety system (PCS) with pedestrian detection, Automatic High Beam and Active Cruise Control	Automatic only	Automatic only	•	•
	Anti-lock Braking System (ABS) with Electronic Brake-force Distribution (EBD) and Brake Assist (BA)	•	•	•	•
	Vehicle Stability Control (VSC) and Traction Control (TRC)	•	•	•	•
	Trailer Sway Control (TSC)	•	•	•	•
	7 SRS airbags	•	•	•	•
	Reversing camera	•	•	•	•
	3-point type emergency locking retractor seat belts	•	•	•	•
	Rear parking sensors (4-head kit)		•	•	•
	Front parking sensors (4-head kit)			•	•
	Blind Spot Monitor (BSM)			•	•
	Rear Cross Traffic Alert (RCTA)			•	•
	Panoramic and Multi-Terrain Monitor			•	•

MECHANICAL SPECIFICATIONS		GX	GXL	VX	Kakadu
OFF-ROAD CAPABILITIES	Active Traction Control (A-TRC)	•	•	•	•
	Downhill Assist Control (DAC)	Automatic only	Automatic only	•	•
	Hill-start Assist Control (HAC)	Automatic only	Automatic only	•	•
	Rear differential lock switch		Automatic only	•	•
	5-speed crawl control				•
	Adaptive Variable Suspension system (AVS)				•
	Multi-Terrain Select system (MTS)				•
	Kinetic Dynamic Suspension System (KDSS)				•
SECURITY	Engine immobiliser system	•	•	•	•
	Theft deterrent system – alarm		•	•	•
STORAGE	Air conditioned cool box	•	•		
	Refrigerated cool box			•	•
	Driver and front passenger seat back map pockets	•	•	•	•
MULTIMEDIA	8" colour touchscreen display	•	•	•	•
	Satellite navigation ⁴	•	•	•	•
	Single-disc in-dash CD player with MP3 connectivity ⁵ and AM/FM tuner	•	•	•	•
	Digital radio ⁴ (DAB)			•	•
	AUX and USB ⁵ input	•	•	•	•
	Bluetooth ^{5,6} connectivity	•	•	•	•
	Premium JBL ⁷ 14-speaker surround sound system			•	•
	Blu-ray rear seat entertainment system with 3 wireless headsets				•

1 Weights/mass/volumes/dimensions are approximate and subject to individual vehicle variances, and should be confirmed before fitting any accessories, towing or otherwise relying on this value.
2 Achieved in test conditions for comparison purposes only. Actual fuel consumption varies depending on driving conditions/style, vehicle condition, load and options/accessories fitted. Source: ADR81/02 combined/urban/extra urban (L/100km) for manual/automatic models.
3 Towing capacity subject to regulatory requirements, tow bar and vehicle design and towing equipment limitations. Ask your Dealer for Toyota Genuine tow bar capacity and availability details.

4 Coverage varies based on vehicle location.
5 Compatibility and functionality varies depending on device.
6 Bluetooth[®], is a registered trademark of Bluetooth SIG, Inc.
7 JBL[®] is a registered trademark of Harman International Industries, Incorporated.