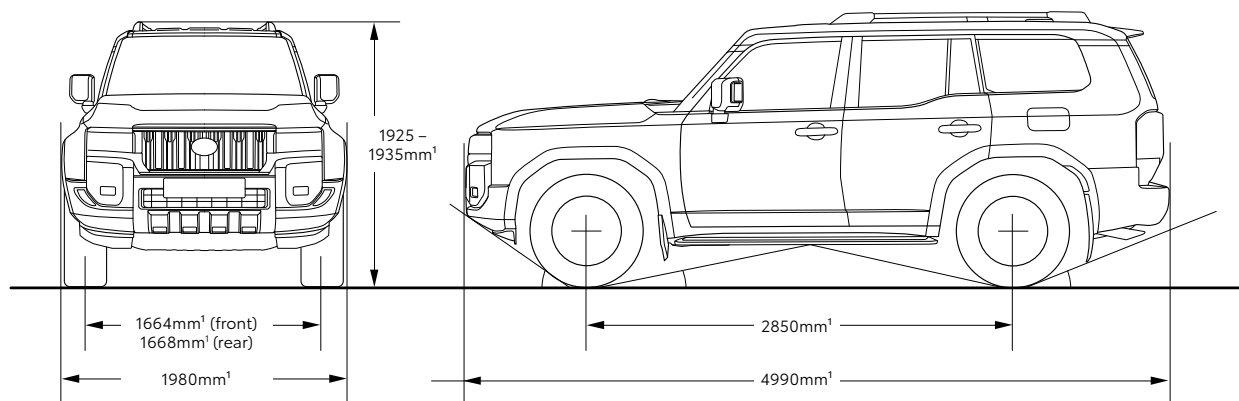


LandCruiser Prado



Please Note: information is accurate as at June 2026.

Specification and imagery are indicative and should only be used as a guide. Vehicle and accessory specification, features, colour and trim may differ at the time of vehicle delivery.



MECHANICAL SPECIFICATIONS		LandCruiser Prado	
ENGINE	Engine description	2.8L turbo diesel (1GD-FTV)	
	Engine System	48V System (V-Active)	
	Displacement (cm ³)	2755	
	Max power (kW@rpm) / Max torque (Nm@rpm)	150@3000-3400 / 500@1600-2800	
	Valve train	16-valve DOHC, Chain Drive	
	Fuel system	Common-rail	
	Bore x stroke (mm)	92.0 x 103.6	
	Compression ratio	15.6:1	
TRANSMISSION	Transmission	8-speed automatic with manual mode	
	Gear ratios – automatic transmission (:1)	1st 4.413 / 2nd 2.808 / 3rd 1.95 / 4th 1.511 / 5th 1.274 / 6th 1.000 / 7th 0.793 / 8th 0.651 / Reverse 3.645	
	Differential gear ratio	3.583:1	
	Driveline	4WD	
FUEL	Fuel type	Diesel	
	Fuel economy ² (L/100km) – in laboratory conditions	Combined ²	7.6
		Urban ²	8.5
		Extra ²	7
	Fuel capacity – dual fuel tank (L)	110	
AdBlue ³ tank capacity (L)	17.4		
STEERING	Steering operation	Electric Power Steering	
	Turning circle – kerb to kerb (m)	12.0	
BRAKES	Front	Ventilated disc with 4 piston fixed calipers	
	Rear	Ventilated disc with single piston floating calipers	
SUSPENSION	Front	Double-wishbone type	
	Rear	4-link rigid (With lateral control arm)	
	System	Adaptive Variable Suspension (VX and Kakadu only)	

LANDCRUISER PRADO GRADE		GX	GXL	VX	Altitude	Kakadu
DIMENSIONS (APPROXIMATE)	Length ¹ (mm)	4990	4990	4990	4990	4990
	Width ¹ (mm)	1980	1980	1980	1980	1980
	Height ¹ (mm)	1925	1925	1935	1935	1935
WEIGHTS (APPROXIMATE)	Kerb weight ¹ (kg)	2490	5 seater: 2490 7 seater: 2530	2565	2510	2590
	Gross Vehicle Mass ¹ (GVM) (kg)	3100	5 seater: 3100 7 seater: 3150	3180	3100	3200
CAPACITIES	Seating capacity	5	5 or 7	7	5	7
	Towing capacity ⁴ – with trailer brakes (kg)	3500	3500	3500	3500	3500
	Towing capacity ⁴ – without trailer brakes (kg)	750	750	750	750	750
WHEELS	18" alloy wheels	•	•			
	20" premium alloy wheels			•		•
	18" alloy wheels with Toyo Open Country All-Terrain tyres				•	
	Full size spare wheel	•	•	•	•	•
EXTERIOR	LED headlamps with Static Auto Leveling	•	•			
	Bi-LED headlamps with Dynamic Auto Leveling			•	•	•
	LED Daytime Running Lamps	•	•	•	•	•
	LED fog lamps	•	•	•	•	•
	Heated and electrically retractable side mirrors	•	•	•	•	•
	Rear privacy glass		•	•	•	•
	Roof rails		•	•	•	•
	Side steps	•	•	•	•	•
	Illuminated side steps					•
	Front and rear mudguards	•	•	•	•	•
	Rain sensing wipers	•	•	•	•	•
	Tilt and slide moonroof				•	
	Panoramic moonroof					•
INTERIOR	60:40 split fold 2nd row seats	•	•	•	•	•
	50:50 split fold 3rd row seats		7 seat variant only	•		•
	Urethane steering wheel with audio, Toyota Safety Sense, telephone and Multi Information Display controls	•				
	Premium steering wheel with audio, Toyota Safety Sense, telephone and Multi Information Display controls		•	•	•	•
	Heated steering wheel				•	•
	Heated and ventilated 1st row seats		•	•	•	•
	Heated and ventilated 2nd row seats					•
	Leather accented seats with power adjustable driver seat			•	•	•
	Driver's seat memory – 2 positions			•	•	•
	Floor mats – front and rear	All-weather rubber mats	All-weather rubber mats	Carpet mats	Carpet mats	Carpet mats
	Auto-dimming rear view mirror		•	•	•	•
Digital rear view mirror				•	•	
INSTRUMENTS AND CONTROLS	Smart entry and start system	•	•	•	•	•
	Auto 2-zone air conditioning	•	•	•	•	•
	7" Multi Information Display	•	•			
	12.3" Multi Information Display			•	•	•
	Multi Terrain Select			•	•	•
	3 mode drive select	•	•		•	
	5 mode drive select			•		•

LANDCRUISER PRADO GRADE		GX	GXL	VX	Altitude	Kakadu
SAFETY	Toyota Safety Sense – including Pre-Collision Safety System, All-Speed Adaptive Cruise Control, Driver Monitor Camera, Lane Trace Assist, Emergency Driving Stop System, Road Sign Assist and Safety Exit Assist	•	•	•	•	•
	Vehicle Stability Control	•	•	•	•	•
	Trailer Sway Control	•	•	•	•	•
	9x SRS airbags	•	•	•	•	•
	Reversing camera with guidelines	•	•	•	•	•
	Front and rear parking sensors	•	•	•	•	•
	Blind Spot Monitor	•	•	•	•	•
	Rear Cross Traffic Alert	•	•	•	•	•
	Tyre Inflation Pressure Warning			•	•	•
	Multi Terrain Monitor			•	•	•
OFF-ROAD CAPABILITIES	Active Traction Control	•	•	•	•	•
	Downhill Assist Control	•	•	•	•	•
	Central differential	•	•	•	•	•
	Crawl Control	•	•	•	•	•
	Adaptive Variable Suspension system			•		•
	Stabliser Disconnect Mechanism				•	
SECURITY	Theft deterrent system – alarm	•	•	•	•	•
STORAGE	Rear console box	•	•			
	Refrigerated rear console box			•	•	•
	12x cup holders – 4x front and 8x rear	•	•	•	•	•
MULTIMEDIA	12.3" colour touchscreen with wireless Apple CarPlay ⁵ and wireless Android Auto ⁶	•	•	•	•	•
	Inbuilt Navigation	•	•	•	•	•
	AM/FM and Digital Radio	•	•	•	•	•
	4x USB-C charging ports	•				
	6x USB-C charging ports		•	•	•	•
	1x HDMI port	•	•	•	•	•
	Bluetooth ⁷ connectivity	•	•	•	•	•
14-speaker JBL ⁸ premium audio system			•	•	•	
TOYOTA CONNECTED SERVICES ^{9,10}	Toyota Essentials Emergency	Complimentary until Telstra 4G sunset or termination of services in accordance with our T&Cs				
	Toyota Essentials	Complimentary until Telstra 4G sunset or termination of services in accordance with our T&Cs				
	Toyota Connect+	1 year complimentary access – Fees apply thereafter. Subject to Telstra 4G sunset or termination of services in accordance with our T&Cs				
	Toyota Connected Multimedia	1 year complimentary access – Fees apply thereafter. Subject to Telstra 4G sunset or termination of services in accordance with our T&Cs				

1 Weights/mass/volumes/dimensions are approximate and subject to individual vehicle variances, and should be confirmed before fitting any accessories, towing or otherwise relying on this value.
2 Results achieved in ADR81/02 fuel consumption testing. Results produced in laboratory test conditions, using sample vehicles without fitment of accessories/customisation, and do not reflect real world driving. Figures should only be used for comparative purposes.
3 Product and company names are trademarks of their respective owners.
4 Maximum vehicle braked towing capacity is subject to state and federal regulatory requirements. Before towing, customers should consider the vehicle's limitations, including towing capacity specifications, gross vehicle mass (GVM), gross combined mass (GCM), kerb weight specified by the manufacturer, and ensure that individual front and rear axle load limits are not exceeded as also specified by the manufacturer. Vehicle payload calculation is GVM less kerb weight or as otherwise specified in the vehicle owner's manual. Actual payload is affected by any added load to the vehicle, including the number of occupants, luggage, accessories, and tow ball download weight. It is important to consider the actual payload, to ensure the fully loaded vehicle remains within the specified GVM limits. For more details, please refer to the vehicle's Owner's Manual/**Toyota Basic Towing Guide** or consult your authorised dealer. Toyota recommends use of a Load Distribution Hitch (LDH) when towing loads greater than 2.2T as specified in the Owner's Manual. Based on road conditions, an LDH may not be suitable. Toyota Genuine LDH sold separately at additional cost. Warranty conditions apply. Refer to **Toyota Warranty Advantage Guide**

5 CarPlay[®] is a trademark of Apple, Inc. registered in the U.S. and other countries.
6 Android Auto[™] is a trademark of Google LLC.
7 Bluetooth[®] is a registered trademark of Bluetooth SIG, Inc. Compatibility and functionality varies depending on device.
8 See toyota.com.au/connected/terms-conditions for T&Cs.
9 Complimentary periods commence upon delivery date. Fees may apply there after. Not available outside Australia, if services disabled or terminated or after Telstra 4G sunset. Dependent on enabled DCM, GPS signal strength, mobile network coverage, mobile app data (at user's cost), enabled push notifications and other factors outside Toyota's control which can limit ability or functionality of system. Check your Owner's Manual or toyota.com.au/services/connected for explanation of limitations. Please drive safely.
10 The myToyota Connect App supports vehicles with a Build date from 2009 onwards, with or without Toyota Connected Services. Requires compatible device and app installation, mobile data (at user's cost), Australian network reception, GPS signal, enabled push notifications and other factors outside Toyota's control which can limit functionality. Features vary by model and may change. See toyota.com.au/services/connected for more information.

IMPORTANT NOTICE – PLEASE READ: Toyota Australia uses its best endeavours to ensure material is accurate at the time of publishing. All information must be confirmed with your Toyota Dealer at the time of ordering, as specifications, applicability and availability may change over time. Colours depicted are a guide only and may vary from actual colours due to the printing/display process. Toyota Australia reserves the right to change and/or discontinue, without notice, models, prices, colours, materials, equipment, specifications. To the extent permitted by law, Toyota Australia will not be liable

for any damage or loss incurred from relying on the information and images contained in this material. Distributed nationally (other than in Western Australia) by Toyota Motor Corporation Australia Limited ABN 64 009 686 097. Material distributed in Western Australia by or on behalf of Prestige Motors Pty Ltd (for vehicles) and by Eastpoint Pty Ltd (for parts/accessories). Toyota Australia makes no warranties regarding (and will not be liable for) accuracy of materials distributed in Western Australia. PROOF HQ: T2026-023329. GTO-010021-00. VERSION: JUNE 2026.