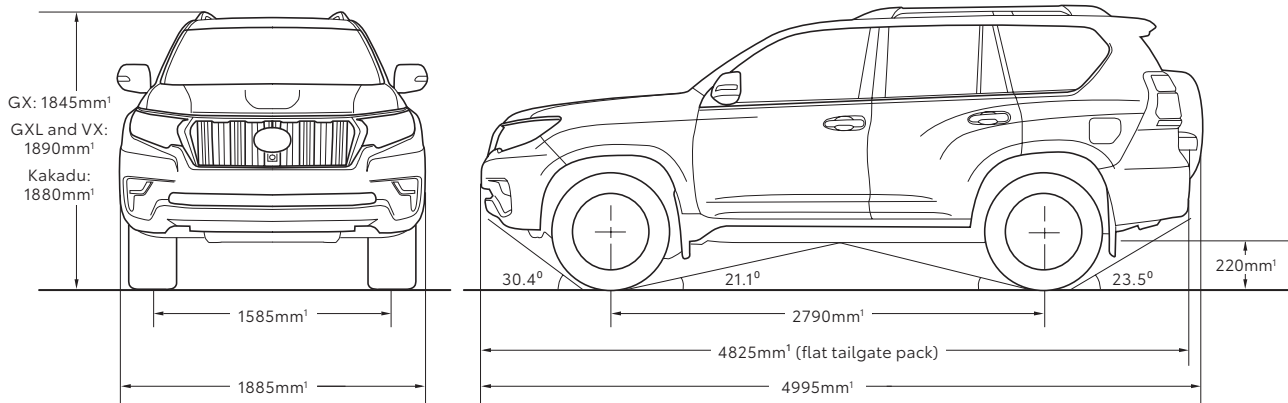


Prado



Please Note: information is accurate as at November 2023.

Specification and imagery are indicative and should only be used as a guide. Vehicle and accessory specification, features, colour and trim may differ at the time of vehicle delivery.



MECHANICAL SPECIFICATIONS		GX	GXL	VX	Kakadu	
ENGINE	Engine description	2.8 litre turbo diesel (1GD-FTV)				
	Displacement (cm ³)	2755				
	Max power (kW@rpm) / Max torque (Nm@rpm)	150@3000-3400 / 500@1600-2800				
	Valve train	16-valve DOHC				
	Fuel system	Common-rail				
	Bore x stroke (mm)	92.0 x 103.6				
	Compression ratio	15.6:1				
TRANSMISSION	Transmission	6-speed automatic				
	Gear ratios - automatic transmission (:1)	Automatic: 1st 3.600; 2nd 2.090; 3rd 1.488; 4th 1.000; 5th 0.687; 6th 0.580; Reverse 3.732				
	Differential gear ratio	3.909:1				
	Driveline	4WD				
FUEL	Fuel type	Diesel				
	Fuel economy ² (L/100km)	Combined	7.9	7.9	7.9	7.9
		Extra Urban	7.0	7.0	7.0	7.0
		Urban	9.6	9.6	9.6	9.6
	Fuel capacity (L)	87 (main tank) + 63 (sub tank) = 150 (Flat tailgate pack 87 only)				
Diesel Particulate Filter (forced burn off) switch	•	•	•	•		
STEERING	Steering operation	Rack and pinion power steering				
	Power steering system	Variable Flow Control Hydraulic				
	Turning circle (kerb to kerb) (m)	11.6				
BRAKES	Front	Ventilated disc with 4 piston fixed calipers				
	Rear	Ventilated disc with single piston floating calipers				
SUSPENSION	Front	Double-wishbone type				
	Rear	4 link with coil springs			4 link with air springs	
DIMENSIONS (APPROXIMATE)	Length ¹ (mm)	4995	4995 4825 (flat tailgate pack)	4995 4825 (flat tailgate pack)	4995 4825 (flat tailgate pack)	
	Width ¹ (mm)	1885	1885	1885	1885	
	Height ¹ (mm)	1845	1890	1890	1880	
WEIGHTS (APPROXIMATE)	Kerb weight ¹ (kg)	2240 (5-seat); 2285 (7-seat)	2285	2305	2350	
	Kerb weight ¹ (kg) – flat tailgate option	–	2225	2245	2290	
	Gross Vehicle Mass ¹ (GVM)(kg)	2990	2990	2990	2990	
	Gross Combined Mass ¹ (GCM)(kg)	5990	5990	5990	5990	
CAPACITIES	Seating capacity	Standard: 5; Option: 7	7	7	7	
	Towing capacity ³ – with trailer brakes (kg)	3000	3000	3000	3000	
	Towing capacity ³ – without trailer brakes (kg)	750	750	750	750	
WHEELS	17" alloy wheels	•	•			
	19" alloy wheels			•	•	
	Full size spare wheel	•	•	•	•	

MECHANICAL SPECIFICATIONS		GX	GXL	VX	Kakadu
EXTERIOR	Halogen headlamps with 'headlight-on' function with LED Daytime Running Lamps	•			
	Bi-LED headlamps with LED Daytime Running Lamps		•	•	•
	LED fog lamps		•	•	•
	Manual headlamp levelling	•			
	Auto-levelling headlamps		•	•	•
	Dusk-sensing headlamps			•	•
	Heated and electrically retractable side mirrors	•	•	•	•
	Privacy glass		•	•	•
	Flat tailgate pack		Optional	Optional	Optional
	Glass hatch – flat tailgate pack only		Optional	Optional	Optional
	Roof rails		•	•	•
	Side steps		•		
	Illuminated side steps			•	•
	Front and rear mudguards	•	•	•	•
	Rain sensing wipers	•	•	•	•
	Tilt and slide moonroof				•
	Chrome finish grille	•	•	•	•
INTERIOR	40:20:40 split sliding 2nd row seats	•	•	•	•
	50:50 split fold flat 3rd row seats	7-seat option	•	•	•
	Power fold down 3rd row seats				•
	Urethane steering wheel with audio and telephone controls	•			
	Premium steering wheel with audio and telephone controls		•	•	
	Premium woodgrain-look steering wheel with paddle shifters, Multi Information Display and telephone controls				•
	Electric tilt and telescopic steering wheel adjustment			•	•
	Cargo blind	•	•	•	•
	Heated and ventilated front seats with heated 2nd row outer seats		Optional	•	•
	Leather accented seats with power adjustable driver and front passenger seat		Optional	•	•
	Driver's seat memory - 2 positions				•
	Floor mats (front and rear)	All-weather rubber mats	All-weather rubber mats	Carpet mats	Carpet mats
	Auto-dimming rear view mirror			•	•
	Sun visor lamp		•	•	•
	INSTRUMENTS AND CONTROLS	Smart entry and start system	•	•	•
Manual air conditioning		•			
3-zone climate control air conditioning			•	•	•
Electroluminescent combimeter and 4.2" Multi Information Display		•	•	•	•
Drive mode select					•
SAFETY	Toyota Safety Sense – including Pre-Collision Safety system with pedestrian and daytime cyclist detection, Lane Departure Alert with brake to steer, Active Cruise Control (all speed) and Road Sign Assist (speed signs only)	•	•	•	•
	Anti-lock Braking System with Electronic Brake-force Distribution and Brake Assist	•	•	•	•
	Vehicle Stability Control and Traction Control	•	•	•	•
	Trailer Sway Control	•	•	•	•
	7 SRS airbags	•	•	•	•
	Reversing camera	•	•	•	•
	3-point type emergency locking retractor seat belts	•	•	•	•
	Rear parking sensors		•	•	•
	Front parking sensors			•	•
	Blind Spot Monitor	•	•	•	•
	Rear Cross Traffic Alert	•	•	•	•
	Panoramic and Multi-Terrain Monitor			•	•

MECHANICAL SPECIFICATIONS		GX	GXL	VX	Kakadu
OFF-ROAD CAPABILITIES	Active Traction Control	•	•	•	•
	Downhill Assist Control	•	•	•	•
	Hill-start Assist Control	•	•	•	•
	Rear differential lock switch		•	•	•
	5-speed crawl control				•
	Adaptive Variable Suspension system				•
	Multi-Terrain Select system				•
	Kinetic Dynamic Suspension System				•
SECURITY	Engine immobiliser system	•	•	•	•
	Theft deterrent system – alarm		•	•	•
STORAGE	Air conditioned cool box	•	•		
	Refrigerated cool box			•	•
	Driver and front passenger seat back map pockets	•	•	•	•
MULTIMEDIA	9" colour touchscreen display with Apple CarPlay ^{5,8} and Android Auto ^{TM,5,9} (speak to your Dealer about device compatibility)	•	•	•	•
	Satellite navigation ⁴	•	•	•	•
	MP3 connectivity and AM/FM tuner	•	•	•	•
	Digital radio			•	•
	USB input	•	•	•	•
	Bluetooth ^{®6} connectivity	•	•	•	•
	9 speakers	•	•		
	14-speaker JBL ^{®7} premium audio system			•	•
Blu-ray TM rear seat entertainment system with 3 wireless headsets				•	

- Weights/mass/volumes/dimensions are approximate and subject to individual vehicle variances, and should be confirmed before fitting any accessories, towing or otherwise relying on this value.
- Results achieved in ADR81/02 fuel consumption testing. Results produced in laboratory test conditions, using sample vehicles without fitment of accessories/customisation, and do not reflect real world driving. Figures should only be used for comparative purposes.
- Towing capacity subject to regulatory requirements, tow bar and vehicle design and towing equipment limitations. Ask your Dealer for Toyota Genuine tow bar capacity and availability details.
- Coverage varies based on vehicle location.

- Requires compatible device, USB connection, mobile data, network reception and GPS signal. Mobile usage at user's cost. Apps subject to change. For details see toyota.com.au/connected
- Bluetooth[®] is a registered trademark of Bluetooth SIG, Inc. Compatibility and functionality varies depending on device.
- Product and company names are trademarks of their respective owners.
- CarPlay[®] is a trademark of Apple, Inc. registered in the U.S. and other countries.
- Android AutoTM is a trademark of Google LLC.

IMPORTANT NOTICE – PLEASE READ: Toyota Australia uses its best endeavours to ensure material is accurate at the time of publishing. All information must be confirmed with your Toyota Dealer at the time of ordering, as specifications, applicability and availability may change over time. Colours depicted are a guide only and may vary from actual colours due to the printing/display process. Toyota Australia reserves the right to change and/or discontinue, without notice, models, prices, colours, materials, equipment, specifications. To the extent permitted by law, Toyota Australia will not be liable for any damage or loss incurred from relying on the information and images contained in this material. Distributed nationally (other than in Western Australia) by Toyota Motor Corporation Australia Limited ABN 64 009 686 097. Material distributed in Western Australia by or on behalf of Prestige Motors Pty Ltd (for vehicles) and by Eastpoint Pty Ltd (for parts/accessories). Toyota Australia makes no warranties regarding (and will not be liable for) accuracy of materials distributed in Western Australia. PROOF HQ: T2023-020652. GTO-007658. VERSION: NOVEMBER 2023.