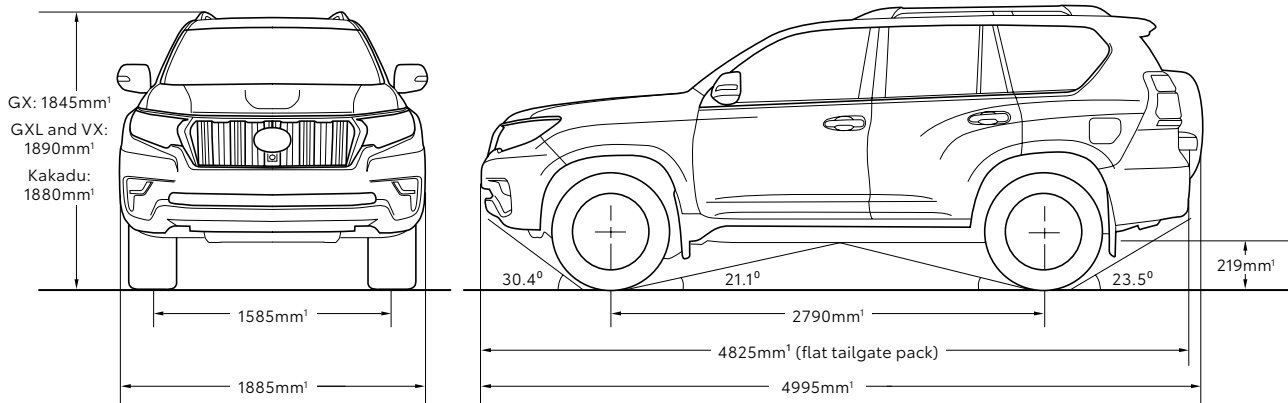


Prado



Please Note: information is accurate as at July 2021.

Specification and imagery are indicative and should only be used as a guide. Vehicle and accessory specification, features, colour and trim may differ at the time of vehicle delivery.



MECHANICAL SPECIFICATIONS		GX	GXL	VX	Kakadu
ENGINE	Engine description	2.8 litre turbo diesel (1GD-FTV)			
	Displacement (cm ³)	2755			
	Max power (kW@rpm) / Max torque (Nm@rpm)	150@3000-3400 / 500@1600-2800			
	Valve train	16-valve DOHC			
	Fuel system	Common-rail			
	Bore x stroke (mm)	92.0 x 103.6			
	Compression ratio	15.6:1			
TRANSMISSION	Transmission	6-speed automatic			
	Gear ratios - automatic transmission (:1)	Automatic: 1st 3.600; 2nd 2.090; 3rd 1.488; 4th 1.000; 5th 0.687; 6th 0.580; Reverse 3.732			
	Differential gear ratio	3.909:1			
	Driveline	4WD			
FUEL	Fuel type	Diesel			
	Fuel economy ² (L/100km)	Combined: 7.9, Urban: 9.6, Extra: 7.0			
	Fuel capacity (L)	87 (main tank) + 63 (sub tank) = 150 (Flat tailgate pack 87 only)			
	Diesel Particulate Filter (forced burn off) switch	•	•	•	•
STEERING	Steering operation	Rack and pinion power steering			
	Power steering system	Variable Flow Control (VFC) Hydraulic			
	Turning circle (kerb to kerb) (m)	11.6			
BRAKES	Front	Ventilated disc with 4 piston fixed calipers			
	Rear	Ventilated disc with single piston floating calipers			
SUSPENSION	Front	Double-wishbone type			
	Rear	4 link with coil springs			4 link with air springs
DIMENSIONS (APPROXIMATE)	Length ¹ (mm)	4995	4995 4825 (flat tailgate pack)	4995 4825 (flat tailgate pack)	4995 4825 (flat tailgate pack)
	Width ¹ (mm)	1885	1885	1885	1885
	Height ¹ (mm)	1845	1890	1890	1880
WEIGHTS (APPROXIMATE)	Kerb weight ¹ (kg)	2240 (5-seat); 2285 (7-seat)	2285	2305	2350
	Kerb weight ¹ (kg) - flat tailgate option	-	2225	2245	2290
	Gross Vehicle Mass ¹ (GVM)(kg)	2990	2990	2990	2990
	Gross Combined Mass ¹ (GCM)(kg)	5990	5990	5990	5990
CAPACITIES	Seating capacity	Standard: 5 Option: 7	7	7	7
	Towing capacity ³ - with trailer brakes (kg)	3000	3000	3000	3000
	Towing capacity ³ - without trailer brakes (kg)	750	750	750	750
WHEELS	17" alloy wheels	•	•		
	19" alloy wheels - Active Design			•	
	19" alloy wheels - Prestige Design				•
	Full size spare wheel	•	•	•	•

MECHANICAL SPECIFICATIONS		GX	GXL	VX	Kakadu
EXTERIOR	Halogen headlamps with 'headlight-on' function with LED DRLs	•			
	Bi-LED headlamps with LED DRLs		•	•	•
	LED fog lamps		•	•	•
	Manual headlamp levelling	•			
	Auto-levelling headlamps		•	•	•
	Dusk-sensing headlamps			•	•
	Heated and electrically retractable side mirrors	•	•	•	•
	Privacy glass		•	•	•
	Flat tailgate pack		Optional	Optional	Optional
	Glass hatch – flat tailgate pack only		Optional	Optional	Optional
	Roof rails		•	•	•
	Side steps		•		
	Illuminated side steps			•	•
	Front and rear mudguards	•	•	•	•
	Rain sensing wipers	•	•	•	•
	Tilt and slide moonroof				•
	Chrome finish grille	•	•	•	•
INTERIOR	40/20/40 split sliding 2nd row seats	•	•	•	•
	50/50 split fold flat 3rd row seats	7-seat option	•	•	•
	Power fold down 3rd row seats				•
	Urethane steering wheel with audio and telephone controls	•			
	Premium steering wheel with audio and telephone controls		•	•	
	Premium woodgrain-look steering wheel with paddle shifters, Multi Information Display and telephone controls				•
	Electric tilt and telescopic steering wheel adjustment			•	•
	Cargo blind	•	•	•	•
	Heated and ventilated front seats with heated 2nd row outer seats		Optional	•	•
	Leather accented seats with power adjustable driver and front passenger seat		Optional	•	•
	Driver's seat memory - 2 positions				•
	Floor mats (front and rear)	All-weather rubber mats	All-weather rubber mats	Carpet mats	Carpet mats
	Auto-dimming rear view mirror			•	•
	Sun visor lamp		•	•	•
INSTRUMENTS AND CONTROLS	Smart entry and start system with vibration sensor	•	•	•	•
	Manual air conditioning	•			
	3-zone climate control air conditioning		•	•	•
	Electroluminescent combimeter and 4.2" Multi Information Display	•	•	•	•
	Drive mode select				•
SAFETY	Toyota Safety Sense – including Lane Departure Alert with steering assist, Pre-Collision Safety (PCS) system with pedestrian and daytime cyclist detection, Automatic High Beam, Active Cruise Control and Road Sign Assist	•	•	•	•
	Anti-lock Braking System (ABS) with Electronic Brake-force Distribution (EBD) and Brake Assist (BA)	•	•	•	•
	Vehicle Stability Control (VSC) and Traction Control (TRC)	•	•	•	•
	Trailer Sway Control (TSC)	•	•	•	•
	7 SRS airbags	•	•	•	•
	Reversing camera	•	•	•	•
	3-point type emergency locking retractor seat belts	•	•	•	•
	Rear parking sensors (4-head kit)		•	•	•
	Front parking sensors (4-head kit)			•	•
	Blind Spot Monitor (BSM)	•	•	•	•
	Rear Cross Traffic Alert (RCTA)	•	•	•	•
	Panoramic and Multi-Terrain Monitor			•	•

MECHANICAL SPECIFICATIONS		GX	GXL	VX	Kakadu
OFF-ROAD CAPABILITIES	Active Traction Control (A-TRC)	•	•	•	•
	Downhill Assist Control (DAC)	•	•	•	•
	Hill-start Assist Control (HAC)	•	•	•	•
	Rear differential lock switch		•	•	•
	5-speed crawl control				•
	Adaptive Variable Suspension system (AVS)				•
	Multi-Terrain Select system (MTS)				•
	Kinetic Dynamic Suspension System (KDSS)				•
SECURITY	Engine immobiliser system	•	•	•	•
	Theft deterrent system – alarm		•	•	•
STORAGE	Air conditioned cool box	•	•		
	Refrigerated cool box			•	•
	Driver and front passenger seat back map pockets	•	•	•	•
MULTIMEDIA	9" colour touchscreen display with Apple CarPlay ^{5,8} and Android Auto ^{TM,5,9} (speak to your Dealer about device compatibility)	•	•	•	•
	Satellite navigation ⁴	•	•	•	•
	MP3 connectivity and AM/FM tuner	•	•	•	•
	Digital radio (DAB)			•	•
	USB input	•	•	•	•
	Bluetooth ^{®6} connectivity	•	•	•	•
	9 speakers	•	•		
	Premium JBL ^{®7} 14-speaker audio system			•	•
	Blu-ray TM rear seat entertainment system with 3 wireless headsets				•

1 Weights/mass/volumes/dimensions are approximate and subject to individual vehicle variances, and should be confirmed before fitting any accessories, towing or otherwise relying on this value.

2 Achieved in test conditions for comparison purposes only. Actual fuel consumption varies depending on driving conditions/style, vehicle condition, load and options/accessories fitted. Source: ADR81/02 combined/urban/extra urban (L/100km) for manual/automatic models.

3 Towing capacity subject to regulatory requirements, tow bar and vehicle design and towing equipment limitations. Ask your Dealer for Toyota Genuine tow bar capacity and availability details.

4 Coverage varies based on vehicle location.

5 Requires compatible device, USB connection, mobile data, network reception and GPS signal. Mobile usage at user's cost. Apps subject to change. For details see toyota.com.au/connected

6 Bluetooth[®] is a registered trademark of Bluetooth SIG, Inc. Compatibility and functionality varies depending on device.

7 Product and company names are trademarks of their respective owners.

8 CarPlay[®] is a trademark of Apple, Inc. registered in the U.S. and other countries.

9 Android AutoTM is a trademark of Google LLC.