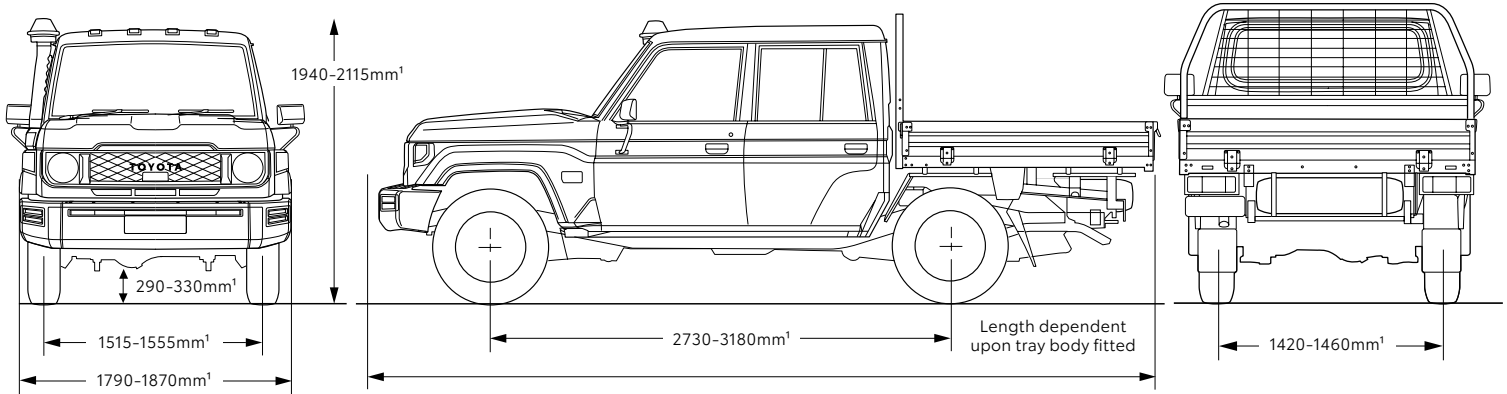


# LandCruiser 70



Please Note: information is accurate as at April 2025.

Specification and imagery are indicative and should only be used as a guide. Vehicle and accessory specification, features, colour and trim may differ at the time of vehicle delivery.



| MECHANICAL SPECIFICATIONS |                                   | LandCruiser 70  |   |
|---------------------------|-----------------------------------|---|---|
| ENGINE                    | Engine                            | 4.5L turbo diesel engine<br>(Available on GXL Single-Cab and GXL Double-Cab only)         | 2.8L turbo diesel engine  |
|                           | Name                              | 1VD-FTV   | 1GD-FTV   |
|                           | Displacement (cm <sup>3</sup> )   | 4461  | 2755  |
|                           | Max power (kW/rpm)                | 151/3400  | Manual: 150/3200-3400<br>Automatic: 150/3000-3400   |
|                           | Max torque (Nm/rpm)               | 430/1200-3200   | Manual: 450/2400-3000<br>Automatic: 500/1600-2800   |
|                           | Valve train                       | 32-valve DOHC   | 16-valve DOHC   |
|                           | Fuel system                       | Common-rail type  | Common-rail type or fuel injection  |
|                           | Bore x stroke (mm)                | 86.0 x 96.0   | 92.0 x 103.6  |
|                           | Compression ratio                 | 16.8:1  | 15.6:1  |
| TRANSMISSION              | Transmission                      | 5-speed manual  | 6-speed automatic or 5-speed manual<br>(5-speed manual not available on WorkMate LC76 Wagon)  |
|                           | Gear ratios                       | 1st 4.529; 2nd 2.294; 3rd 1.490; 4th 1.000;<br>5th 0.750; Reverse 4.313                   | Automatic: 1st 3.6000; 2nd 2.0903; 3rd 1.4883; 4th 1.000<br>5th 0.6876; 6th 0.5806; Reverse 3.7324<br>Manual: 1st 4.529; 2nd 2.294; 3rd 1.490; 4th 1.000;<br>5th 0.750; Reverse 4.313 |
|                           | Driveline                         | 4WD   | 4WD   |
| FUEL                      | Fuel type                         | Diesel  | Diesel  |
|                           | Fuel capacity (L)                 | Troop Carrier 180 (90 + 90), all other models 130   |   |
| STEERING                  | Steering system                   | Hydraulic   |   |
|                           | Steering operation                | Power steering  |   |
|                           | Turning circle (kerb to kerb) (m) | Single-Cab Cab-Chassis and Double-Cab Cab-Chassis: 14.4; Wagon: 12.6; Troop Carrier: 13.6 |   |
| BRAKES                    | Brake control system              | Front and rear ventilated discs   |   |

| LANDCRUISER 70 GRADE                        |  | Single-Cab Cab-Chassis |      |      | Double-Cab Cab-Chassis |      | Wagon     |      | Troop Carrier |      |      |
|---|--|------------------------|------|------|------------------------|------|-----------|------|---------------|------|------|
|   |  | WorkMate               | GX   | GXL  | WorkMate               | GXL  | WorkMate  | GXL  | WorkMate      | GXL  |      |
| DIMENSIONS AND WEIGHTS (APPROXIMATE)        | Overall length <sup>1</sup> (mm)           | 5235                   | 5235 | 5245 | 5235                   | 5245 | 4865      | 4910 | 5235          | 5245 |      |
|   | Overall width <sup>1</sup> (mm)            | 1790                   | 1870 | 1870 | 1790                   | 1870 | 1800      | 1870 | 1800          | 1800 |      |
|   | Overall height <sup>1</sup> (mm)           | 1970                   | 1955 | 1955 | 1960                   | 1945 | 1955      | 1940 | 2115          | 2115 |      |
|   | Wheelbase (mm)                             | 3180                   | 3180 | 3180 | 3180                   | 3180 | 2730      | 2730 | 2980          | 2980 |      |
|   | Front track (mm)                           | 1515                   | 1555 | 1555 | 1515-1555              | 1555 | 1515      | 1555 | 1515          | 1515 |      |
|   | Rear track (mm)                            | 1420                   | 1460 | 1460 | 1420-1460              | 1460 | 1420      | 1460 | 1420          | 1420 |      |
|   | Running clearance <sup>1</sup> (mm)        | 330                    | 316  | 316  | 317                    | 302  | 305       | 290  | 317           | 315  |      |
|   | Kerb weight <sup>1</sup> (kg)              | Manual transmission    | -    | -    | 2195                   | 2200 | 2185-2240 | -    | 2300          | 2360 | 2395 |
|   |  | Automatic transmission | 2145 | 2130 | 2130                   | 2200 | 2185      | 2320 | 2300          | 2360 | 2395 |
|   | Gross Vehicle Mass <sup>1</sup> (GVM) (kg) | 3510                   | 3510 | 3510 | 3510                   | 3510 | 3510      | 3510 | 3510          | 3510 |      |
| Gross Combined Mass <sup>1</sup> (GCM) (kg) | 7010                                       | 7010                   | 7010 | 7010 | 7010                   | 7010 | 7010      | 7010 | 7010          |      |      |
| SEATING                                     | Capacity                                   | 2                      | 2    | 2    | 5                      | 5    | 5         | 5    | 2             | 5    |      |
| TOWING CAPACITY <sup>3,4</sup>              | With trailer brakes                        | 3500                   | 3500 | 3500 | 3500                   | 3500 | 3500      | 3500 | 3500          | 3500 |      |
|   | Without trailer brakes                     | 750                    | 750  | 750  | 750                    | 750  | 750       | 750  | 750           | 750  |      |
| WHEELS                                      | 16" steel wheels                           | •                      |      |      | •                      |      | •         |      | •             | •    |      |
|   | 16" alloy wheels                           |                        | •    | •    |                        | •    |           | •    |               |      |      |

| LANDCRUISER 70 GRADE          |  | Single-Cab Cab-Chassis |    |     | Double-Cab Cab-Chassis |     | Wagon    |     | Troop Carrier |     |
|-------------------------------|--|------------------------|----|-----|------------------------|-----|----------|-----|---------------|-----|
|                               |  | WorkMate               | GX | GXL | WorkMate               | GXL | WorkMate | GXL | WorkMate      | GXL |
| EXTERIOR                      | LED headlamps and Daytime Running Lamps  | •                      | •  | •   | •                      | •   | •        | •   | •             | •   |
|                               | Manual headlamp leveling   | •                      | •  | •   | •                      | •   | •        | •   | •             | •   |
|                               | Automatic high beams   | •                      | •  | •   | •                      | •   | •        | •   | •             | •   |
|                               | LED front fog lamps  |                        |    | •   |                        | •   |          | •   |               | •   |
|                               | Moulded black front bumper   | •                      | •  |     | •                      |     |          |     |               |     |
|                               | Chrome garnish front bumper  |                        |    | •   |                        | •   |          |     |               |     |
|                               | Moulded black front and rear bumpers   |                        |    |     |                        |     | •        |     | •             |     |
|                               | Chrome garnish front and rear bumpers  |                        |    |     |                        |     |          | •   |               | •   |
|                               | Front mudguards  | •                      | •  | •   | •                      | •   |          |     |               |     |
|                               | Front and rear mudguards   |                        |    |     |                        |     | •        | •   | •             | •   |
|                               | Steel side steps   | •                      | •  |     |                        |     |          |     | •             | •   |
|                               | Aluminium side steps   |                        |    | •   | •                      | •   | •        | •   | •             | •   |
|                               | Air-intake snorkel   | •                      | •  | •   | •                      | •   | •        | •   | •             | •   |
|                               | Over-fender flares   |                        | •  | •   |                        | •   |          | •   |               | •   |
|                               | Chrome roof drip rails   |                        |    | •   |                        | •   |          | •   |               | •   |
| Manual antenna                | •  | •                      | •  | •   | •                      | •   | •        | •   | •             |     |
| Barn type rear tailgate doors |  |                        |    |     |                        | •   | •        | •   | •             |     |
| INTERIOR                      | 2x bucket front seats  | •                      | •  | •   | •                      | •   | •        | •   | •             | •   |
|                               | Front bucket seats and 2nd row bench seat  |                        |    |     | •                      | •   | •        | •   | •             | •   |
|                               | Textured vinyl seat trim   | •                      | •  |     | •                      |     | •        |     | •             |     |
|                               | Cloth seat and door trim   |                        |    | •   |                        | •   |          | •   |               | •   |
|                               | Floor carpet   |                        |    | •   |                        | •   |          | •   |               | •   |
|                               | All weather floor mats   | •                      | •  | •   | •                      | •   | •        | •   | •             | •   |
|                               | Air conditioning   | •                      | •  | •   | •                      | •   | •        | •   | •             | •   |
|                               | Driver and passenger map light   | •                      | •  | •   | •                      | •   | •        | •   | •             | •   |
| SAFETY                        | Anti-lock Braking System   | •                      | •  | •   | •                      | •   | •        | •   | •             | •   |
|                               | Driver seatbelt warning lamp   | •                      | •  | •   | •                      | •   | •        | •   | •             | •   |
|                               | Driver and front passenger airbags   | •                      | •  | •   | •                      | •   | •        | •   | •             | •   |
|                               | Curtain shield and driver's knee airbags   | •                      | •  | •   |                        |     |          |     |               |     |
|                               | Reverse Camera   |                        |    |     |                        |     | •        | •   |               |     |
|                               | Brake Assist   | •                      | •  | •   | •                      | •   | •        | •   | •             | •   |
|                               | Vehicle Stability Control, Hill-start Assist Control, Downhill Assist Control (auto only), Electronic Brake-force Distribution and Active Traction Control                                     | •                      | •  | •   | •                      | •   | •        | •   | •             | •   |
|                               | Toyota Safety Sense <sup>5</sup> – including Lane Departure Alert, Pre-Collision Safety system with pedestrian detection and Daytime cyclist detection and Road Sign Assist (speed signs only) | •                      | •  | •   | •                      | •   | •        | •   | •             | •   |
| STORAGE                       | Glove box  | •                      | •  | •   | •                      | •   | •        | •   | •             | •   |
|                               | 2x bottle holders  | •                      | •  | •   | •                      | •   | •        | •   | •             | •   |
|                               | Centre console storage (Automatic engine types only)   | •                      | •  | •   | •                      | •   | •        | •   | •             | •   |
| MULTIMEDIA                    | 6.7" colour touchscreen display  | •                      | •  | •   | •                      | •   | •        | •   | •             | •   |
|                               | USB charging ports <sup>6</sup>  |                        |    | 2   |                        | 2   |          | 2   |               | 2   |
|                               | USB multimedia input <sup>6</sup>  | •                      | •  | •   | •                      | •   | •        | •   | •             | •   |
|                               | 12V accessory connector  | •                      | •  | •   | •                      | •   | •        | •   | •             | •   |
|                               | AM/FM radio with MP3 compatibility   | •                      | •  | •   | •                      | •   | •        | •   | •             | •   |
|                               | Bluetooth <sup>®6,7</sup> connectivity   | •                      | •  | •   | •                      | •   | •        | •   | •             | •   |
|                               | Apple CarPlay <sup>®8</sup> and Android Auto <sup>™,8</sup>  | •                      | •  | •   | •                      | •   | •        | •   | •             | •   |
|                               | 2x speakers  | •                      | •  | •   | •                      | •   | •        | •   | •             | •   |
| 4x speakers                   |  |                        |    |     |                        | •   | •        | •   | •             |     |

- Weights/mass/volumes/dimensions are approximate and subject to individual vehicle variances, and should be confirmed before fitting any accessories, towing or otherwise relying on this value.
- Maximum vehicle braked towing capacity is subject to state and federal regulatory requirements. Before towing, customers should consider the vehicle's limitations, including towing capacity specifications, gross vehicle mass (GVM), gross combined mass (GCM), kerb weight specified by the manufacturer, and ensure that individual front and rear axle load limits are not exceeded as also specified by the manufacturer. Vehicle payload calculation is GVM less kerb weight or as otherwise specified in the vehicle owner's manual. Actual payload is affected by any added load to the vehicle, including the number of occupants, luggage, accessories, and tow ball download weight. It is important to consider the actual payload, to ensure the fully loaded vehicle remains within the specified GVM limits.
- Toyota recommends use of a Load Distribution Hitch (LDH) when towing loads greater than half of

**IMPORTANT NOTICE – PLEASE READ:**

Toyota Australia uses its best endeavours to ensure material is accurate at the time of publishing. All information must be confirmed with your Toyota Dealer at the time of ordering, as specifications, applicability and availability may change over time. Colours depicted are a guide only and may vary from actual colours due to the printing/display process. Toyota Australia reserves the right to change and/or discontinue, without notice, models, prices, colours, materials, equipment, specifications. To the extent permitted by law, Toyota Australia will not be liable for any damage or loss incurred from relying

- the vehicle's GVM or as specified in the Owner's Manual. Based on road conditions, an LDH may not be suitable. Refer to **Toyota Basic Towing Guide**. Toyota Genuine LDH sold separately at additional cost. Warranty conditions apply. Refer to **Toyota Warranty Advantage Guide**. For more details, please refer to the vehicle's Owner's Manual/**Toyota Basic Towing Guide** or consult your authorised dealer.
- Driver assist feature. Only operates under certain conditions. Check your Owner's Manual for explanation of limitations. Please drive safely.
  - Compatibility and functionality varies depending on device.
  - Bluetooth<sup>®</sup> is a registered trademark of Bluetooth SIG, Inc. Compatibility and functionality varies depending on device.
  - CarPlay<sup>®</sup> is a trademark of Apple, Inc. registered in the U.S. and other countries. Android Auto<sup>™</sup> is a trademark of Google LLC.

on the information and images contained in this material. Distributed nationally (other than in Western Australia) by Toyota Motor Corporation Australia Limited ABN 64 009 686 097. Material distributed in Western Australia by or on behalf of Prestige Motors Pty Ltd (for vehicles) and by Eastpoint Pty Ltd (for parts/accessories). Toyota Australia makes no warranties regarding (and will not be liable for) accuracy of materials distributed in Western Australia. PROOF HQ: T2025-021967. GTO-009025. VERSION: APRIL 2025.