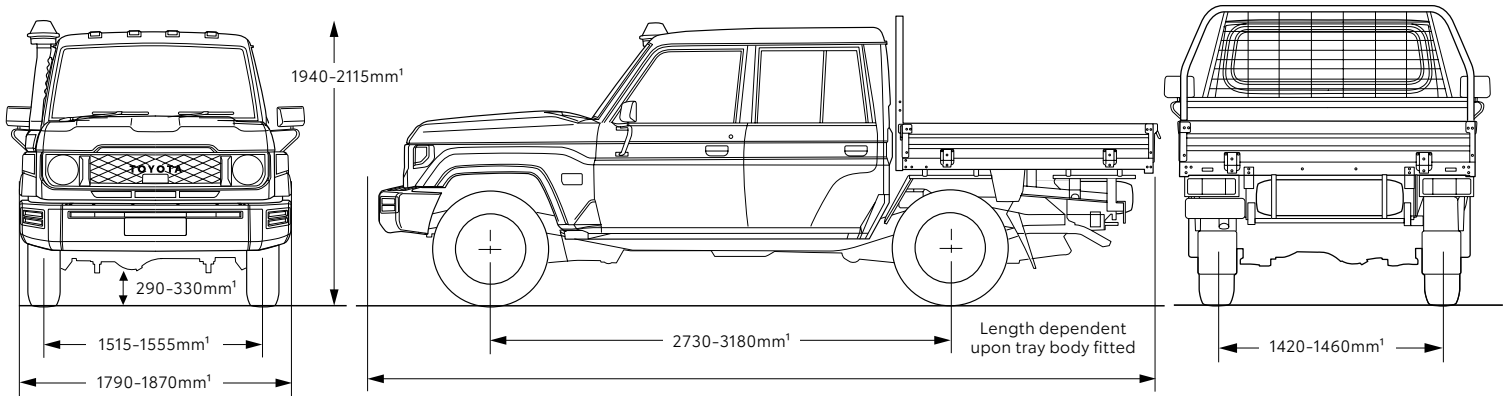


LandCruiser 70



Please Note: information is accurate as at February 2025.

Specification and imagery are indicative and should only be used as a guide. Vehicle and accessory specification, features, colour and trim may differ at the time of vehicle delivery.



MECHANICAL SPECIFICATIONS		LandCruiser 70	
ENGINE	Engine	4.5L turbo diesel engine (Available on GXL Single-Cab and GXL Double-Cab only)	2.8L turbo diesel engine
	Name	1VD-FTV	1GD-FTV
	Displacement (cm ³)	4461	2755
	Max power (kW/rpm)	151/3400	Manual: 150/3200-3400 Automatic: 150/3000-3400
	Max torque (Nm/rpm)	430/1200-3200	Manual: 450/2400-3000 Automatic: 500/1600-2800
	Valve train	32-valve DOHC	16-valve DOHC
	Fuel system	Common-rail type	Common-rail type or fuel injection
	Bore x stroke (mm)	86.0 x 96.0	92.0 x 103.6
	Compression ratio	16.8:1	15.6:1
TRANSMISSION	Transmission	5-speed manual	6-speed automatic or 5-speed manual (5-speed manual not available on WorkMate LC76 Wagon)
	Gear ratios	1st 4.529; 2nd 2.294; 3rd 1.490; 4th 1.000; 5th 0.750; Reverse 4.313	Automatic: 1st 3.6000; 2nd 2.0903; 3rd 1.4883; 4th 1.000 5th 0.6876; 6th 0.5806; Reverse 3.7324 Manual: 1st 4.529; 2nd 2.294; 3rd 1.490; 4th 1.000; 5th 0.750; Reverse 4.313
	Driveline	4WD	4WD
FUEL	Fuel type	Diesel	Diesel
	Fuel capacity (L)	Troop Carrier 180 (90 + 90), all other models 130	
STEERING	Steering system	Hydraulic	
	Steering operation	Power steering	
	Turning circle (kerb to kerb) (m)	Single-Cab Cab-Chassis and Double-Cab Cab-Chassis: 14.4; Wagon: 12.6; Troop Carrier: 13.6	
BRAKES	Brake control system	Front and rear ventilated discs	

LANDCRUISER 70 GRADE		Single-Cab Cab-Chassis			Double-Cab Cab-Chassis		Wagon		Troop Carrier		
		WorkMate	GX	GXL	WorkMate	GXL	WorkMate	GXL	WorkMate	GXL	
DIMENSIONS AND WEIGHTS (APPROXIMATE)	Overall length ¹ (mm)	5235	5235	5245	5235	5245	4865	4910	5235	5245	
	Overall width ¹ (mm)	1790	1870	1870	1790	1870	1800	1870	1800	1800	
	Overall height ¹ (mm)	1970	1955	1955	1960	1945	1955	1940	2115	2115	
	Wheelbase (mm)	3180	3180	3180	3180	3180	2730	2730	2980	2980	
	Front track (mm)	1515	1555	1555	1515-1555	1555	1515	1555	1515	1515	
	Rear track (mm)	1420	1460	1460	1420-1460	1460	1420	1460	1420	1420	
	Running clearance ¹ (mm)	330	316	316	317	302	305	290	317	315	
	Kerb weight ¹ (kg)	Manual transmission	-	-	2195	2200	2185-2240	-	2300	2360	2395
		Automatic transmission	2145	2130	2130	2200	2185	2320	2300	2360	2395
		Gross Vehicle Mass ¹ (GVM) (kg)	3510	3510	3510	3510	3510	3510	3510	3510	3510
	Gross Combined Mass ¹ (GCM) (kg)	7010	7010	7010	7010	7010	7010	7010	7010	7010	
SEATING	Capacity	2	2	2	5	5	5	5	2	5	
TOWING CAPACITY ^{3,4}	With trailer brakes	3500	3500	3500	3500	3500	3500	3500	3500	3500	
	Without trailer brakes	750	750	750	750	750	750	750	750	750	
WHEELS	16" steel wheels	•			•		•		•	•	
	16" alloy wheels		•	•		•		•			

LANDCRUISER 70 GRADE		Single-Cab Cab-Chassis			Double-Cab Cab-Chassis		Wagon		Troop Carrier	
		WorkMate	GX	GXL	WorkMate	GXL	WorkMate	GXL	WorkMate	GXL
EXTERIOR	LED headlamps and Daytime Running Lamps	•	•	•	•	•	•	•	•	•
	Manual headlamp leveling	•	•	•	•	•	•	•	•	•
	Automatic high beams	•	•	•	•	•	•	•	•	•
	LED front fog lamps			•		•		•		•
	Moulded black front bumper	•	•		•					
	Chrome garnish front bumper			•		•				
	Moulded black front and rear bumpers						•		•	
	Chrome garnish front and rear bumpers							•		•
	Front mudguards	•	•	•	•	•				
	Front and rear mudguards						•	•	•	•
	Steel side steps	•	•						•	•
	Aluminium side steps			•	•	•	•	•	•	•
	Air-intake snorkel	•	•	•	•	•	•	•	•	•
	Over-fender flares		•	•		•		•		•
	Chrome roof drip rails			•		•		•		•
Manual antenna	•	•	•	•	•	•	•	•	•	
Barn type rear tailgate doors						•	•	•	•	
INTERIOR	2x bucket front seats	•	•	•	•	•	•	•	•	•
	Front bucket seats and 2nd row bench seat				•	•	•	•	•	•
	Textured vinyl seat trim	•	•		•		•		•	
	Cloth seat and door trim			•		•		•		•
	Floor carpet			•		•		•		•
	All weather floor mats	•	•	•	•	•	•	•	•	•
	Air conditioning	•	•	•	•	•	•	•	•	•
	Driver and passenger map light	•	•	•	•	•	•	•	•	•
SAFETY	Anti-lock Braking System	•	•	•	•	•	•	•	•	•
	Driver seatbelt warning lamp	•	•	•	•	•	•	•	•	•
	Driver and front passenger airbags	•	•	•	•	•	•	•	•	•
	Curtain shield and driver's knee airbags	•	•	•						
	Reverse Camera						•	•		
	Brake Assist	•	•	•	•	•	•	•	•	•
	Vehicle Stability Control, Hill-start Assist Control, Downhill Assist Control (auto only), Electronic Brake-force Distribution and Active Traction Control	•	•	•	•	•	•	•	•	•
	Toyota Safety Sense ⁵ – including Lane Departure Alert, Pre-Collision Safety system with pedestrian detection and Daytime cyclist detection and Road Sign Assist (speed signs only)	•	•	•	•	•	•	•	•	•
STORAGE	Glove box	•	•	•	•	•	•	•	•	•
	2x bottle holders	•	•	•	•	•	•	•	•	•
	Centre console storage (Automatic engine types only)	•	•	•	•	•	•	•	•	•
MULTIMEDIA	6.7" colour touchscreen display	•	•	•	•	•	•	•	•	•
	USB charging ports ⁶			2		2		2		2
	USB multimedia input ⁶	•	•	•	•	•	•	•	•	•
	12V accessory connector	•	•	•	•	•	•	•	•	•
	AM/FM radio with MP3 compatibility	•	•	•	•	•	•	•	•	•
	Bluetooth ^{6,7} connectivity	•	•	•	•	•	•	•	•	•
	Apple CarPlay ⁸ and Android Auto ^{TM,8}	•	•	•	•	•	•	•	•	•
	2x speakers	•	•	•	•	•	•	•	•	•
4x speakers						•	•	•	•	

- Weights/mass/volumes/dimensions are approximate and subject to individual vehicle variances, and should be confirmed before fitting any accessories, towing or otherwise relying on this value.
- Maximum vehicle braked towing capacity is subject to state and federal regulatory requirements. Before towing, customers should consider the vehicle's limitations, including towing capacity specifications, gross vehicle mass (GVM), gross combined mass (GCM), kerb weight specified by the manufacturer, and ensure that individual front and rear axle load limits are not exceeded as also specified by the manufacturer. Vehicle payload calculation is GVM less kerb weight or as otherwise specified in the vehicle owner's manual. Actual payload is affected by any added load to the vehicle, including the number of occupants, luggage, accessories, and tow ball download weight. It is important to consider the actual payload, to ensure the fully loaded vehicle remains within the specified GVM limits.
- Toyota recommends use of a Load Distribution Hitch (LDH) when towing loads greater than half of

IMPORTANT NOTICE – PLEASE READ:

Toyota Australia uses its best endeavours to ensure material is accurate at the time of publishing. All information must be confirmed with your Toyota Dealer at the time of ordering, as specifications, applicability and availability may change over time. Colours depicted are a guide only and may vary from actual colours due to the printing/display process. Toyota Australia reserves the right to change and/or discontinue, without notice, models, prices, colours, materials, equipment, specifications. To the extent permitted by law, Toyota Australia will not be liable for any damage or loss incurred from relying

- the vehicle's GVM or as specified in the Owner's Manual. Based on road conditions, an LDH may not be suitable. Refer to **Toyota Basic Towing Guide**. Toyota Genuine LDH sold separately at additional cost. Warranty conditions apply. Refer to **Toyota Warranty Advantage Guide**. For more details, please refer to the vehicle's Owner's Manual/**Toyota Basic Towing Guide** or consult your authorised dealer.
- Driver assist feature. Only operates under certain conditions. Check your Owner's Manual for explanation of limitations. Please drive safely.
 - Compatibility and functionality varies depending on device.
 - Bluetooth⁶ is a registered trademark of Bluetooth SIG, Inc. Compatibility and functionality varies depending on device.
 - CarPlay⁸ is a trademark of Apple, Inc. registered in the U.S. and other countries. Android AutoTM is a trademark of Google LLC.

on the information and images contained in this material. Distributed nationally (other than in Western Australia) by Toyota Motor Corporation Australia Limited ABN 64 009 686 097. Material distributed in Western Australia by or on behalf of Prestige Motors Pty Ltd (for vehicles) and by Eastpoint Pty Ltd (for parts/accessories). Toyota Australia makes no warranties regarding (and will not be liable for) accuracy of materials distributed in Western Australia. PROOF HQ: T2024-021967. GTO-008967. VERSION: FEBRUARY 2025.