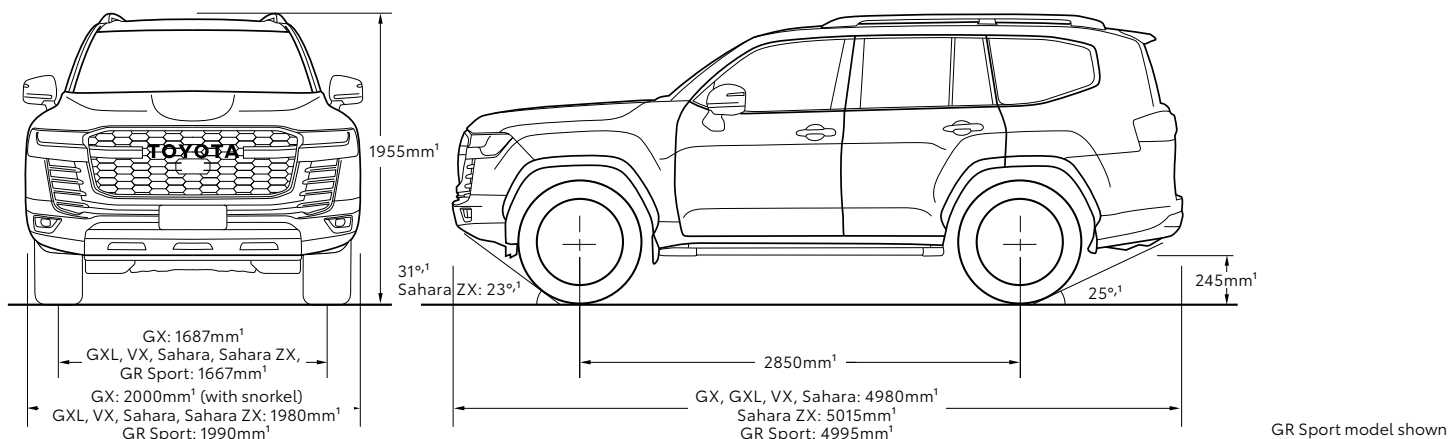


LandCruiser 300



Please Note: information is accurate as at April 2025.

Specification and imagery are indicative and should only be used as a guide. Vehicle and accessory specification, features, colour and trim may differ at the time of vehicle delivery.



GR Sport model shown

MECHANICAL SPECIFICATIONS		LandCruiser 300		
ENGINE	Engine description	3.3L V6 twin turbo diesel		
	Displacement (cm ³)	3346		
	Maximum power (kW/rpm)	227@4000		
	Maximum torque (Nm/rpm)	700@1600-2600		
	Valve mechanism	24-valve DOHC, chain drive		
	Fuel system	Fuel injection		
	Bore x stroke (mm)	86.0 x 96.0		
	Compression ratio (:1)	15.4		
TRANSMISSION	Transmission	10-speed automatic transmission with manual shift mode		
	Ratios (:1)	1st 4.923, 2nd 3.257, 3rd 2.349, 4th 1.944, 5th 1.532, 6th 1.193, 7th 1.000, 8th 0.801, 9th 0.661, 10th 0.613, Reverse 4.307		
	Differential ratio (rear) (:1)	3.307		
	Driveline	4WD		
FUEL	Fuel type	Diesel		
	Fuel economy ² (L/100km) - in laboratory conditions	Combined	8.9	
		Extra Urban	7.6	
		Urban	11.1	
	Fuel capacity (L)	80 (main tank) + 30 (sub-tank) = 110		
Diesel Particulate Filter (forced burn off) switch	•			
STEERING	Steering operation	Rack and pinion		
	Power steering system	Integral		
	Turning circle - kerb to kerb (m)	11.8		
BRAKES	Front	Ventilated disc brake with fixed caliper 4-cylinder		
	Rear	Ventilated disc brake with floating caliper 1-cylinder		
SUSPENSION	Front	Double wishbone / independent suspension		
	Rear	4-link rigid (with lateral control arm)		

LANDCRUISER 300 GRADE		GX	GXL	VX	SAHARA	SAHARA ZX	GR SPORT
DIMENSIONS (APPROXIMATE)	Length ¹ (mm)	4980	4980	4980	4980	5015	4995
	Width ¹ (mm)	2000	1980	1980	1980	1980	1990
	Height ¹ (mm)	1955	1955	1955	1955	1955	1955
WEIGHTS (APPROXIMATE)	Kerb weight ¹ (kg)	2480	2545	2620	2620	2600	2620
	Gross Vehicle Mass ¹ (GVM) (kg)	3280	3280	3280	3280	3280	3280
	Gross Combined Mass ¹ (GCM) (kg)	6750	6750	6750	6750	6750	6750
TOWING CAPACITY	With trailer brakes ³ (kg)	3500	3500	3500	3500	3500	3500
	Without trailer brakes ³ (kg)	750	750	750	750	750	750
SEATING	Capacity	5	7	7	7	5	5
	60:40 folding 2nd row seats	•					
	40:20:40 folding 2nd row seats		•	•	•	•	•
	3rd row seating		•	•	•		
	Power-folding 3rd row				•		
	8-way power adjustment for driver and front passenger seats			•	•	•	•
	8-way power adjustment for driver seat		•				
	Driver's seat power lumbar adjustment		•	•	•	•	•
	Heated and ventilated driver and front passenger seats			•	•	•	•
	Heated and ventilated 2nd row outer seats				•	•	•
	Driver's seat memory – 3 memory settings				•	•	•
WHEELS AND TYRES	Wheels	17" steel wheels	18" alloy wheels	18" premium alloy wheels	18" premium alloy wheels	20" alloy wheels	18" alloy wheels – black
	Tyres	245/75R17	265/65R18	265/65R18	265/65R18	265/55R20	265/65R18
EXTERIOR	LED headlamps with manual levelling	•	•				
	Projector Bi-LED headlamps with auto-levelling and headlamp washers			•	•	•	•
	LED Daytime Running Lamps, front turn signals and tail lights	•	•	•	•	•	•
	LED rear turn signals			•	•	•	•
	LED front fog lamps		•	•	•	•	•
	Sequential turn signals – front and rear				•	•	•
	Puddle lamps			•	•	•	•
	Side mirror indicators	•	•	•	•	•	•
	Chrome-accented exterior door mirrors and door handles				•	•	
	Auto-dimming and tilting, heated exterior door mirrors		•	•	•	•	•
	Rear privacy glass		•	•	•	•	•
	Rear spoiler	•	•	•	•	•	•
	Unique side step design integrated with lower door moulding					•	
	Illuminated side steps					•	
	Aluminium side steps		•				
	Premium side steps			•	•		•
	Unique front and rear lower bumper design and wheel arch mouldings					•	
	Unique front and rear lower bumper design and black wheel arch mouldings						•
	Premium grille			•	•	•	
	Unique black gloss mesh grille with white matte Toyota lettering						•
	Front door scuff plate ornamentation					•	•
	Chrome window mouldings			•	•	•	
	Painted lower door mouldings		•	•	•	•	
	Black lower door mouldings, outer mirror covers, door handles, window mouldings and LandCruiser logo						•
	GR Sport badge on back door						•
GR logo on grille and front doors						•	

LANDCRUISER 300 GRADE		GX	GXL	VX	SAHARA	SAHARA ZX	GR SPORT
EXTERIOR CONTINUED	Lift-up back door	•	•				
	Power back door			•	•	•	•
	Hands-free back door with kick sensor					•	
	Tilt and slide moonroof			•	•	•	•
	Roof rails		•	•	•	•	•
	Mudguards – front	•	•	•	•	•	•
	Mudguards – rear	•	•	•	•		
	Unique rear mudguards					•	•
	Snorkel	•					
INTERIOR	Fabric seats	•					
	Premium fabric seats		•				
	Synthetic seats			•			
	Leather accented seats				•	•	•
	Woodgrain-look and synthetic interior trim			•	•		
	Premium centre cluster, interior door handles and door switch trim			•	•	•	•
	Power adjustable steering wheel	•	•	•	•	•	•
	Unique advanced carbon-look steering wheel, centre console and door trim					•	•
	GR logo on steering wheel, front seat headrests and smart start engine button						•
	Heated steering wheel				•	•	•
	Premium gear shift knob			•	•	•	•
	LED front interior lamp	•	•				
	LED interior lamps including rear LED reading lamps			•	•	•	•
	Interior tailgate door paddle light						•
	LED door courtesy lamps			•	•	•	•
	Rear footwell illuminated entry lighting				•	•	•
	Illuminated vanity mirrors		•	•	•	•	•
	Auto-dimming interior rear view mirror		•	•	•	•	•
	Vinyl floor – 1st and 2nd row	•					
	Carpeted floor		•	•	•	•	•
All-weather rubber floor mats – front and rear	•	•					
Carpet floor mats – front and rear			•	•	•	•	
INSTRUMENTS AND CONTROLS	3 drive mode select	•	•	•	•		
	5 drive mode select					•	•
	Smart entry and start system	•	•	•	•	•	•
	Front dual-zone climate control	•					
	4-zone climate control		•	•	•	•	•
	Electronic Park Brake	•	•	•	•	•	•
	One-touch power windows – all doors	•	•	•	•	•	•
	Remote power windows			•	•	•	•
	Variable intermittent wipers		•				
	Automatic rain-sensing wipers			•	•	•	•
SAFETY	Toyota Safety Sense ⁴ – including Pre-Collision Safety system with pedestrian and daytime cyclist detection, Active Cruise Control (all speed), Lane Departure Alert with brake to steer and Road Sign Assist (speed signs only)	•	•	•	•	•	•
	Lane Trace Assist with steering wheel vibration	•	•	•	•	•	•
	Anti-lock Braking System and Brake Assist	•	•	•	•	•	•

LANDCRUISER 300 GRADE		GX	GXL	VX	SAHARA	SAHARA ZX	GR SPORT
SAFETY CONTINUED	Blind Spot Monitor		•	•	•	•	•
	Rear Cross Traffic Alert		•	•	•	•	•
	Dusk-sensing auto headlamps	•	•	•	•	•	•
	Adaptive High Beam System	•	•	•	•	•	•
	Reversing camera	•	•	•	•	•	•
	Parking sensors – front and rear		•	•	•	•	•
	Back Guide Monitor	•	•	•	•	•	•
	Trailer Sway Control	•	•	•	•	•	•
	Safe exit assist		•	•	•	•	•
	Trailer wiring harness connection (Trailer harness – 7 pin socket sold separately)	•	•	•	•	•	•
	10x SRS airbags	•	•	•	•	•	•
	3rd row curtain airbags		•	•	•		
	2x ISOFIX anchor points	•	•	•	•	•	•
	Front and 2nd row occupant detection	•	•	•	•	•	•
	3rd row occupant detection		•	•	•		
	Rear parking support brake			•	•	•	•
OFF-ROAD CAPABILITIES	Electronic-Kinetic Dynamic Suspension System						•
	Front and rear differential locks						•
	Adaptive Variable Suspension					•	•
	Rear torque-sensing Limited Slip Differential					•	
	Crawl control	•	•	•	•	•	•
	Downhill Assist Control	•	•	•	•	•	•
	Hill-start Assist Control	•	•	•	•	•	•
	Multi-Terrain Select		•	•	•	•	•
	4-camera Multi-Terrain Monitor with Panoramic View Monitor			•	•	•	•
	Vehicle Dynamics Integrated Management			•	•	•	•
	Active Traction Control	•	•	•	•	•	•
STORAGE	6x cup holders	•	•				
	8x cup holders			•	•	•	•
	Overhead storage for glasses	•	•	•	•	•	•
	2nd row centre armrest		•	•	•	•	•
	Cool box		•	•	•	•	•
	Driver and passenger seat back pockets			•			•
	Driver and passenger seat back pockets – hard backed				•	•	
MULTIMEDIA	8" colour touchscreen display	•	•				
	7" Multi Informational Display	•	•				
	12.3" colour touchscreen display			•	•	•	•
	12.3" Multi Informational Display			•	•	•	•
	Wireless Apple CarPlay®5 and Wireless Android Auto™4,3 (speak to your Dealer about device compatibility)	•	•	•	•	•	•
	Steering wheel controls with audio, Multi Information Display, voice recognition and telephone controls	•	•	•	•	•	•
	6x speakers	•	•				
	10x speakers			•			
	14-speaker JBL®6 premium audio				•	•	•
	Connected navigation ⁷	•	•	•	•	•	•
	Digital radio ⁷	•	•	•	•	•	•
	1x USB audio input	•	•	•	•	•	•
	5x USB charging ports – 1x front, 4x rear		•	•	•		
	3x USB charging ports – 1x front, 2x rear					•	•

LANDCRUISER 300 GRADE		GX	GXL	VX	SAHARA	SAHARA ZX	GR SPORT
MULTIMEDIA CONTINUED	12V accessory input – front and rear	•	•	•	•	•	•
	220V accessory input	•	•	•	•	•	•
	Wireless phone charger		•	•	•	•	•
	Bluetooth® connectivity	•	•	•	•	•	•
	Head-Up Display				•	•	•
	Dual rear seat entertainment – headphones not included				•	•	
SECURITY	Alarm system	•	•	•	•	•	•
TOYOTA CONNECTED SERVICES ¹⁰	Toyota Connected Services ¹⁰ – including Safety and Security features, Multimedia Connect, Driving Insights and Remote Connect – accessible via myToyota Connect ¹¹ app	1 year complimentary access					

- Weights/mass/volumes/dimensions are approximate and subject to individual vehicle variances, and should be confirmed before fitting any accessories, towing or otherwise relying on this value.
- Results for LandCruiser 300 GX, GXL, VX, Sahara, Sahara ZX and GR Sport 10-speed automatic transmission 4WD Diesel in ADR81/02 combined drive cycle fuel consumption testing. Urban cycle results achieved 11.1/100km and extra urban cycle achieved 7.6/100km. Results were produced using new sample vehicles without fitment of accessories/customisation, and may not be replicable.
- Maximum vehicle braked towing capacity is subject to state and federal regulatory requirements. Before towing, customers should consider the vehicle's limitations, including towing capacity specifications, gross vehicle mass (GVM), gross combined mass (GCM), kerb weight specified by the manufacturer, and ensure that individual front and rear axle load limits are not exceeded to the vehicle, including the number of occupants, luggage, accessories, and tow ball download weight. It is important to consider the actual payload, to ensure the fully loaded vehicle remains within the specified GVM limits. For more details, please refer to the vehicle's Owner's Manual/ Toyota Basic Towing Guide or consult your authorised dealer. Toyota recommends use of a Load Distribution Hitch (LDH) when towing loads greater than half of the vehicle's GVM or as specified in the Owner's Manual. Based on road conditions, a LDH may not be suitable. Refer to Toyota Basic Towing Guide. Toyota Genuine LDH sold separately at additional cost. Warranty conditions apply. Refer to Toyota Warranty Advantage Guide.
- Driver assist feature. Only operates under certain conditions. Check your Owner's Manual for explanation of limitations. Please drive safely.
- CarPlay® and Siri® are trademarks of Apple, Inc. registered in the U.S. and other countries. Android Auto™ is a trademark of Google LLC. Requires compatible device, USB connection or Bluetooth® connection for vehicles fitted with wireless CarPlay®, wireless Android Auto™, mobile data, network reception and GPS signal. Mobile usage at user's cost. Apps subject to change. For details, see toyota.com.au/connected.
- Product and company names are trademarks of their respective owners.
- Coverage varies based on vehicle location.
- Compatibility and functionality varies depending on device.
- Bluetooth® is a registered trademark of Bluetooth SIG, Inc. Compatibility and functionality varies depending on device.

- Complimentary period ends 1 year from delivery date. For eligible TCPO vehicles the complimentary 6 month period begins from date of activation, or for vehicles subject to an applicable new vehicle Toyota Connected Services complimentary period, at the expiry of that period. Fees apply thereafter. See toyota.com.au/connected/plans-packages. Requires activated DCM (until the earlier of 2033 or Telstra 4G sunset), compatible device, app installation/connection, third party info, mobile data, Australian network reception, GPS signal, enabled push notifications and other factors outside Toyota's control which can limit functionality. Mobile usage at user's cost. Features vary depending on vehicle model and subscription choice, and subject to change. For details see toyota.com.au/connected/connect-app.
- The myToyota Connect App supports vehicles with a Build date from 2009 onwards, with or without Toyota Connected Services. A range of vehicles are equipped with Toyota Connected Services. Features vary by model. Fees and limitations apply. See toyota.com.au/mytoyota-home/connect-overview for more information.
- Not available outside Australia, if service disabled or terminated, or after 2033/Telstra 4G sunset (whichever comes first). Dependent on sufficient battery power, 3G/4G enabled DCM, GPS signal strength, mobile network coverage, operational related components and other factors outside Toyota's control which can limit the ability or functionality of system. Owner/driver required to obtain Police report. Vehicle location information, if available, only provided to Police. Vehicle recovery not guaranteed. For details, visit toyota.com.au/connected/faq-support
- Driver assist feature only. Not a substitute for safe driving practices. Not available outside Australia, if service disabled or terminated, or after 2033/Telstra 4G sunset (whichever comes first). Only activates if vehicle's DCM detects airbag deployment or impact sensor notification. Dependent on 3G/4G enabled DCM, GPS signal strength, mobile network coverage, operational related components and other factors outside Toyota's control which can limit the ability or functionality of system. Check your Owner's Manual or toyota.com.au/connected for explanation of limitations. Please drive safely.
- Driver assist feature only. Not a substitute for safe driving practices. Not available outside Australia, if service disabled or terminated, or after 2033/Telstra 4G sunset (whichever comes first). Only operates if vehicle's SOS button is pressed and vehicle ignition is on. Dependent on 3G/4G enabled DCM, GPS signal strength, mobile network coverage, call centre capabilities and other factors outside Toyota's control which can limit ability or functionality of system. Check your Owner's Manual or toyota.com.au/connected for explanation of limitations. Please drive safely.

IMPORTANT NOTICE – PLEASE READ: Toyota Australia uses its best endeavours to ensure material is accurate at the time of publishing. All information must be confirmed with your Toyota Dealer at the time of ordering, as specifications, applicability and availability may change over time. Colours depicted are a guide only and may vary from actual colours due to the printing/display process. Toyota Australia reserves the right to change and/or discontinue, without notice, models, prices, colours, materials, equipment, specifications. To the extent permitted by law, Toyota Australia will not be liable for any damage or loss incurred from relying on the information and images contained in this material. Distributed nationally (other than in Western Australia) by Toyota Motor Corporation Australia Limited ABN 64 009 686 097. Material distributed in Western Australia by or on behalf of Prestige Motors Pty Ltd (for vehicles) and by Eastpoint Pty Ltd (for parts/accessories). Toyota Australia makes no warranties regarding (and will not be liable for) accuracy of materials distributed in Western Australia. PROOF HQ: T2025-022183. GTO-008970. VERSION: APRIL 2025.