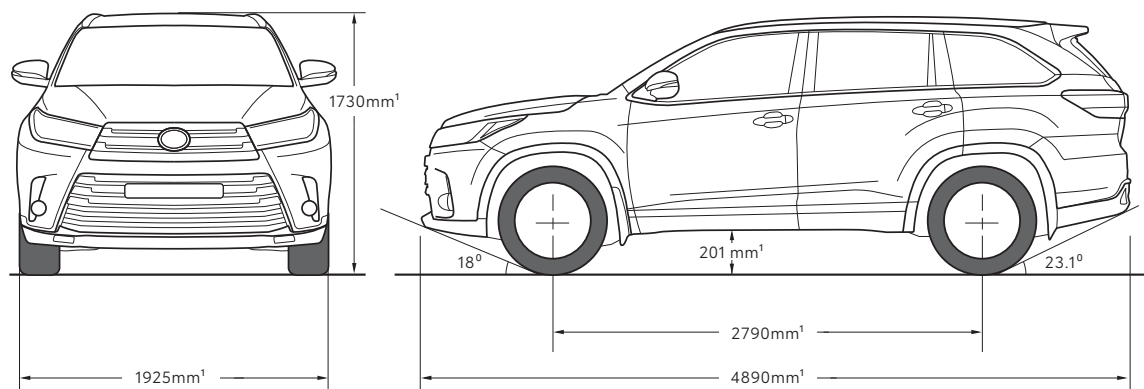


# Kluger



MECHANICAL SPECIFICATIONS		2WD	AWD
<b>ENGINE</b>	Engine code	2GR-FKS	2GR-FKS
	Engine description	3.5 litre V6 petrol engine	3.5 litre V6 petrol engine
	Displacement (cm <sup>3</sup> )	3456	3456
	Max power (kW/rpm)	218/6600	218/6600
	Max torque (Nm/rpm)	350/4700	350/4700
	Valve train	24-Valve DOHC, chain drive with Dual VVT-i	24-Valve DOHC, chain drive with Dual VVT-i
	Bore x stroke (mm)	94.0 x 83.0	94.0 x 83.0
	Compression ratio	11.8:1	11.8:1
<b>TRANSMISSION</b>	Type	8-speed automatic transmission	8-speed automatic transmission
	Gear ratios	1st 5.519; 2nd 3.184; 3rd 2.050; 4th 1.491; 5th 1.234; 6th 1.000; 7th 0.800; 8th 0.673; Rev 4.220	1st 5.519; 2nd 3.184; 3rd 2.050; 4th 1.491; 5th 1.234; 6th 1.000; 7th 0.800; 8th 0.673; Rev 4.220
	Differential gear ratio – front/rear	3.003/–	3.003/2.277
	Transaxle type	UA80E	UA80F
<b>FUEL</b>	Fuel type	Petrol	Petrol
	Fuel economy <sup>2</sup> – combined	9.1L/100km (GX & GXL) / 9.3L/100km (Grande)	9.5L/100km
	Fuel capacity (L)	72	72
<b>STEERING</b>	Steering gear type	Rack & Pinion	Rack & Pinion
	Steering gear ratio	14.7:1	14.7:1
	Steering operation	Electronic Power Steering (EPS)	Electronic Power Steering (EPS)
	Turning circle (m)	11.8	11.8
<b>BRAKES</b>	Brake type – front	Ventilated disc	Ventilated disc
	Brake type – rear	Solid disc	Solid disc
<b>SUSPENSION</b>	Front	MacPherson Strut type	MacPherson Strut type
	Rear	Trailing arm double wishbone type	Trailing arm double wishbone type

KLUGER MODEL		GX	GXL	Grande
<b>WEIGHTS (APPROXIMATE)</b>	Kerb weight (kg) <sup>1</sup> – 2WD/AWD	1980/2045	1980/2045	2025/2100
	Gross Vehicle Mass <sup>1</sup> (GVM)(kg) – 2WD/AWD	2690/2760	2690/2760	2690/2760
<b>CAPACITIES</b>	Seating capacity	7	7	7
	Cargo space capacity (L) with 3rd row seats down	529	529	529
	Towing capacity (Braked) <sup>3</sup>	2000kg	2000kg	2000kg
<b>WHEELS</b>	Alloy wheels	18"	18" – level 2 styling	19"
<b>EXTERIOR</b>	Halogen headlamps	•	•	•
	Daylight Running Lamps (DRLs )	•	•	•
	Fog lamps	•	•	•
	Power exterior mirrors	•	•	•
	Door sill scuff plates	•	•	•
	Roof rails	•	•	•
	Front and rear mudflaps	•	•	•
	Privacy glass	•	•	•
	Power back door with glass hatch	•	•	•
	Second row retractable sunshade	•	•	•
	Tilt and slide moonroof	•	•	•

KLUGER MODEL		GX	GXL	Grande
INTERIOR	60:40 split second and third row seats	•	•	•
	Driver 12-way power, passenger 4-way manual adjustable seat		•	
	Driver 12-way power, passenger 4-way power adjustable seat			•
	Driver and front passenger heated seats		•	
	Driver and front passenger heated and ventilated seats			•
	Fabric seats	•		
	Leather accented interior		•	•
	Power socket – front: 2 x 12V, rear: 1 x 12V	•	•	•
	Steering wheel with audio, MID, telephone controls and LDA	•		
	Premium steering wheel with audio, MID, telephone controls and LDA		•	•
	Premium gear lever		•	•
INSTRUMENTS AND CONTROLS	Active Cruise Control (ACC)	•	•	•
	Automatic headlamps – light sensitive – with Automatic High Beam	•	•	•
	ECO driving indicator zone display	•	•	•
	Automatic rain sensing wipers		•	•
	Manual air conditioning	•		
	3-zone automatic climate control air conditioning		•	•
	Multi Information Display (MID)	•	•	•
	Power windows – driver and passenger auto up/down	•	•	
	Power windows – all auto up/down			•
	Smart entry and start system		•	•
	Auto-dimming rear view mirror			•
SAFETY	Anti-lock Braking System (ABS), Brake Assist (BA) and Electronic Brake-force Distribution (EBD)	•	•	•
	Vehicle Stability Control (VSC)	•	•	•
	Hill-start Assist Control (HAC)	•	•	•
	Downhill Assist Control (DAC) – AWD only	•	•	•
	Seven SRS airbags	•	•	•
	Seatbelt warning – driver, front passenger and second row passengers	•	•	•
	Pre-Collision Safety system with pedestrian detection	•	•	•
	Blind Spot Monitor (BSM) with Rear Cross Traffic Alert (RCTA)	•	•	•
	Lane Departure Alert (LDA) with Steering Control and Sway Warning	•	•	•
	Rear parking sensors	•	•	•
	Front parking sensors			•
	Reversing camera	•		
	Reversing camera with Back Guide Monitor		•	•
	Panoramic view monitor			•
	Child restraint anchorage points x 3	•	•	•
	Luggage area hooks	•	•	•
	Engine immobiliser system	•	•	•
Theft deterrent system – alarm	•	•	•	
STORAGE	Cup holders and bottle holders	•	•	•
	Instrument panel tray	•	•	•
	Central console box	•	•	•
MULTIMEDIA	9" rear seat entertainment with Blu-ray player			•
	6.1" screen audio display with USB connectivity, <sup>4</sup> CD player, AUX <sup>4</sup> input and AM/FM tuner	•		
	8" screen audio display with CD player, USB <sup>4</sup> connectivity, AUX <sup>4</sup> , satellite navigation <sup>5</sup> and digital radio <sup>5</sup>		•	•
	6 speakers	•	•	•
	Bluetooth <sup>6</sup> connectivity	•	•	•

1 Weights/mass/volumes/dimensions are approximate and subject to individual vehicle variances, and should be confirmed before fitting any accessories, towing or otherwise relying on this value.

2 Achieved in test conditions for comparison purposes only. Actual fuel consumption varies depending on driving conditions/style, vehicle condition, load and options/accessories fitted. Source: ADR81/02 combined/urban/extra urban (L/100km) for manual / auto models.

3 Towing capacity subject to regulatory requirements, tow bar and vehicle design and towing equipment limitations. Ask your Dealer for Toyota Genuine tow bar capacity and availability details.

4 Compatibility and functionality varies depending on device.

5 Coverage varies based on vehicle location.

6 Bluetooth<sup>®</sup> is a registered trademark of Bluetooth SIG, Inc.

**IMPORTANT NOTICE – PLEASE READ:**

Toyota Australia uses its best endeavours to ensure material is accurate at the time of publishing. All information must be confirmed with your Toyota Dealer at the time of ordering, as specifications, applicability and availability may change over time. Colours depicted are a guide only and may vary from actual colours due to the printing/display process. Toyota Australia reserves the right to change and/or discontinue, without notice, models, prices, colours, materials, equipment, specifications. To the extent permitted by law, Toyota Australia will not be liable for any damage or loss incurred from relying on the information and images contained in

this material. Distributed nationally (other than in Western Australia) by Toyota Motor Corporation Australia Limited ABN 64 009 686 097. Material distributed in Western Australia by or on behalf of Prestige Motors Pty Ltd (for vehicles) and by Eastpoint Pty Ltd (for parts/ accessories). Toyota Australia makes no warranties regarding (and will not be liable for) accuracy of materials distributed in Western Australia. PROOF HQ: T2020-000016. GTO-001740. VERSION: JANUARY 2020.