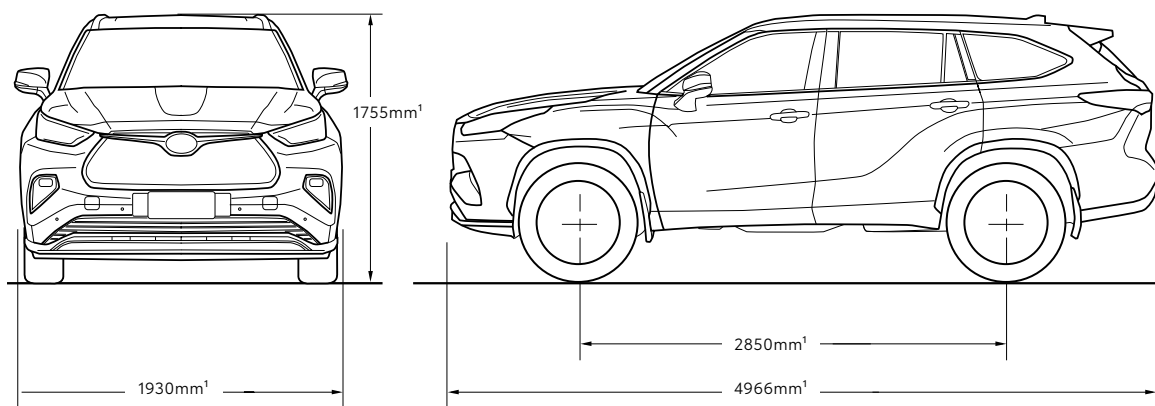


Kluger



Please Note: information is accurate as at March 2022.

Specification and imagery are indicative and should only be used as a guide. Vehicle and accessory specification, features, colour and trim may differ at the time of vehicle delivery.



MECHANICAL SPECIFICATIONS		2WD	AWD	HYBRID AWD
ENGINE	Engine code	2GR-FKS	2GR-FKS	A25A-FXS
	Engine description	3.5 litre V6 petrol engine	3.5 litre V6 petrol engine	2.5 litre I4
	Displacement (cm ³)	3456	3456	2487
	Max engine power (kW/rpm)	218/6600	218/6600	142/6000
	Max power (kW) – combined maximum output, petrol engine and electric motor			184
	Max engine torque (Nm/rpm)	350/4700	350/4700	242/4400
	Valve train	24-Valve DOHC, chain drive with Dual VVT-i	24-Valve DOHC, chain drive with Dual VVT-i	16-Valve DOHC, chain drive with Dual VVT-i
	Bore x stroke ¹ (mm)	94.0 x 83.0	94.0 x 83.0	87.5 x 103.48
	Compression ratio	11.8:1	11.8:1	14.0:1
TRANSMISSION	Type	8-speed automatic transmission	8-speed automatic transmission	Continuously Variable Transmission (Auto CVT)
	Gear ratios	1st 5.519; 2nd 3.184; 3rd 2.050; 4th 1.491; 5th 1.234; 6th 1.000; 7th 0.800; 8th 0.673; Rev 4.220	1st 5.519; 2nd 3.184; 3rd 2.050; 4th 1.491; 5th 1.234; 6th 1.000; 7th 0.800; 8th 0.673; Rev 4.220	
	Final drive gear ratio	3.003	3.003	3.638
	Transaxle type	UA80E	UA80F	P810
FUEL	Minimum fuel type	Unleaded (91 RON)	Unleaded (91 RON)	Premium Unleaded (95 RON)
	Fuel economy ² – combined	8.7L/100km	8.8L/100km (GX/GXL) 8.9L/100km (Grande)	5.6L/100km
	Fuel capacity (L)	68	68	65
STEERING	Steering gear type	Rack and pinion	Rack and pinion	Rack and pinion
	Steering operation	Electronic Power Steering (EPS)	Electronic Power Steering (EPS)	Electronic Power Steering (EPS)
	Turning circle (m)	11.4	11.4	11.4
BRAKES	Brake type – front	Ventilated disc	Ventilated disc	Ventilated disc
	Brake type – rear	Ventilated disc	Ventilated disc	Ventilated disc
Kluger Model		GX	GXL	Grande
WEIGHTS (APPROXIMATE)	Kerb weight (kg) ¹ – 2WD/petrol AWD/hybrid AWD	1885/1970/2045	1885/1970/2045	1955/2045/2090
	Gross Vehicle Mass ¹ (kg) – 2WD/AWD	2620/2685	2620/2685	2620/2685
CAPACITIES	Seating capacity	7	7	7
	Cargo space capacity (L) – with 3rd row seats folded down – with 2nd and 3rd row seats folded down	241 552 1150	241 552 1150	241 552 1150
	Towing capacity ³ (braked)	2000kg	2000kg	2000kg
WHEELS	Alloy wheels	18"	18" – level 2 styling	
	Chromtec ^{®10} wheels			20"

KLUGER MODEL		GX	GXL	Grande
EXTERIOR	Parabola LED headlamps	•	•	
	Projector LED headlamps			•
	Daylight Running Lamps	•	•	•
	Fog lamps	•	•	•
	Heated power side mirrors	•	•	•
	Roof rails		•	•
	Shark fin antenna - black	•	•	
	Shark fin antenna - body coloured			•
	Privacy glass – rear	•	•	•
	Power back door		•	
	Power back door with kick sensor			•
	2nd row retractable sunshade			•
	Panoramic glass moonroof			•
	Roof mounted rear seat entertainment and tilt and slide moonroof (replacing the panoramic glass moonroof)			Optional
	LED rear combination lamp	•	•	•
	Grille trim - silver painted	•	•	
	Grille trim - chrome plated			•
	Body coloured door handles	•	•	•
	Painted rear lower bumper			•
	Mudguards - front and rear	•	•	•
Rear spoiler	•	•	•	
INTERIOR	60/40 split fold 2nd and 3rd row seats	•	•	•
	Sliding 2nd row seats	•	•	•
	8-way power adjustable driver and front passenger seats		•	•
	Driver and front passenger heated seats		•	
	Driver and front passenger heated and ventilated seats			•
	Fabric interior	•		
	Synthetic interior		•	
	Premium interior			•
	Fabric door trim with painted door ornament	•		
	Synthetic door trim with painted door ornament		•	
	Synthetic door trim with wood-look ornamentation			•
	Soft touch instrument panel - painted	•	•	
	Premium soft instrument panel - plated with ambient lighting			•
	Door handles - black resin	•		
	Door handles - plated		•	•
	Console box with middle tray	•	•	•
	Power socket – 2x front 12V DC outlets, 3x front USB ports, 2x back USB ports	•	•	•
	Leather accented steering wheel with audio controls and telephone controls	•	•	•
	Leather accented gear lever	•	•	•
	Carpet floor mats	•	•	•
	Manual tilt and telescopic steering column	•	•	•
	Front door sill metal scuff plates			•
	Interior ambient lighting			•
	Driver's seat memory			•
Power driver seat lumbar support		•	•	

KLUGER MODEL		GX	GXL	Grande
INSTRUMENTS AND CONTROLS	4.2" colour Multi Information Display	•		
	7" colour Multi Information Display		•	•
	ECO driving indicator zone display	•	•	•
	Automatic rain-sensing wipers	•	•	•
	Manual air conditioning (petrol)	•		
	3-zone automatic climate control air conditioning	Hybrid only	•	•
	Power windows – all automatic up/down	•	•	•
	Smart entry and start system	•	•	•
	Electrochromatic interior rear view mirror			•
	Electronic Parking Brake	•	•	•
	Drive mode select - Normal, Eco and Sport	•	•	•
	Head-Up Display			•
	SAFETY	Anti-lock Braking System, Brake Assist and Electronic Brake-force Distribution	•	•
Vehicle Stability Control		•	•	•
Hill-start Assist Control		•	•	•
Downhill Assist Control – petrol AWD only		•	•	•
7 SRS airbags		•	•	•
Seatbelt warning – available for all 7 seats		•	•	•
Toyota Safety Sense – including Pre-Collision Safety system with pedestrian and daytime cyclist detection and Intersection Turn Assistance, Lane Departure Alert with steering assist, Automatic High Beam, Active Cruise Control with curve speed reduction, Lane Trace Assist and Road Sign Assist (speed signs only)		•	•	•
Blind Spot Monitor with Rear Cross Traffic Alert		•	•	•
Rear parking sensors		•	•	•
Front parking sensors		•	•	•
Reversing camera with fixed guidelines		•		
Reversing camera with Back Guide Monitor			•	•
Panoramic View Monitor				•
3 child restraint anchorage points		•	•	•
Luggage area hooks		•	•	•
Engine immobiliser system	•	•	•	
STORAGE	Cup holders and bottle holders	•	•	•
	Instrument panel tray	•	•	•
	Central console box	•	•	•
	Tonneau cover	•	•	•
MULTIMEDIA	8" colour touchscreen display with Apple CarPlay ^{5,6} and Android Auto ^{7,6,7} (speak to your Dealer about device compatibility), USB ⁴ connectivity and digital radio ⁸	•	•	•
	Satellite navigation ⁸		•	•
	6-speaker sound system	•	•	
	Bluetooth ⁹ connectivity	•	•	•
	11-speaker JBL ¹⁰ sound system			•

- Weights/mass/volumes/dimensions are approximate and subject to individual vehicle variances, and should be confirmed before fitting any accessories, towing or otherwise relying on this value.
- Achieved in test conditions for comparison purposes only. Actual fuel consumption varies depending on driving conditions/style, vehicle condition, load and options/ accessories fitted. Source: ADR81/02 combined (L/100km).
- Towing capacity subject to regulatory requirements, tow bar and vehicle design and towing equipment limitations. Ask your Dealer for Toyota Genuine tow bar capacity and availability details.
- Compatibility and functionality varies depending on device.

IMPORTANT NOTICE – PLEASE READ:

Toyota Australia uses its best endeavours to ensure material is accurate at the time of publishing. All information must be confirmed with your Toyota Dealer at the time of ordering, as specifications, applicability and availability may change over time. Colours depicted are a guide only and may vary from actual colours due to the printing/display process. Toyota Australia reserves the right to change and/or discontinue, without notice, models, prices, colours, materials, equipment, specifications. To the extent permitted by law, Toyota Australia will not be liable for any damage or loss incurred from relying on the information and images contained in

- CarPlay is a trademark of Apple, Inc. registered in the U.S. and other countries.
- Requires compatible device, USB connection, mobile data, network reception and GPS signal. Mobile usage at user's cost. Apps subject to change. For details see toyota.com.au/connected
- Android AutoTM is a trademark of Google LLC.
- Coverage varies based on vehicle location.
- Bluetooth[®] is a registered trademark of Bluetooth SIG, Inc.
- Product and company names are trademarks of their respective owners.

this material. Distributed nationally (other than in Western Australia) by Toyota Motor Corporation Australia Limited ABN 64 009 686 097. Material distributed in Western Australia by or on behalf of Prestige Motors Pty Ltd (for vehicles) and by Eastpoint Pty Ltd (for parts/accessories). Toyota Australia makes no warranties regarding (and will not be liable for) accuracy of materials distributed in Western Australia. PROOF HQ: T2022-018001. GTO-005271. VERSION: MARCH 2022.