

A HiLux built for every need

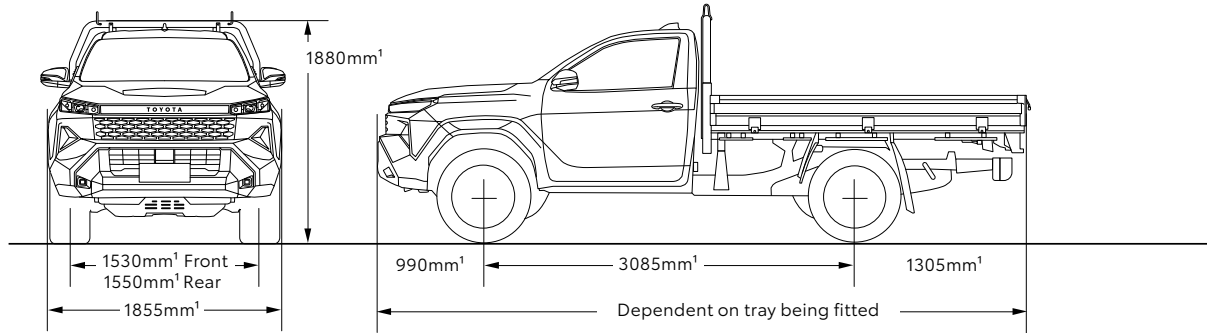


Please Note: information is accurate as at June 2026.

Specification and imagery are indicative and should only be used as a guide. Vehicle and accessory specification, features, colour and trim may differ at the time of vehicle delivery.

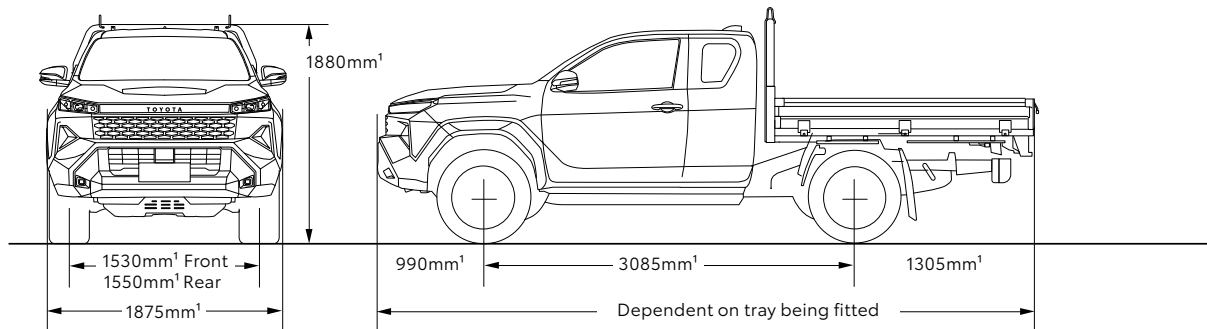
Single-Cab

Single-Cab Cab-Chassis



Extra-Cab

Extra-Cab Cab-Chassis



IMPORTANT NOTICE - PLEASE READ: Toyota Australia uses its best endeavours to ensure material is accurate at the time of publishing. All information must be confirmed with your Toyota Dealer at the time of ordering, as specifications, applicability and availability may change over time. Colours depicted are a guide only and may vary from actual colours due to the printing/display process. Toyota Australia reserves the right to change and/or discontinue, without notice, models, prices, colours, materials, equipment, specifications. To the extent permitted by law, Toyota Australia will not be liable for any damage or loss incurred from relying on the information and images contained in this material. Distributed nationally (other than in Western Australia) by Toyota Motor Corporation Australia Limited ABN 64 009 686 097. Material distributed in Western Australia by or on behalf of Prestige Motors Pty Ltd (for vehicles) and by Eastpoint Pty Ltd (for parts/accessories). Toyota Australia makes no warranties regarding (and will not be liable for) accuracy of materials distributed in Western Australia. PROOF HQ: T2026-023339. GTO-010060-00. VERSION: JUNE 2026.

A HiLux built for every need

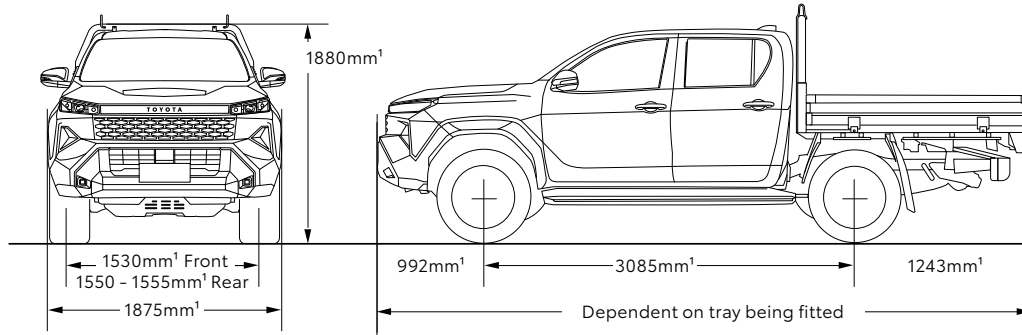


Please Note: information is accurate as at June 2026.

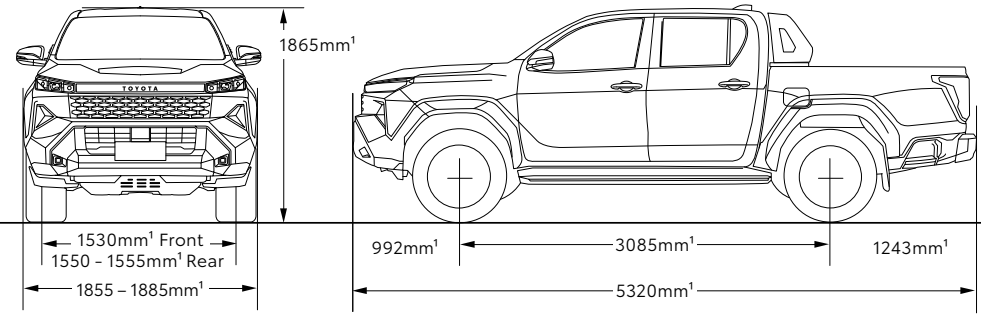
Specification and imagery are indicative and should only be used as a guide. Vehicle and accessory specification, features, colour and trim may differ at the time of vehicle delivery.

Double-Cab

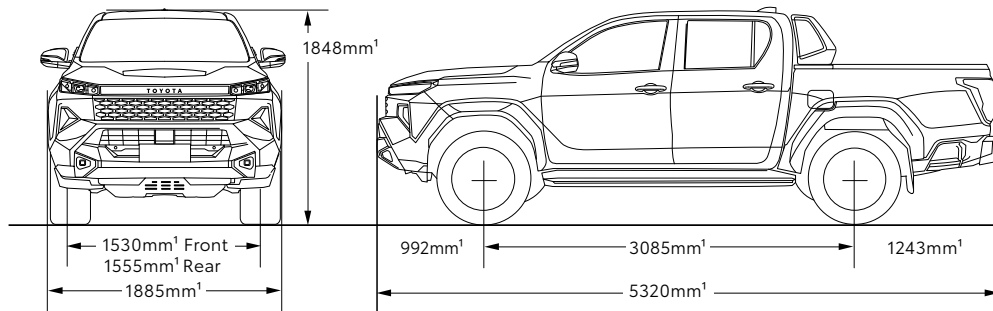
Double-Cab Cab-Chassis



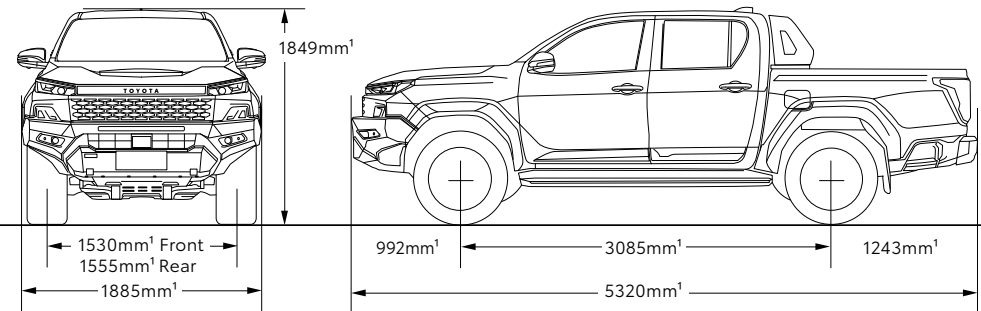
Double-Cab Pick-Up



Double-Cab Pick-Up HiLux Rogue



Double-Cab Pick-Up HiLux Rugged X



IMPORTANT NOTICE - PLEASE READ: Toyota Australia uses its best endeavours to ensure material is accurate at the time of publishing. All information must be confirmed with your Toyota Dealer at the time of ordering, as specifications, applicability and availability may change over time. Colours depicted are a guide only and may vary from actual colours due to the printing/display process. Toyota Australia reserves the right to change and/or discontinue, without notice, models, prices, colours, materials, equipment, specifications. To the extent permitted by law, Toyota Australia will not be liable for any damage or loss incurred from relying on the information and images contained in this material. Distributed nationally (other than in Western Australia) by Toyota Motor Corporation Australia Limited ABN 64 009 686 097. Material distributed in Western Australia by or on behalf of Prestige Motors Pty Ltd (for vehicles) and by Eastpoint Pty Ltd (for parts/accessories). Toyota Australia makes no warranties regarding (and will not be liable for) accuracy of materials distributed in Western Australia. PROOF HQ: T2026-023339. GTO-010060-00. VERSION: JUNE 2026.

HiLux 4X2



4X2 HILUX GRADE	Engine Type	Transmission	Cab	Style
HiLux WorkMate	Diesel	Automatic	Single-Cab	Cab-Chassis
			Double-Cab	Pick-Up
		Manual	Single-Cab	Cab-Chassis
HiLux SR	Diesel	Automatic	Double-Cab	Pick-Up

HILUX 4X2		2.8L turbo diesel	
ENGINE	Engine code	1GD-FTV	
	Displacement (cm ³)	2755	
	Maximum power (kW@rpm)	150 @ 3400 M/T, 150 @ 3000-3400 A/T	
	Maximum torque (Nm@rpm)	420 @ 1400-3400 M/T, 500 @ 1600-2800 A/T	
	Valve train	16-valve DOHC	
	Fuel system	Fuel injection with common rail	
	Fuel capacity (L)	80	
	Bore x stroke (mm)	92.0 x 103.6	
	Compression ratio	15.6	
TRANSMISSION	Type	Manual	Automatic
	Number of ratios	6-speed	6-speed
	Ratios (:1)	1st: 4.784 2nd: 2.423 3rd: 1.443 4th: 1.000 5th: 0.826 6th: 0.643 Rev: 4.066	1st: 3.600 2nd: 2.090 3rd: 1.488 4th: 1.000 5th: 0.687 6th: 0.580 Rev: 3.732
	Differential ratio (rear) (:1)	3.583	3.909

HILUX 4X2			4x2		
GRADE			WorkMate		SR
BODY TYPE			Single-Cab	Double-Cab	Double-Cab
TRAY TYPE			Cab-Chassis	Pick-Up	Pick-Up
ENGINE			Diesel	Diesel	Diesel
MECHANICAL	Fuel consumption ² (L/100km) – manual / automatic Results were achieved under laboratory conditions and do not reflect the fuel consumption in real world driving	Combined	Manual: 7.3 / Auto: 7.4	Auto only: 7.4	Auto only: 7.4
		Extra Urban	Manual: 7.1 / Auto: 6.9	Auto only: 6.9	Auto only: 6.9
		Urban	Manual: 7.6 / Auto: 8.2	Auto only: 8.2	Auto only: 8.2
	Diesel particulate filter (manual burn off) switch		•	•	•
	2.8L turbo diesel		•	•	•
	6-speed manual transmission		•		
	6-speed automatic transmission		•	•	•
DIMENSIONS (APPROXIMATE)	Length / width / height ¹ (mm)		5380 / 1855 / 1880	5320 / 1855 / 1865	5320 / 1855 / 1865
	Wheelbase ¹ (mm)		3085	3085	3085
	Track – front / rear ¹ (mm)		1530 / 1550	1530 / 1550	1530 / 1550
	Overhang – front / rear ¹ (mm)		990 / 1305	990 / 1240	990 / 1240
WEIGHT (APPROXIMATE)	Maximum kerb weight manual ¹ (kg)		1690		
	Maximum kerb weight automatic ¹ (kg)		1700	2035	2045
	Gross Vehicle Mass ¹ (GVM) (kg)		2950	2970	2980
	Gross Combined Mass ¹ (GCM) (kg)		5800	5870	5880
TOWING CAPACITY³	With trailer brakes (kg) – manual / automatic		2900	2900	2900
	Without trailer brakes (kg)		750	750	750
SEATING	Capacity		2	5	5
WHEELS AND TYRES	Wheels		17" Steel	17" Steel	17" Alloy
	Tyres		265 / 65R17		
STEERING	Steering gear type		Electric Power Steering		
BRAKES	System		Vacuum boosted hydraulic system		
	Front / rear		Ventilated disc brake with fixed caliper 4-cylinder / Leading-trailing drum brake		
SUSPENSION	Front / rear		Independent front suspension coil / Rigid leaf rear		

HILUX 4X2		WorkMate		SR
BODY TYPE		Single-Cab	Double-Cab	Double-Cab
TRAY TYPE		Cab-Chassis	Pick-Up	Pick-Up
EXTERIOR	Body colour front bumper and painted front grille	•	•	•
	Front and rear mud guards	Front only	•	•
	Deck guard frame		•	•
	LED headlamps	•	•	•
	Daytime Running Lights	•	•	•
	Headlamp levelling	Manual only	Manual only	Manual only
	Shark fin antenna	•	•	•
	Rear A-Deck with deck step and internal tie down hooks		•	•
	Rear tailgate handle		No lock	Lock
	Tailgate damper with lift assist		•	•
	Intermittent windshield wiper	•	•	•
	Time adjustable windscreen wipers			•
	Side steps			•
	Overfender moulding			•
	Front spoiler	•		•
Front LED fog lamps			•	
INTERIOR	7" colour Multi Information Display	•	•	•
	All-weather floor mats	•	•	•
	Driver and passenger seat back pocket		•	•
	Durable vinyl floor covering	•	•	•
	Parking brake	Lever	Lever	Lever
	PVC shift knob	•	•	
	Leather accented shift knob			•
	Urethane steering wheel	•	•	
	Leather accented steering wheel			•
	Steering wheel column (tilt, telescopic with lock)	•	•	•
	Front arm rests (front door and console box)	•	•	•
	Rear seat arm rest			•
	Passenger seat shopping hook			•
	Passenger sun visor mirror with lid			•
Silver interior door handles			•	

HILUX 4X2		WorkMate		SR
BODY TYPE		Single-Cab	Double-Cab	Double-Cab
TRAY TYPE		Cab-Chassis	Pick-Up	Pick-Up
SEATING	Basic front seats	•	•	
	High grade fabric front seats			•
	Rear seat with one piece tip up		•	
	60:40 split rear seat			•
FEATURES	Rotary ignition key	•	•	
	Smart entry and start system			•
	Front tow hooks	•	•	•
	Fuel tank protector	•	•	•
	Front and rear power windows	Front only	•	•
	Side defroster	•	•	•
	Air conditioning – manual	•	•	•
	220V accessory socket			•
	Eco, Normal, Sport drive modes			•
	Day-to-night rear view mirror	•	•	•
STORAGE	Glove box – lockable	•	•	•
	Upper glove box	No lid	No lid	With lid
	Front cup holder/s – in dash	•	•	•
	Rear cup holders – in arm rest			•
	Centre console box with lid	•	•	•
MULTIMEDIA	12.3" colour touchscreen display	•	•	•
	Wired and wireless Apple CarPlay ^{®4,5}	•	•	•
	Wired and wireless Android Auto ^{™4,6}	•	•	•
	Embedded Navigation ⁷ including Road Sign Assist ⁸ (speed limit display), Intersection guidance, Recommended lane guidance, Rear junction view, Hook turn guidance	•	•	•
	Embedded voice command	•	•	•
	DAB+ with text information	•	•	•
	USB-C ports	2x front	2x front	2x front and 2x rear
	Bluetooth ^{®9} connectivity	•	•	•
	Number of speakers	2	4	8
	Qi wireless ¹⁰ phone charger			•

HILUX 4X2		WorkMate		SR
BODY TYPE		Single-Cab	Double-Cab	Double-Cab
TRAY TYPE		Cab-Chassis	Pick-Up	Pick-Up
TOYOTA CONNECTED SERVICE ^{12,13}	Toyota Essentials Emergency	Complimentary until Telstra 4G sunset or termination of services (whichever is earlier) in accordance with our T&Cs ¹¹		
	Toyota Essentials	Complimentary until Telstra 4G sunset or termination of services (whichever is earlier) in accordance with our T&Cs ¹¹		
	Toyota Connect+	1 year complimentary access – fees apply thereafter. Subject to Telstra 4G sunset or termination of services (whichever is earlier) in accordance with our T&Cs ¹¹		
	Toyota Connected Multimedia	1 year complimentary access – fees apply thereafter. Subject to Telstra 4G sunset or termination of services (whichever is earlier) in accordance with our T&Cs ¹¹		
SAFETY	Toyota Safety Sense ⁸ – including Automatic High Beam ⁹ , Dynamic Radar Cruise Control ⁸ , Lane Departure Alert ⁸ , Lane Trace Assist ⁸ , Pre-Collision Safety System with pedestrian and daytime cyclist detection ⁸ and Road Sign Assist (speed signs only) ⁸	•	•	•
	Blind Spot Monitor ¹³	•	•	•
	Rear Cross Traffic Alert ¹³	•		•
	Rear seat reminder		•	•
	Parking sensors ⁸ – front and rear		•	•
	Child seat anchors (Isofix + Tether Anchor)		•	•
	Vehicle stability control (Auto LSD)	•	•	•
	Hazard warning indicator	•	•	•
	Front and rear seatbelt warning	Front only	•	•
	Electronic Brake-force Distribution	•	•	•
	Anti-lock Braking System	•	•	•
	Rear differential lock			•
	Tyre Pressure Monitoring System			•
	Reversing camera ⁸	•	•	•
	Panoramic View Monitor ⁸			•
8x SRS airbags	•	•	•	
SECURITY	Engine immobiliser	•	•	•
	Alarm	•	•	•
	Siren and intrusion detection			•
	Horn	One piece	One piece	Two piece
	Cabin Detection Alert System		•	•
	Power door locks	•	•	•
	Remote keyless entry	•	•	•

HiLux 4X4



4X4 HILUX GRADE	Engine Type	Transmission	Cab	Style
HiLux WorkMate	Turbo diesel	Automatic	Single-Cab	Cab-Chassis
			Double-Cab	Cab-Chassis Pick-Up
HiLux SR	Turbo diesel	Automatic	Extra-Cab	Cab-Chassis
		Manual	Double-Cab	Cab-Chassis
	Turbo diesel with V-Active (48V)	Automatic	Double-Cab	Cab-Chassis Pick-Up
HiLux SR5	Turbo diesel	Manual	Double-Cab	Pick-Up
	Turbo diesel with V-Active (48V)	Automatic	Double-Cab	Cab-Chassis Pick-Up
HiLux SR5+	Turbo diesel	Manual	Double-Cab	Pick-Up
	Turbo diesel with V-Active (48V)	Automatic	Double-Cab	Cab-Chassis Pick-Up
HiLux Rogue	Turbo diesel with V-Active (48V)	Automatic	Double-Cab	Pick-Up
HiLux Rugged X	Turbo diesel with V-Active (48V)	Automatic	Double-Cab	Pick-Up

HILUX – 4X4		2.8L turbo diesel	2.8L turbo diesel V-Active (48V) technology
ENGINE	Engine code	1GD-FTV	1GD-FTV 48V
	Displacement (cm ³)	2755	2755
	Maximum power (kW/rpm)	150 @ 3400 M/T, 150 @ 3000-3400 A/T	150 @ 3000-3400 A/T
	Maximum torque (Nm/rpm)	420 @ 1400-3400 M/T, 500 @ 1600-2800 A/T	500 @ 1600-2800 A/T
	Valve train	16-valve DOHC	16-valve DOHC
	Fuel system	Fuel injection with common rail	Fuel injection with common rail
	Fuel capacity (L)	80	80
	Bore x stroke (mm)	92.0 x 103.6	92.0 x 103.6
	Compression ratio	15.6	15.6
TRANSMISSION	Type	Manual	Automatic
	Number of ratios	6-speed	6-speed
	Ratios (:1)	1st: 4.784 2nd: 2.423 3rd: 1.443 4th: 1.000 5th: 0.826 6th: 0.643 Rev: 4.066	1st: 3.600 2nd: 2.090 3rd: 1.488 4th: 1.000 5th: 0.688 6th: 0.581 Rev: 3.732
	Differential ratio (rear) (:1)	3.583	3.909

HILUX – 4X4		WorkMate		SR		SR5	SR5+	Rogue	Rugged X
BODY TYPE		Single-Cab	Double-Cab	Extra-Cab	Double-Cab	Double-Cab	Double-Cab	Double-Cab	Double-Cab
SAFETY CONTINUED	Front and rear seatbelt warning		•	•	•	•	•	•	•
	Electronic Brake-force Distribution	•	•	•	•	•	•	•	•
	Anti-lock Braking System	•	•	•	•	•	•	•	•
	Downhill Assist Control ⁸			•	Auto only	•	•	•	•
	Rear differential lock	•		•	•	•	•	•	•
	Tyre Pressure Monitoring System			•	•	•	•	•	•
	Panoramic View Monitor ⁸ (Analogue)			Cab-Chassis only	Manual and/or Cab-Chassis only	Manual and/or Cab-Chassis only	Manual and/or Cab-Chassis only		
	Panoramic View Monitor ⁸ (Digital)				Auto Pick-Up only	Auto Pick-Up only	Auto Pick-Up only	•	•
	Multi-Terrain Monitor ⁸ – Pick-Up only					Auto only	Auto only	•	•
	8x SRS airbags	•	•	•	•	•	•	•	•
SECURITY	Engine immobiliser	•	•	•	•	•	•	•	•
	Alarm	•	•	•	•	•	•	•	•
	Siren and intrusion detection			•	•	•	•	•	•
	Horn	One piece	One piece	Two piece	Two piece	Two piece	Two piece	Two piece	Two piece
	Cabin detection alert system		•		•	•	•	•	•
	Power door locks	•	•	•	•	•	•	•	•
	Remote keyless entry	•	•	•	•	•	•	•	•

1 Weights/mass/volumes/dimensions are approximate and subject to individual vehicle variances, and should be confirmed before fitting any accessories, towing or otherwise relying on this value.

2 Results were achieved under laboratory conditions and do not reflect the fuel consumption in real world driving. Refer to page 4 and 9 for ADR81/02 fuel consumption testing results achieved for all HiLux 4x2 and 4x4 variants. Results were produced using new sample vehicles without fitment of accessories/customisation, and may not be replicable.

3 Maximum vehicle braked towing capacity is subject to state and federal regulatory requirements. Before towing, customers should consider the vehicle's limitations, including towing capacity specifications, gross vehicle mass (GVM), gross combined mass (GCM), kerb weight specified by the manufacturer, and ensure that individual front and rear axle load limits are not exceeded as also specified by the manufacturer. Vehicle payload calculation is GVM less kerb weight or as otherwise specified in the vehicle owner's manual. Actual payload is affected by any added load to the vehicle, including the number of occupants, luggage, accessories, and tow ball download weight. It is important to consider the actual payload, to ensure the fully loaded vehicle remains within the specified GVM limits. For more details, please refer to the vehicle's Owner's Manual/**Toyota Basic Towing Guide** or consult your authorised dealer.

4 Functionality varies depending on device. See toyota.com.au/services/connected for compatibility. Speak to your dealer about device compatibility. Requires compatible device, USB connection or Bluetooth® connection for vehicles fitted with wireless CarPlay®/Android Auto™ mobile data, network reception and GPS signal. Mobile usage at user's cost. Apps subject to change. For details see toyota.com.au/services/connected

5 CarPlay® is a trademark of Apple, Inc. registered in the U.S. and other countries.

6 Android Auto™ is a trademark of Google LLC.

7 Uses third party information which may not be accurate or cover all areas.

8 Driver assist feature. Only operates under certain conditions. Check your Owner's Manual for explanation of limitations. Please drive safely.

9 Bluetooth® is a registered trademark of Bluetooth SIG, Inc.

10 Product and company names are trademarks of their respective owners. Only Qi-supported devices compatible. Refer to device manufacturer. May require additional purchase of accessory to support wireless charging.

11 See toyota.com.au/services/connected/terms-conditions for T&Cs.

12 Complimentary periods and available features vary depending on vehicle model, production date and subscription choice, and are subject to change. Complimentary periods commence upon delivery date. Fees may apply thereafter. See toyota.com.au/services/connected. Not available outside Australia, if services disabled or terminated or after Telstra 4G sunset. Dependent on enabled DCM, GPS signal strength, mobile network coverage, mobile app data (at user's cost), enabled push notifications and other factors outside Toyota's control which can limit ability or functionality of system. Check your Owner's Manual or toyota.com.au/services/connected for explanation of limitations. Please drive safely.

13 The myToyota Connect App supports vehicles with a Build date from 2009 onwards, with or without Toyota Connected Services. Requires compatible device and app installation, mobile data (at user's cost), Australian network reception, GPS signal, enabled push notifications and other factors outside Toyota's control which can limit functionality. Features vary by model and may change. See toyota.com.au/services/connected for more information.

14 See your Toyota Dealer to confirm Toyota Genuine Accessories suitable for your vehicle prior to ordering, as specifications, applicability, availability and fitment requirements may change over time. Before towing, customers should consider the vehicle's limitations, including towing capacity specifications, gross vehicle mass (GVM), gross combined mass (GCM), kerb weight specified by the manufacturer, and ensure that individual front and rear axle load limits are not exceeded as also specified by the manufacturer.

15 Product and company names are trademarks of their respective owners.

IMPORTANT NOTICE – PLEASE READ: Toyota Australia uses its best endeavours to ensure material is accurate at the time of publishing. All information must be confirmed with your Toyota Dealer at the time of ordering, as specifications, applicability and availability may change over time. Colours depicted are a guide only and may vary from actual colours due to the printing/display process. Toyota Australia reserves the right to change and/or discontinue, without notice, models, prices, colours, materials, equipment, specifications. To the extent permitted by law, Toyota Australia will not

be liable for any damage or loss incurred from relying on the information and images contained in this material. Distributed nationally (other than in Western Australia) by Toyota Motor Corporation Australia Limited ABN 64 009 686 097. Material distributed in Western Australia by or on behalf of Prestige Motors Pty Ltd (for vehicles) and by Eastpoint Pty Ltd (for parts/accessories). Toyota Australia makes no warranties regarding (and will not be liable for) accuracy of materials distributed in Western Australia. PROOF HQ: T2026-023339. GTO-010060-00. VERSION: JUNE 2026.