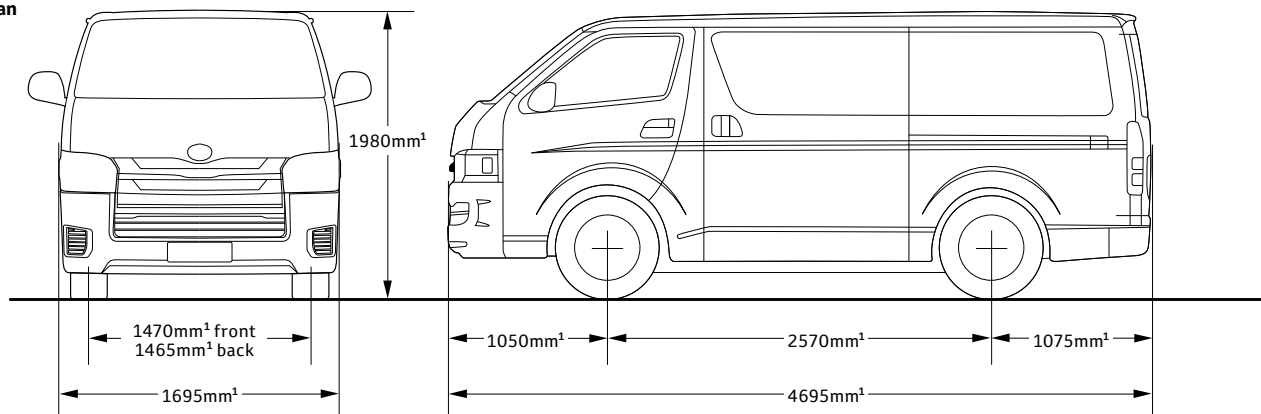
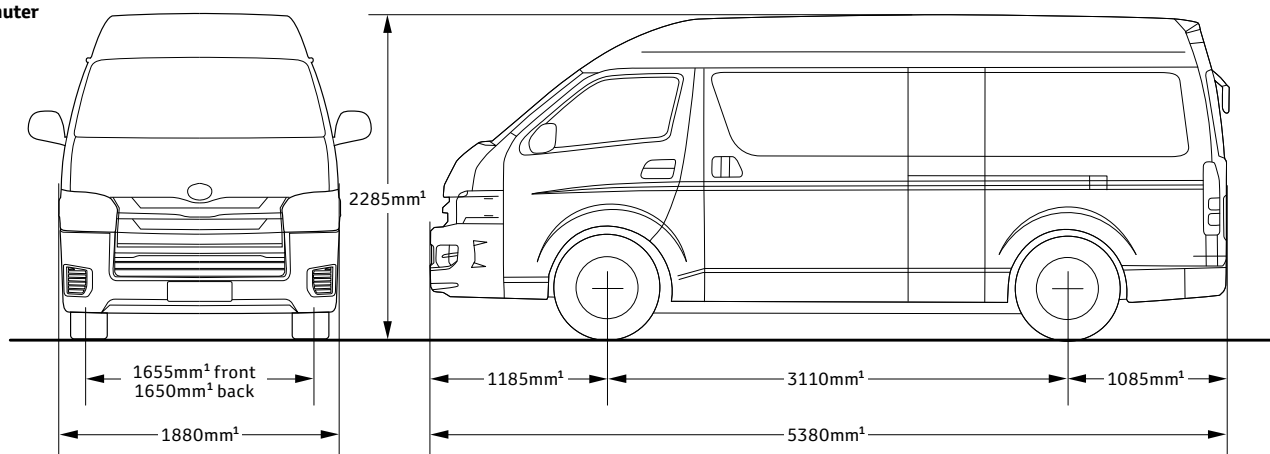


HiAce

LWB, Crew Van



SWLB, Commuter



HiAce		Turbo diesel	Petrol
Engine	Engine code	1KD-FTV	2TR-FE
	Engine description	4-cylinder turbo diesel	4-cylinder petrol
	Displacement (cm ³)	2982	2694
	Maximum power ² (kW/rpm)	100 / 3400	118 / 4800
	Torque ² (Nm/rpm)	300/1200-2400	243 / 3800
	Bore x Stroke (mm)	96.0 x 103.0	95.0 x 95.0
	Compression ratio (:1)	15.0	10.2
	Diesel Particulate Filter (DPF)	Yes	
Fuel consumption³ (L/100km)	LWB ³ (manual / auto)	8.1 / 8.7	10.1 / 9.8
	LWB Crew Van ³ (manual / auto)	8.7 / 9.2	- / -
	SLWB ³ (manual / auto)	8.7 / 9.2	10.8 / 10.5
	Commuter ³ (manual / auto)	8.9 / 9.5	- / 10.9
Steering	Steering gear type	Rack and pinion	
	Steering gear ratio	20.84	
	Steering operation	Hydraulic power steering	
	Turning circle meters (LWB / SLWB & Commuter)	11.4 / 13.8	
Brakes	Brake type – front	Ventilated disc	
	Brake type – rear	Leading-trailing drums	
Suspension	Front	Double wishbone	
	Rear	Leaf spring	

HiAce		LWB Van	LWB Crew Van	SLWB Van	Commuter 12 / 14 seater
		Turbo Diesel		Petrol	
Weight (approximate)	Kerb weight ¹ (kg) petrol (manual / auto)	1720 / 1735	- / -	- / 1905	12: - / 2075 14: - / 2095
	Kerb weight ¹ (kg) diesel (manual / auto)	1835 / 1845	1915 / 1925	2015 / 2025	2205 manual / 2215 auto
	Gross vehicle weight ¹ (kg) (petrol / diesel)	2800 / 2800	2800 / 2800	3200 / 3200	3150 / 3250
Capacities	Fuel capacity (litres)	70	70	70	70
	Seating capacity	2	5	2	12 / 14
	Towing capacity ⁴ (braked / unbraked)	1400 / 400	1400 / 400	1400 / 400	1400 / 400
Transmission	5-speed Manual	Petrol / Diesel	- / Diesel	- / Diesel	- / Diesel
	4-speed Automatic	Petrol / Diesel	- / Diesel	Petrol / Diesel	Petrol / Diesel
Exterior	Dual halogen headlights	•	•	•	•
	Light remind warning	•	•	•	•
	Passenger side sliding door	•			•
	Dual side sliding doors		•	•	
	Electric sliding door				Optional
	Window/glass sliding door(s)	•	•	•	•
	Panel sliding door	Optional (TD A/T only)			
	15" steel wheels	•	•	•	•
	Full size spare wheel	•	•	•	•
	Front and rear mud flaps	•	•	•	•
Interior	Driver and passenger bucket seat	•	•	•	•
	3 seater rear bench seat		•		
	12 rear seats				•
	10 rear seats				Optional
	6.1" colour touchscreen audio with AM/FM radio and MP3 ⁵ compatible single disc CD player	•	•	•	•
	Satellite navigation ⁶	•	•	•	•
	Bluetooth, ⁷ USB and AUX input ⁵	•	•	•	•
	Automatic dimming mirror	•	•	•	•
Features	Air con (Front)	•	•	•	•
	Air con (Rear)				•
	6 deck hooks	•	•	•	
	Vinyl flooring				•
	Steering wheel audio control	•	•	•	•
	Multi Information Display (MID)	•	•	•	•
	2 cup holders	•	•	•	•
	Glove box	•	•	•	•
	Standalone centre console box	•	•	•	•
Safety	Driver and passenger airbags	•	•	•	•
	3 point ELR seat beats	•	•	•	•
	Reversing camera	•	•	•	•
	Anti-lock Braking system (ABS), Vehicle Stability Control (VSC), Traction Control (TRC)	•	•	•	•

1 All vehicle weights/mass and dimensions are approximate and subject to individual vehicle variances. Vehicles should be individually weighed and measured before fitting any accessories, towing or designing any compatible trailer/caravan or otherwise using the vehicle in any way that depends on this value.

2 Power and torque test standards differ. Ensure comparisons use same test standard.

3 Achieved in test conditions. Actual fuel consumption may vary depending on driving conditions/style, vehicle condition and options/accessories fitted. Fuel consumption data provided for comparison purposes only. Source: ADR81/02 combined/urban/extra urban (L/100km) for manual/auto models.

IMPORTANT NOTICE – PLEASE READ: Toyota Australia uses its best endeavours to ensure material is correct when published. Check with your authorised Toyota Dealer when ordering to ensure the vehicle with your chosen specifications, equipment and colour is available and can be delivered within the timeframe suitable to you. Certain accessories when fitted will require the removal of standard equipment, which may be retained by Toyota Australia or your Toyota Dealer. Toyota Australia reserves the right to change, without notice, prices, colours, materials, equipment, and specifications and discontinue colours/models. To the extent

4 Towing capacity is subject to regulatory requirements, tow bar and vehicle design and towing equipment limitations. Ask your Dealer for Toyota Genuine tow bar capacity and availability details.

5 Not all devices will be compatible. Functionality varies depending on device.

6 Current navigation mapping database encompasses major capital and primary national road networks and offers some coverage in regional areas.

7 The Bluetooth[®] word mark is owned by Bluetooth SIG, Inc. Not all devices will be compatible and functionality varies depending on the device. Bluetooth video streaming not available.

permitted by law, Toyota Australia will not be liable for any damage, loss or expense incurred as a result of reliance on this material in any way. Distributed nationally (other than in Western Australia) by Toyota Motor Corporation Australia Limited ABN 64 009 686 097, 155 Bertie St, Port Melbourne 3207. Material distributed in Western Australia by or on behalf of Prestige Motors Pty Ltd (for vehicles) and by Eastpoint Pty Ltd (for parts/accessories). Toyota Australia makes no warranties regarding (and will not be liable for) accuracy of materials distributed in Western Australia. PROOF HQ: T2018-010165. GT01950. JUNE 2018.