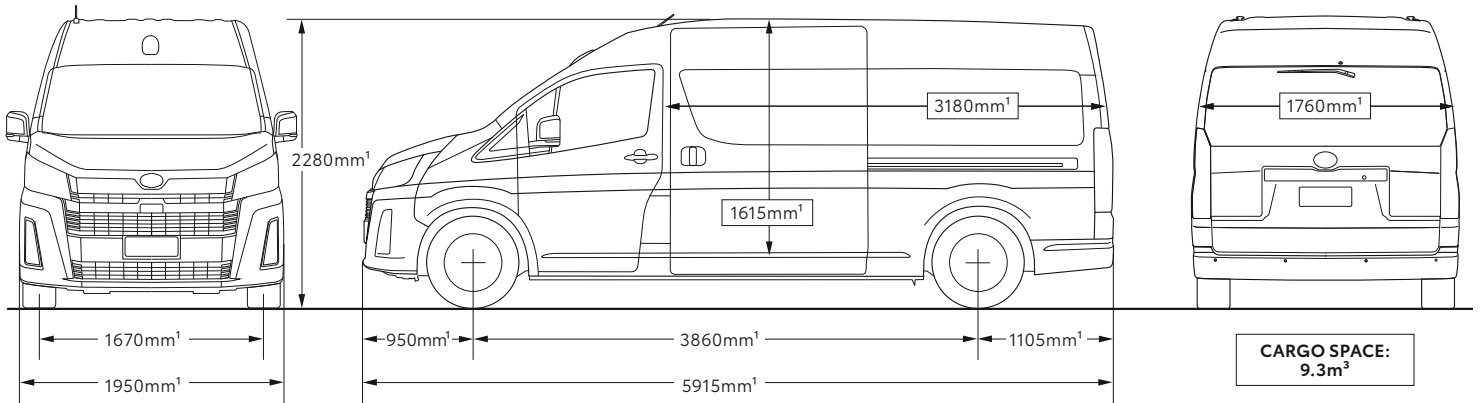
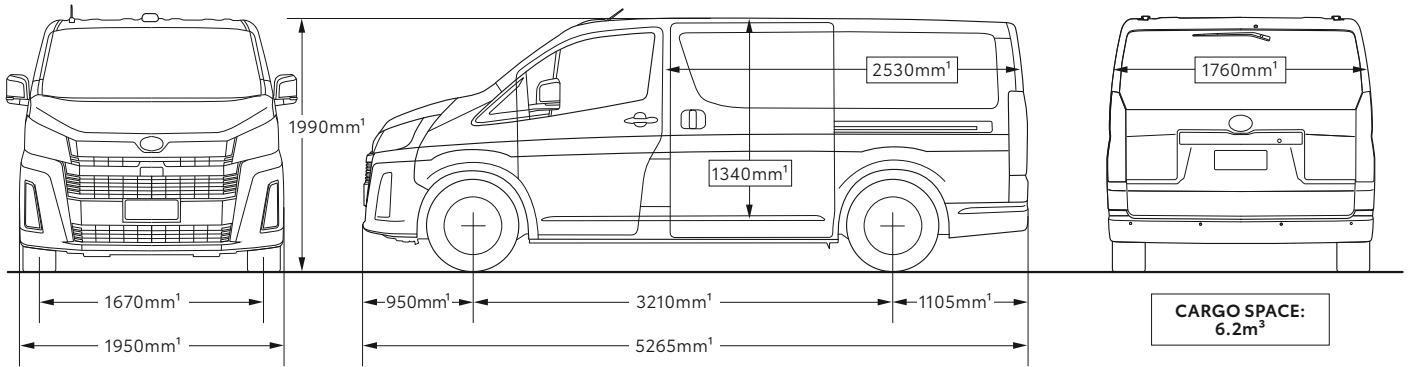


HiAce



Please Note: information is accurate as at May 2022.

Specification and imagery are indicative and should only be used as a guide. Vehicle and accessory specification, features, colour and trim may differ at the time of vehicle delivery.



HIACE MODEL		LWB Van turbo diesel manual	LWB Van turbo diesel automatic	LWB Crew Van turbo diesel automatic	SLWB Van turbo diesel automatic	Commuter turbo diesel automatic	Commuter GL turbo diesel automatic
ENGINE	Engine code	1GD-FTV	1GD-FTV	1GD-FTV	1GD-FTV	1GD-FTV	1GD-FTV
	Engine description	4 cylinders	4 cylinders	4 cylinders	4 cylinders	4 cylinders	4 cylinders
	Displacement (cm ³)	2755	2755	2755	2755	2755	2755
	Maximum power (kW/rpm)	130/3400	130/3400	130/3400	130/3400	120/3600	120/3600
	Torque (Nm/rpm)	420/1400-2600	450/1600-2400	450/1600-2400	450/1600-2400	420/1600-2200	420/1600-2200
	Bore x stroke (mm)	92.0 x 103.60	92.0 x 103.60	92.0 x 103.60	92.0 x 103.60	92.0 x 103.60	92.0 x 103.60
	Compression ratio (:1)	15.6	15.6	15.6	15.6	15.6	15.6
	Diesel Particulate Filter (forced burn off) switch	•	•	•	•	•	•
FUEL	Fuel consumption ² (combined L/100km)	7.5L	8.2L	8.4L	8.4L		
STEERING	Steering gear type	Rack and pinion					
	Steering gear ratio	15.6					
BRAKES	Front	Ventilated disc brake with floating caliper 2-cylinder					
	Rear	Leading-trailing drum brake	Ventilated disc brake with floating caliper 1-cylinder				
	Parking brake	Hand lever type					
SUSPENSION	Suspension	Front: Macpherson Strut / Rear: Leaf spring rigid axle					
WEIGHTS AND CAPACITIES	Gross Vehicle Mass ¹ (GVM) (kg)	3300	3300	3300	3500	3710	3720
	Gross Combined Mass ¹ (GCM) (kg)	5200	4800	4800	5000	5210	5220
	Maximum kerb weight ¹ (kg)	2240	2225	2350	2365	2630	2680
	Towing capacity ³ (braked kg/unbraked kg)	1900/400	1500/400				
	Fuel capacity (L)	70					

HIACE MODEL		LWB Van turbo diesel manual	LWB Van turbo diesel automatic	LWB Crew Van turbo diesel automatic	SLWB Van turbo diesel automatic	Commuter turbo diesel automatic	Commuter GL turbo diesel automatic
EXTERIOR	Semi-bonnet design	•	•	•	•	•	•
	Dual sliding doors	•	•	•	•		
	Left side sliding door with glass panel	•	•	•	•	•	•
	Left side sliding door with steel panel		Optional				
	4-door option left sliding door		•				
	Right side sliding door with glass			•			
	Halogen headlamps and DRLs	•	•	•	•	•	•
	LED DRLs						•
	Painted door handles (body colour)		Optional	•	Optional		•
	Painted front and rear bumper (body colour)		Optional	•	Optional		•
	Openable rear windows			•			
	Automatic sliding door						•
	Glass roof escape hatch					•	•
WHEELS	Design and size	16" steel	16" steel	16" steel	16" steel	16" steel	16" alloy
	Full size spare	•	•	•	•	•	•
INTERIOR	Fabric seats	•	•	•	•	•	
	Synthetic/fabric seats						•
	Number of seats	2	2	5	2	12	12
	All weather floor mats - front	•	•	•	•	•	•
	Centre console box	•	•	•	•	•	•
	Leather accented steering wheel	•	•	•	•	•	•
	Front and rear interior lamps	•	•	•	•	•	•
INSTRUMENTS AND CONTROLS	8" colour touchscreen with AM/FM radio	•	•	•	•	•	•
	Bluetooth®4,5 and USB ⁵ - front x1	•	•	•	•	•	•
	Rear USB ⁵ charging port						•
	Apple CarPlay®6,7 and Android Auto™4,5,8	•	•	•	•	•	•
	Cruise control	•	•	•	•	•	•
	4.2" colour Multi Information Display (MID)	•	•	•	•	•	•
	Steering wheel switches	•	•	•	•	•	•
	Digital rear view mirror with auto dimming		Optional	•	Optional		•
TOYOTA CONNECTED SERVICES ⁹	Toyota Connected Services ⁹	3 years complimentary access ⁹					
	Stolen Vehicle Tracking ¹⁰	•	•	•	•	•	•
	Automatic Collision Notification ¹¹	•	•	•	•	•	•
	SOS Emergency Call ¹²	•	•	•	•	•	•
SAFETY	Number of SRS airbags	7	7	9	7	3	3
	Pre-Collision Safety (PCS) system with pedestrian detection and daytime cyclist detection	•	•	•	•	•	•
	Lane Departure Alert (LDA) and Brake Assist (BA)	•	•	•	•	•	•
	Automatic High Beam (AHB)	•	•	•	•	•	•
	Road Sign Assist (speed signs only) (RSA)	•	•	•	•	•	•
	Reversing camera	•	•	•	•	•	•
	Front and rear parking sensors	•	•	•	•	•	•
	Blind Spot Monitor (BSM) and Rear Cross Traffic Alert (RCTA)	•	•	•	•	•	•
	Front passenger occupant detection	•	•	•	•	•	•
Rear passenger occupant detection			•				

1 Weights/mass/volumes/dimensions are approximate and subject to individual vehicle variances, and should be confirmed before fitting any accessories, towing or otherwise relying on this value.

2 Achieved in test conditions for comparison purposes only. Actual fuel consumption varies depending on driving conditions/style, vehicle condition, load and options/accessories fitted.

3 Towing capacity subject to regulatory requirements, tow bar and vehicle design and towing equipment limitations. Ask your Dealer for Toyota Genuine tow bar capacity and availability details.

4 Bluetooth® is a registered trademark of Bluetooth SIG, Inc.

5 Compatibility and functionality varies depending on device.

6 Requires compatible device, USB connection, mobile data, network reception and GPS signal. Mobile usage at user's cost. Apps subject to change. For details see toyota.com.au/connected

7 CarPlay® is a trademark of Apple, Inc. registered in the U.S. and other countries.

8 Android Auto™ is a trademark of Google LLC.

9 Complimentary period ends 3 years from delivery date. Fees and charges may apply after expiry of complimentary period. Not available outside Australia or if services are disabled or terminated. Dependent on 3G/4G enabled DCM, GPS signal strength, mobile network coverage and other factors outside Toyota's control which can limit the ability or functionality of the system. Check your Owner's Manual for explanation of limitations. Please drive safely.

10 SVT - Not available outside Australia or if service is disabled or terminated. Dependent on sufficient battery power, 3G/4G enabled DCM, GPS signal strength, mobile network coverage, operational related components and other factors outside Toyota's control which can limit the ability or functionality of the system. Guest required to obtain Police report. Vehicle location information, if available, only provided to Police. Vehicle recovery not guaranteed. For details, visit toyota.com.au/connected/faq-support

11 ACN - Driver assist feature only. Not a substitute for safe driving practices. Not available outside Australia or if service is disabled or terminated. Only activates if vehicle's DCM detects airbag deployment or an impact sensor notification. Dependent on 3G/4G enabled DCM, GPS signal strength, mobile network coverage, operational related components and other factors outside Toyota's control which can limit the ability or functionality of the system. Check your Owner's Manual for explanation of limitations. Please drive safely.

12 SOS - Driver assist feature only. Not a substitute for safe driving practices. Not available outside Australia or if service is disabled or terminated. Only operates if vehicle's SOS button is pressed. Dependent on 3G/4G enabled DCM, GPS signal strength, mobile network coverage, operational related components and other factors outside Toyota's control which can limit the ability or functionality of the system. Check your Owner's Manual for explanation of limitations. Please drive safely.

IMPORTANT NOTICE – PLEASE READ: Toyota Australia uses its best endeavours to ensure material is accurate at the time of publishing. All information must be confirmed with your Toyota Dealer at the time of ordering, as specifications, applicability and availability may change over time. Colours depicted are a guide only and may vary from actual colours due to the printing/display process. Toyota Australia reserves the right to change and/or discontinue, without notice, models, prices, colours, materials, equipment, specifications. To the extent permitted by law, Toyota Australia will not be liable for any damage or loss incurred from relying on the information and images contained in this material. Distributed nationally (other than in Western Australia) by Toyota Motor Corporation Australia Limited ABN 64 009 686 097. Material distributed in Western Australia by or on behalf of Prestige Motors Pty Ltd (for vehicles) and by Eastpoint Pty Ltd (for parts/accessories). Toyota Australia makes no warranties regarding (and will not be liable for) accuracy of materials distributed in Western Australia. PROOF HQ: T2021-017162. GTO-006193. VERSION: MAY 2022.