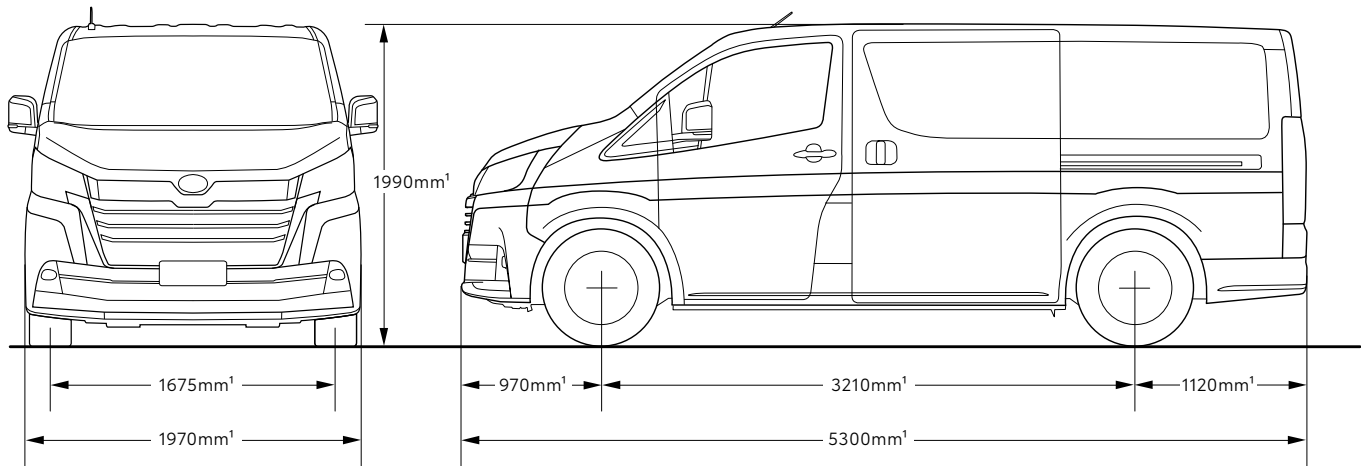


Granvia



GRANVIA MODEL		Granvia		Granvia VX	
		6-seater	8-seater	6-seater	8-seater
ENGINE	2.8L 4-cylinder diesel	•	•	•	•
	Displacement (cm ³)	2755	2755	2755	2755
	Max power (kW@rpm)	130 @ 3400	130 @ 3400	130 @ 3400	130 @ 3400
	Max torque (Nm@rpm)	450 @ 1600-2400	450 @ 1600-2400	450 @ 1600-2400	450 @ 1600-2400
	Bore x stroke (mm)	92 x 103.60	92 x 103.60	92 x 103.60	92 x 103.60
	Compression ratio	15.6	15.6	15.6	15.6
	Stop-Start function	•	•	•	•
FUEL	Fuel economy (L/100km) combined ²	8	8	8	8
	Fuel type	Diesel	Diesel	Diesel	Diesel
	Fuel system	Common Rail Type Direct Injection	Common Rail Type Direct Injection	Common Rail Type Direct Injection	Common Rail Type Direct Injection
	Recommended fuel cetane rating	48 or more (Cetane)	48 or more (Cetane)	48 or more (Cetane)	48 or more (Cetane)
	Diesel Particulate Filter (DPF) switch – forced burn-off	•	•	•	•
	Fuel tank capacity (L)	70L	70L	70L	70L
TRANSMISSION	6-speed automatic transmission with sequential shift	•	•	•	•
	Final drive ratio	3.727	3.727	3.727	3.727
BRAKES	Front and rear	Front: ventilated disc brake with floating caliper with 2-cylinder / Rear: ventilated disc brake with floating caliper 1-cylinder			
	Parking brake	Hand lever type	Hand lever type	Hand lever type	Hand lever type
STEERING	Steering type and system	Hydraulic / Rack & pinion	Hydraulic / Rack & pinion	Hydraulic / Rack & pinion	Hydraulic / Rack & pinion
	Turning circle – kerb to kerb (m)	11.0	11.0	11.0	11.0
SUSPENSION	Suspension	Front: Macpherson strut suspension / Rear: 4-link with coil spring			
WHEELS	Design and size	17" alloy	17" alloy	17" alloy	17" alloy
	Spare wheel – full size	•	•	•	•
WEIGHTS AND CAPACITIES	Towing capacity – with trailer brakes ³ (kg)	1500	1500	1500	1500
	Towing capacity – without trailer brakes ³ (kg)	400	400	400	400
	Kerb weight ¹ (kg)	2605	2660	2605	2660
	Gross Vehicle Mass ¹ (GVM) (kg)	3340	3500	3340	3500
	Seating capacity	6	8	6	8
EXTERIOR	Front LED headlamps	•	•	•	•
	Front LED fog and clearance lamps	•	•	•	•
	LED Daytime Running Lamps (DRLs)	•	•	•	•
	Auto-levelling headlamps	•	•	•	•
	LED rear combination lamps	•	•	•	•
	Manual rear dual sliding doors with easy close	•	•		
	Automatic rear dual sliding doors with easy close			•	•
	Heated side mirrors	•	•	•	•
	Electrically retractable and power adjustable side mirrors	•	•	•	•

GRANVIA MODEL		Granvia		Granvia VX	
		6-seater	8-seater	6-seater	8-seater
INTERIOR	Rear sun shades			•	•
	Leather accented steering wheel	•	•		
	Leather accented and woodgrain-look steering wheel			•	•
	Premium door trim with woodgrain-look accents			•	•
	Fabric seat trim	•	•		
	Quilted leather accented seat trim (driver, passenger, 2nd and 3rd row)			•	
	Quilted leather accented seat trim – driver, passenger, 2nd row, 3rd row and synthetic seat trim 4th row bench seat				•
	Heated seats – 2nd and 3rd row (available on 6-seater variant only)			•	
	Power windows	•	•	•	•
	Automatic front and rear air conditioning with climate control	•	•	•	•
	Tip-up seats - 4th row 60/40		•		•
	Headrest adjustment – angle adjustment			• (2nd and 3rd row)	• (2nd row)
	Headrest adjustment – up/down adjustment	•	•	•	•
	8-way power adjustable driver's seat			•	•
	4-way manually adjustable front passenger seat	•	•	•	•
	Ottoman Captain's Chairs – power adjustable (ottoman and recline)			• (2nd and 3rd row)	• (2nd row)
	Captain's Chairs – manual seat adjustment (3rd row)				•
Captain's Chairs – manual seat adjustment (2nd row and 3rd row)	•	•			
Manual seat slide (on rail)	•	•	•	•	
INSTRUMENTS AND CONTROLS	Smart entry	•	•	•	•
	Smart start system	•	•	•	•
	Remote key operation of power sliding doors (rear)			•	•
	Tilt and telescopic adjustable steering column (manual)	•	•	•	•
	4.2" Multi-Informational Display (MID)	•	•	•	•
Digital rear view mirror with auto-dimming			•	•	
STORAGE AND CONVENIENCE	Glovebox - front passenger side	•	•	•	•
	Coat hooks rear x 6	•	•	•	•
	Cup holders x 10	•	•	•	•
	Card holder – glovebox and centre console (rear)	•	•	•	•
	Centre console – rear small item storage	•	•	•	•
	Compartment with lid – seat			• (2nd and 3rd row)	• (2nd row)
	Storage tray on side trim – 3rd row seats (right hand side seat only)	•	•	•	•
Folding table x 1 – 2nd row	•	•	•	•	
MULTIMEDIA	8" colour touchscreen display	•	•	•	•
	Satellite navigation ⁴ with SUNA ^{TM.5.6} live traffic alerts	•	•	•	•
	Apple CarPlay ^{®7.9} and Android Auto ^{™8.9} (speak to your Dealer about device compatibility)	•	•	•	•
	USB ¹⁰ input – front	•	•	•	•
	6 additional USB ports ¹⁰ – 2 x rear of centre console, 4 x side panels of the 3rd row	•	•	•	•
	12V outlets – 2 x front	•	•	•	•
	6 speaker audio	•	•		
	12 speaker Pioneer ^{™.6} premium audio			•	•
	Bluetooth ^{®10.11} connectivity	•	•	•	•
	Steering wheel controls with telephone, audio, cruise control, voice activation, Lane Departure Alert and adjustable speed limiter	•	•	•	•

GRANVIA MODEL		Granvia		Granvia VX	
		6-seater	8-seater	6-seater	8-seater
SAFETY	Hill-start Assist Control (HAC)	•	•	•	•
	Blind Spot Monitor (BSM)	•	•	•	•
	Rear Cross Traffic Alert (RCTA)	•	•	•	•
	Front parking sensors	•	•	•	•
	Rear parking sensors	•	•	•	•
	Reversing camera with dynamic guidelines	•	•	•	•
	9 SRS airbags – driver's seat, passenger seat, driver's knee, front curtain shield x 2, rear curtain shield x 2, side airbag x 2	•	•	•	•
	Toyota Safety Sense – including Lane Departure Alert with steering assist, Pre-Collision Safety system with pedestrian and daytime cyclist detection, Road Sign Assist, Automatic High Beam and High Speed Active Cruise Control	•	•	•	•
	Panoramic View Monitor (PVM)			•	•
	Vehicle Stability Control (VSC) and Traction Control	•	•	•	•
	Emergency Brake Signal	•	•	•	•
	Trailer Sway Control	•	•	•	•
	Anti-lock Braking System with Electronic Brake-force Distribution and Brake Assist	•	•	•	•
	Passenger occupant detection	•	•	•	•
	ISOFIX lower anchorage point – 2nd row x 2 and 3rd row x 2	•	•	•	•
Child restraint anchorage top tether points – 2nd row x 2 and 3rd row x 2	•	•	•	•	

- Weights/mass/volumes/dimensions are approximate and subject to individual vehicle variances, and should be confirmed before fitting any accessories, towing or otherwise relying on this value.
- Achieved in test conditions for comparison purposes only. Actual fuel consumption varies depending on driving conditions/style, vehicle condition, load and options/accessories fitted.
- Towing capacity subject to regulatory requirements, tow bar and vehicle design and towing equipment limitations. Ask your Dealer for Toyota Genuine tow bar capacity and availability details.
- Coverage varies based on vehicle location.
- Service varies based on vehicle location. See sunattraffic.com.au

- Product & company names are trademarks of their respective owners.
- CarPlay® is a trademark of Apple, Inc. registered in the U.S. and other countries.
- Android Auto™ is a trademark of Google LLC.
- Requires compatible device, USB connection, mobile data, network reception and GPS signal. Mobile usage at user's cost. Apps subject to change. For details see toyota.com.au/connected
- Compatibility and functionality varies depending on device.
- Bluetooth® is a registered trademark of Bluetooth SIG, Inc.

IMPORTANT NOTICE – PLEASE READ:

Toyota Australia uses its best endeavours to ensure material is correct when published. Check with your authorised Toyota Dealer when ordering to ensure the vehicle with your chosen specifications, equipment and colour is available and can be delivered within the timeframe suitable to you. When ordering accessories, check with your authorised Toyota Dealer to ensure the accessory's design, features and colours are available and fit your vehicle. Ensure the mass of your load does not exceed the maximum allowable individual axle capacity, Gross Vehicle Mass and/or Gross Combined Mass of the vehicle. Refer to toyota.com.au for further details. Colours displayed are a guide only and may vary from actual colours due to printing/display processes. Certain accessories when fitted will require the removal of standard equipment, which may be retained by Toyota Australia or your Toyota Dealer. Toyota Australia reserves the right to change, without notice, prices, colours, materials, equipment, specifications and discontinue colours/models. To the extent permitted by law, Toyota Australia will not be liable for any damage, loss or expense incurred as a result of reliance on this material in any way. Distributed nationally (other than in Western Australia) by Toyota Motor Corporation Australia Limited ABN 64 009 686 097, 155 Bertie St, Port Melbourne 3207. Material distributed in Western Australia by or on behalf of Prestige Motors Pty Ltd (for vehicles) and by Eastpoint Pty Ltd (for parts/accessories). Toyota Australia makes no warranties regarding (and will not be liable for) accuracy of materials distributed in Western Australia. PROOF HQ: T2020-014846. GTO-003743. VERSION: NOVEMBER 2020.