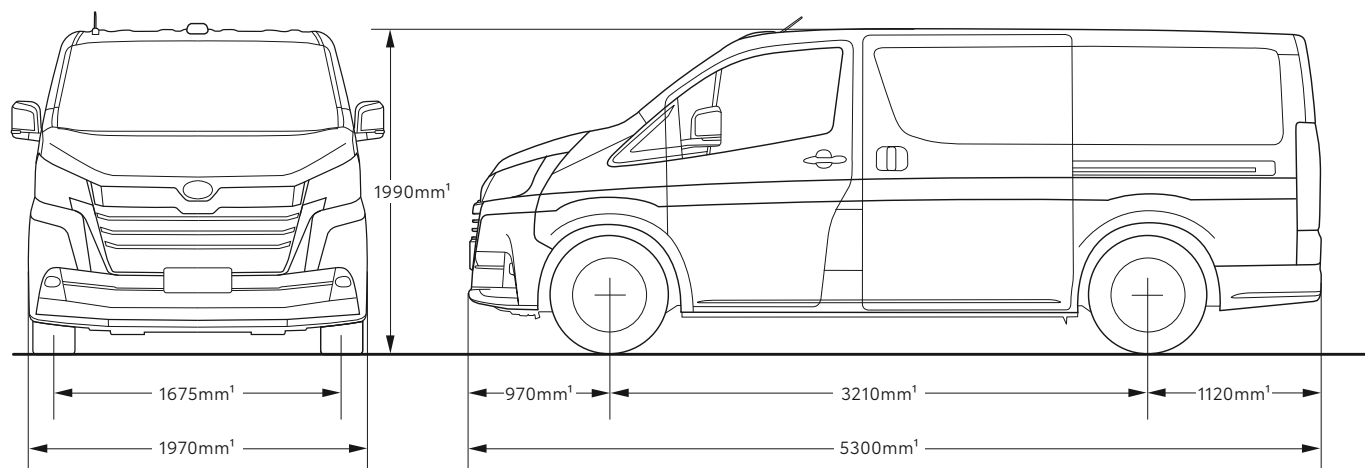


Granvia



Please Note: information is accurate as at September 2021.

Specification and imagery are indicative and should only be used as a guide. Vehicle and accessory specification, features, colour and trim may differ at the time of vehicle delivery.



GRANVIA MODEL		Granvia		Granvia VX	
		6-seater	8-seater	6-seater	8-seater
ENGINE	2.8L 4-cylinder diesel	•	•	•	•
	Displacement (cm ³)	2755	2755	2755	2755
	Max power (kW@rpm)	130 @ 3400	130 @ 3400	130 @ 3400	130 @ 3400
	Max torque (Nm@rpm)	450 @ 1600-2400	450 @ 1600-2400	450 @ 1600-2400	450 @ 1600-2400
	Bore x stroke (mm)	92 x 103.60	92 x 103.60	92 x 103.60	92 x 103.60
	Compression ratio	15.6	15.6	15.6	15.6
	Stop-Start function	•	•	•	•
FUEL	Fuel economy (L/100km) combined ²	8	8	8	8
	Fuel type	Diesel	Diesel	Diesel	Diesel
	Fuel system	Common Rail Type Direct Injection	Common Rail Type Direct Injection	Common Rail Type Direct Injection	Common Rail Type Direct Injection
	Recommended fuel cetane rating	48 or more (Cetane)	48 or more (Cetane)	48 or more (Cetane)	48 or more (Cetane)
	Diesel Particulate Filter (DPF) switch – forced burn-off	•	•	•	•
	Fuel tank capacity (L)	70	70	70	70
TRANSMISSION	6-speed automatic transmission with sequential shift	•	•	•	•
	Final drive ratio	3.727	3.727	3.727	3.727
BRAKES	Front and rear	Front: ventilated disc brake with floating caliper with 2-cylinder / Rear: ventilated disc brake with floating caliper 1-cylinder			
	Parking brake	Hand lever type	Hand lever type	Hand lever type	Hand lever type
STEERING	Steering type and system	Hydraulic / Rack & pinion	Hydraulic / Rack & pinion	Hydraulic / Rack & pinion	Hydraulic / Rack & pinion
	Turning circle – kerb to kerb (m)	11.0	11.0	11.0	11.0
SUSPENSION	Suspension	Front: Macpherson strut suspension / Rear: 4-link with coil spring			
WHEELS	Design and size	17" alloy	17" alloy	17" alloy	17" alloy
	Spare wheel – full size	•	•	•	•
WEIGHTS AND CAPACITIES	Towing capacity – with trailer brakes ³ (kg)	1500	1500	1500	1500
	Towing capacity – without trailer brakes ³ (kg)	400	400	400	400
	Maximum kerb weight ¹ (kg)	2715	2745	2715	2745
	Gross Vehicle Mass ¹ (GVM) (kg)	3340	3500	3340	3500
	Seating capacity	6	8	6	8
EXTERIOR	Front LED headlamps	•	•	•	•
	Front LED fog and clearance lamps	•	•	•	•
	LED Daytime Running Lamps (DRLs)	•	•	•	•
	Auto-levelling headlamps	•	•	•	•
	LED rear combination lamps	•	•	•	•
	Manual rear dual sliding doors with easy close	•	•		
	Automatic rear dual sliding doors with easy close			•	•
	Heated side mirrors	•	•	•	•
	Electrically retractable and power adjustable side mirrors	•	•	•	•

GRANVIA MODEL		Granvia		Granvia VX	
		6-seater	8-seater	6-seater	8-seater
INTERIOR	Rear sun shades			•	•
	Leather accented steering wheel	•	•		
	Leather accented and woodgrain-look steering wheel			•	•
	Premium door trim with woodgrain-look accents			•	•
	Fabric seat trim	•	•		
	Quilted leather accented seat trim – driver, passenger, 2nd and 3rd row			•	
	Quilted leather accented seat trim – driver, passenger, 2nd row, 3rd row and synthetic 4th row trim				•
	Heated seats – 2nd and 3rd row (available on 6-seater variant only)			•	
	Power windows	•	•	•	•
	Automatic front and rear air conditioning with climate control	•	•	•	•
	Tip-up seats – 4th row 60/40		•		•
	Headrest adjustment – angle adjustment			• (2nd and 3rd row)	• (2nd row)
	Headrest adjustment – up/down adjustment	•	•	•	•
	8-way power adjustable driver's seat			•	•
	4-way manually adjustable front passenger seat	•	•	•	•
	Ottoman Captain's Chairs – power adjustable (ottoman and recline)			• (2nd and 3rd row)	• (2nd row)
	Captain's Chairs – manual seat adjustment (3rd row)				•
	Captain's Chairs – manual seat adjustment (2nd row and 3rd row)	•	•		
	Manual seat slide (on rail)	•	•	•	•
	Privacy glass – rear side, quarter, back windows	•	•	•	•
Carpet floor mats – front	•	•	•	•	
INSTRUMENTS AND CONTROLS	Smart entry	•	•	•	•
	Smart start system	•	•	•	•
	Remote key operation of power sliding doors (rear)			•	•
	Tilt and telescopic adjustable steering column (manual)	•	•	•	•
	4.2" Multi-Informational Display (MID)	•	•	•	•
	Digital rear view mirror with auto-dimming			•	•
STORAGE AND CONVENIENCE	Glovebox - front passenger side	•	•	•	•
	Coat hooks rear x 6	•	•	•	•
	Cup holders x 11	•	•		
	Cup holders x 15			•	
	Cup holders x 13				•
	Card holder – glovebox and centre console (rear)	•	•	•	•
	Centre console – rear small item storage	•	•	•	•
	Compartment with lid – seat			• (2nd and 3rd row)	• (2nd row)
	Storage tray on side trim – 3rd row seats (right hand side seat only)	•	•	•	•
	Folding table x 1 – 2nd row	•	•	•	•
MULTIMEDIA	8" colour touchscreen display	•	•	•	•
	Satellite navigation with SUNA™ ^{5,6} live traffic alerts	•	•	•	•
	Apple CarPlay® ^{7,9} and Android Auto™ ^{8,9}	•	•	•	•
	USB® ¹⁰ port – front	•	•	•	•
	6 additional USB ports ¹⁰ – 2 x rear of centre console, 4 x side panels of the 3rd row	•	•	•	•
	12V outlets – 2 x front	•	•	•	•
	6-speaker audio	•	•		
	12-speaker Pioneer™ ⁶ premium audio			•	•
	Bluetooth® ¹⁰ connectivity	•	•	•	•
	Steering wheel controls with telephone, audio, cruise control, voice activation, Lane Departure Alert and Adjustable Speed Limiter	•	•	•	•

GRANVIA MODEL		Granvia		Granvia VX	
		6-seater	8-seater	6-seater	8-seater
TOYOTA CONNECTED SERVICES ¹¹	Toyota Connected Services ¹¹	3 years complimentary access ¹¹			
	Stolen Vehicle Tracking ¹²	•	•	•	•
	Automatic Collision Notification ¹³	•	•	•	•
	SOS Emergency Call ¹⁴	•	•	•	•
SAFETY	Hill-start Assist Control (HAC)	•	•	•	•
	Blind Spot Monitor (BSM)	•	•	•	•
	Rear Cross Traffic Alert (RCTA)	•	•	•	•
	Front parking sensors	•	•	•	•
	Rear parking sensors	•	•	•	•
	Reversing camera with dynamic guidelines	•	•	•	•
	9 SRS airbags – driver’s seat, passenger seat, driver’s knee, front curtain shield x 2, rear curtain shield x 2, side airbag x 2	•	•	•	•
	Toyota Safety Sense – including Lane Departure Alert with steering assist, Pre-Collision Safety system with pedestrian and daytime cyclist detection, Road Sign Assist (speed signs only), Automatic High Beam and High Speed Active Cruise Control	•	•	•	•
	Panoramic View Monitor (PVM)			•	•
	Vehicle Stability Control (VSC) and Traction Control	•	•	•	•
	Emergency Brake Signal	•	•	•	•
	Trailer Sway Control	•	•	•	•
	Anti-lock Braking System with Electronic Brake-force Distribution and Brake Assist	•	•	•	•
	Passenger occupant detection	•	•	•	•
ISOFIX lower anchorage point – 2nd row x 2 and 3rd row x 2	•	•	•	•	
Child restraint anchorage top tether points – 2nd row x 2 and 3rd row x 2	•	•	•	•	

- Weights/mass/volumes/dimensions are approximate and subject to individual vehicle variances, and should be confirmed before fitting any accessories, towing or otherwise relying on this value.
- Achieved in test conditions for comparison purposes only. Actual fuel consumption varies depending on driving conditions/style, vehicle condition, load and options/accessories fitted.
- Towing capacity subject to regulatory requirements, tow bar and vehicle design and towing equipment limitations. Ask your Dealer for Toyota Genuine tow bar capacity and availability details.
- Coverage varies based on vehicle location.
- Service varies based on vehicle location. See sunattraffic.com.au
- Product and company names are trademarks of their respective owners.
- CarPlay® is a trademark of Apple, Inc. registered in the U.S. and other countries.
- Android Auto™ is a trademark of Google LLC.
- Compatibility and functionality varies depending on device.
- Bluetooth® is a registered trademark of Bluetooth SIG, Inc.
- Complimentary period ends 3 years from delivery date. Fees and charges may apply after expiry of complimentary period. Not available outside Australia or if services are disabled or terminated. Dependent on 3G/4G enabled DCM, GPS signal strength, mobile network coverage and other factors outside Toyota's control which can limit the ability or functionality of the system. Check your Owner's Manual for explanation of limitations. Please drive safely.

- SVT - Not available outside Australia or if service is disabled or terminated. Dependent on sufficient battery power, 3G/4G enabled DCM, GPS signal strength, mobile network coverage, operational related components and other factors outside Toyota's control which can limit the ability or functionality of the system. Guest required to obtain Police report. Vehicle location information, if available, only provided to Police. Vehicle recovery not guaranteed. For details, visit toyota.com.au/connected/faq-support
- ACN - Driver assist feature only. Not a substitute for safe driving practices. Not available outside Australia or if service is disabled or terminated. Only activates if vehicle's DCM detects airbag deployment or an impact sensor notification. Dependent on 3G/4G enabled DCM, GPS signal strength, mobile network coverage, operational related components and other factors outside Toyota's control which can limit the ability or functionality of the system. Check your Owner's Manual for explanation of limitations. Please drive safely.
- SOS - Driver assist feature only. Not a substitute for safe driving practices. Not available outside Australia or if service is disabled or terminated. Only operates if vehicle's SOS button is pressed. Dependent on 3G/4G enabled DCM, GPS signal strength, mobile network coverage, operational related components and other factors outside Toyota's control which can limit the ability or functionality of the system. Check your Owner's Manual for explanation of limitations. Please drive safely.

IMPORTANT NOTICE – PLEASE READ:

Toyota Australia uses its best endeavours to ensure material is correct when published. Check with your authorised Toyota Dealer when ordering to ensure the vehicle with your chosen specifications, equipment and colour is available and can be delivered within the timeframe suitable to you. When ordering accessories, check with your authorised Toyota Dealer to ensure the accessory's design, features and colours are available and fit your vehicle. Ensure the mass of your load does not exceed the maximum allowable individual axle capacity, Gross Vehicle Mass and/or Gross Combined Mass of the vehicle. Refer to toyota.com.au for further details. Colours displayed are a guide only and may vary from actual colours due to printing/display processes. Certain accessories when fitted will require the removal of standard equipment, which may be retained by Toyota Australia or your Toyota Dealer. Toyota Australia reserves the right to change, without notice, prices, colours, materials, equipment, specifications and discontinue colours/models. To the extent permitted by law, Toyota Australia will not be liable for any damage, loss or expense incurred as a result of reliance on this material in any way. Distributed nationally (other than in Western Australia) by Toyota Motor Corporation Australia Limited ABN 64 009 686 097, 155 Bertie St, Port Melbourne 3207. Material distributed in Western Australia by or on behalf of Prestige Motors Pty Ltd (for vehicles) and by Eastpoint Pty Ltd (for parts/accessories). Toyota Australia makes no warranties regarding (and will not be liable for) accuracy of materials distributed in Western Australia. PROOF HQ: T2021-017174. GTO-004691. VERSION: SEPTEMBER 2021.