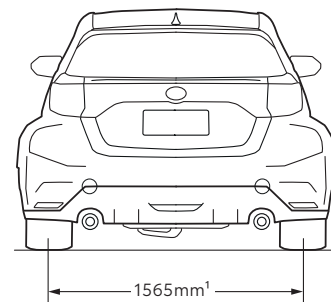
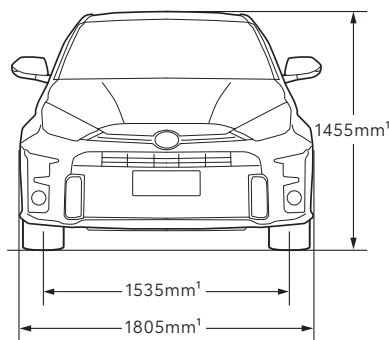
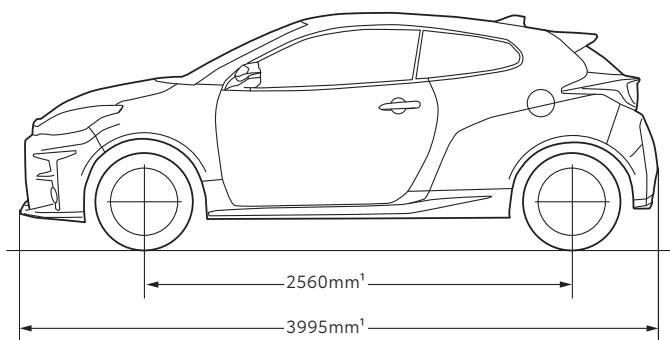


GR Yaris



MECHANICAL SPECIFICATIONS		GR
ENGINE	Engine code	G16E-GTS
	Description	1.6L 3-cylinder turbo charged AWD
	Max power (kW)	200kW
	Max torque (Nm) ²	370Nm
	CO ₂ emissions ³ (combined g/km)	172
FUEL	Fuel economy ⁴ (combined)	7.6L/100km
	Recommended fuel octane rating	98
DRIVE TRAIN	Transmission	Manual
	1st gear transmission ratio	3.538
	2nd gear transmission ratio	2.238
	3rd gear transmission ratio	1.535
	4th gear transmission ratio	1.162
	5th gear transmission ratio	1.081
	6th gear transmission ratio	0.902
	Final Drive Gear Ratio	3.941 (1st-4th) / 3.350 (5th-6th, Rev)
BRAKES	Front	Ventilated disc brake with fixed caliper 4-cylinder
	Rear	Ventilated disc brake with fixed caliper 2-cylinder
	Brake control system	Anti-lock Braking System (ABS) with Vehicle Stability Control (VSC) and Brake Assist (BA)
SUSPENSION	Front suspension	MacPherson strut
	Rear suspension	Trailing double wishbone
WEIGHTS AND CAPACITIES (APPROXIMATE)	Vehicle kerb weight ¹ (kg)	1280min – 1320max
	Gross vehicle weight ¹ (kg)	1645
	Seating capacity	4
	Cargo capacity ¹ (VDA) (Max)	141
	Fuel tank capacity ¹ (L)	50
WHEELS	Design and size	225/40ZR18 – DUNLOP SP SPORT MAXX 050
	Spare wheel	Repair kit
EXTERIOR	LED Daytime Running Lamps	•
	LED front and rear fog lamps	•
	LED headlamps with auto high beam	•
	Auto-electronically retractable door mirrors	•

MECHANICAL SPECIFICATIONS		GR
INSTRUMENTS AND CONTROLS	4.2" colour Multi Information Display	•
	Dual LCD digital meter	•
	Head-Up Display	•
	Drive mode select	•
	Smart entry and start system	•
	Automatic climate control air conditioning	•
	USB ⁵ charging point	•
STORAGE AND CONVENIENCE	Centre console cup holders x 2	•
	Illuminated entry	•
	Driver and front passenger sunvisors with mirror	•
	Driver and passenger door pocket bottle holder	•
MULTIMEDIA	7" colour touchscreen display	•
	Satellite navigation with SUNA™ ⁶ traffic channel	•
	USB ⁵ input	•
	Digital radio ⁷ (DAB+)	•
	Bluetooth® ⁸ connectivity	•
	Voice recognition, Mobile Assistant, Siri® ⁹ Eyes Free, Miracast® ¹⁰ and myToyota	•
	Apple CarPlay® ⁹ and Android Auto™ ¹¹ (speak to your Dealer about device compatibility)	•
	JBL® ¹⁰ 8-speaker audio	•
	Steering wheel controls for Multi Information Display (MID), telephone and audio	•
SAFETY	Lane Trace Assist	•
	Pre-Collision Safety system with pedestrian (day and night) and cyclist (day) detection	•
	Intersection Turn Assistance	•
	Road Sign Assist (speed signs only)	•
	Automatic High Beam	•
	High-speed Active Cruise Control	•
	Blind Spot Monitor	•
	Reversing camera with fixed guidelines	•
	Anti-lock Braking System with Electronic Brake-force Distribution and Brake Assist	•
	Vehicle Stability Control and Traction Control	•
	Hill-start Assist Control	•
	SRS airbags	•
	Seatbelt warning	•
	ISOFIX child restraint anchorage points (rear seats)	•
	Engine immobiliser	•

1 Weights/mass/volumes/dimensions are approximate and subject to individual vehicle variances, and should be confirmed before fitting any accessories, towing or otherwise relying on this value.

2 Power and torque test standards differ. Ensure comparisons use same test standard.

3 Emissions vary depending upon driving conditions/style, vehicle condition and options/accessories fitted.

4 Achieved in test conditions for comparison purposes only. Actual fuel consumption varies depending on driving conditions/style, vehicle condition, load and options/accessories fitted.

5 Compatibility and functionality varies depending on device.

6 Service varies based on vehicle location. See sunattraffic.com.au

7 Coverage dependent on vehicle location.

8 Bluetooth® is a registered trademark of Bluetooth SIG, Inc.

9 CarPlay® and Siri® are trademarks of Apple, Inc. registered in the U.S. and other countries. Requires compatible device, USB connection, mobile data, network reception and GPS signal. Mobile usage at user's cost. Apps subject to change. For details see toyota.com.au/connected

10 Save for Toyota trademarks depicted, all other product and company names are trademarks of their respective owners.

11 Android Auto™ is a trademark of Google LLC.

12 Driver assist feature. Only operates under certain conditions. Check your Owner's Manual for explanation of limitations. Please drive safely.

IMPORTANT NOTICE - PLEASE READ:

Toyota Australia uses its best endeavours to ensure material is accurate at the time of publishing. All information must be confirmed with your Toyota Dealer at the time of ordering, as specifications, applicability and availability may change over time. Colours depicted are a guide only and may vary from actual colours due to the printing/display process. Toyota Australia reserves the right to change and/or discontinue, without notice, models, prices, colours, materials, equipment, specifications. To the extent permitted by law, Toyota Australia will not be liable for any damage or loss incurred

from relying on the information and images contained in this material. Distributed nationally (other than in Western Australia) by Toyota Motor Corporation Australia Limited ABN 64 009 686 097. Material distributed in Western Australia by or on behalf of Prestige Motors Pty Ltd (for vehicles) and by Eastpoint Pty Ltd (for parts/accessories). Toyota Australia makes no warranties regarding (and will not be liable for) accuracy of materials distributed in Western Australia. PROOF HQ: T2020-015860. GTP-003684. VERSION: NOVEMBER 2020.