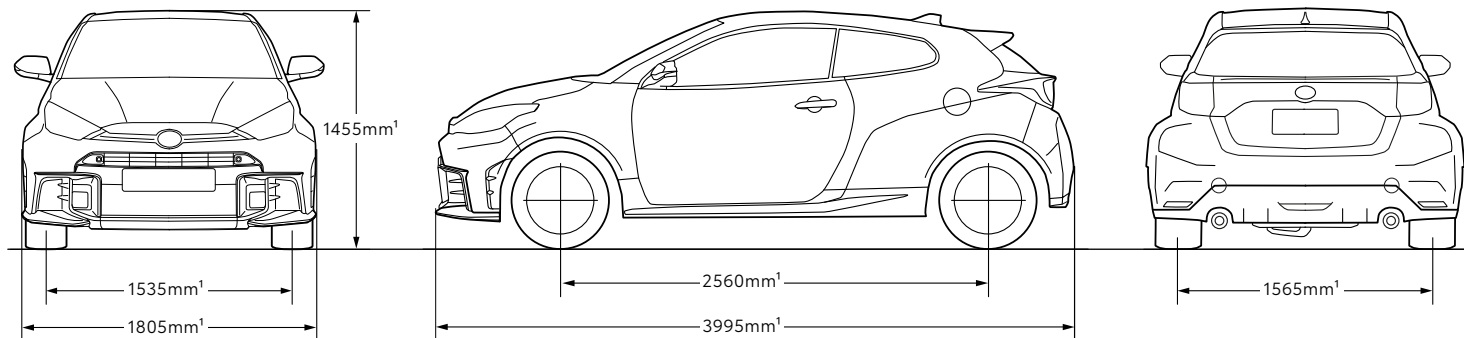


GR Yaris



Please Note: information is accurate as at June 2026.

Specification and imagery are indicative and should only be used as a guide. Vehicle and accessory specification, features, colour and trim may differ at the time of vehicle delivery.



MECHANICAL SPECIFICATIONS		GR Yaris		
ENGINE	Engine code	G16E-GTS		
	Description	1.6L 3-cylinder turbo charged		
	Max power (kW)	221		
	Max torque (Nm)	400		
	CO ₂ emissions ² (combined g/km) Results were achieved under laboratory conditions and do not reflect the emissions in real world driving.	Manual transmission = 186 / Automatic transmission = 206		
FUEL	Fuel economy ³ (L/100km) Results were achieved under laboratory conditions and do not reflect the fuel consumption in real world driving.	Combined	Manual transmission = 8.2 / Automatic transmission = 9.1	
		Extra Urban	Manual transmission = 6.7 / Automatic transmission = 6.9	
		Urban	Manual transmission = 10.8 / Automatic transmission = 13.0	
	Recommended fuel octane rating	98		
DRIVETRAIN	Driveline	GR-FOUR AWD system Electronic multi-plate clutch AWD – 3 selectable modes		
	Transmission	i-MT 6-speed manual (EA67F)	8-speed automatic (UC80F)	
	Transmission gear ratio	1st – 3.5384	1st – 4.4352	
		2nd – 2.2380	2nd – 2.809	
		3rd – 1.5357	3rd – 1.9333	
		4th – 1.1621	4th – 1.497	
		5th – 1.0810	5th – 1.266	
6th – 0.9024		6th – 1.0		
7th – 0.793		7th – 0.793		
8th – 0.65	8th – 0.65			
Reverse – 3.831	Reverse – 3.59			
Final drive gear ratio	3.941 (1st-4th) / 3.350 (5th-6th, Rev)			
BRAKES	Front	Ventilated disc brake with fixed caliper 4-cylinder		
	Rear	Ventilated disc brake with fixed caliper 2-cylinder		
	Brake control system	Anti-lock Braking System with Vehicle Stability Control and Brake Assist		
SUSPENSION	Suspension	MacPherson Strut front suspension and trailing double wishbone		
	High performance suspension	GTS only		

GR YARIS GRADE		GT	GTS	GTS with Aero Performance Package
WEIGHTS AND CAPACITIES (APPROXIMATE)	Vehicle kerb weight ¹ (kg)	Manual transmission: 1280 / Automatic transmission: 1300		
	Gross vehicle weight ¹ (kg)	1645	1645	•
	Seating capacity	4	4	•
	Cargo capacity ¹ (VDA) (Max)	174	174	•
	Fuel tank capacity ¹ (L)	50	50	•
WHEELS	Design and size	ENKEI™,4 18" alloy wheels	BBS 18" forged alloy wheels	BBS 18" forged alloy wheels
	Tyres	225/40ZR18 – Dunlop®4 SP Sport Maxx 050	225/40R18 – Bridgestone™,4 Potenza Race Tyre	225/40R18 – Bridgestone™,4 Potenza Race Tyre
	Tyre repair kit	•	•	•
INTERIOR	Aluminium pedals – brake, accelerator, clutch	•	•	•
	Leather wrapped gear lever	•	•	•
	GR leather heated steering wheel with enlarged grip area, refined paddle shifters and steering switches	•	•	•
	Leather parking brake lever	•	•	•
	Soft touch instrument panel	•	•	•
	Auto-dimming rear mirror	•	•	•
	60:40 split folding rear seats	•	•	•
	Front heated seats	•	•	•
	GR sports seats – suede and synthetic leather accented trimmed	Silver stitching	Red stitching	Red stitching
EXTERIOR	LED Daytime Running Lamps	•	•	•
	LED rear fog lamps	•	•	•
	LED headlamps with Automatic High Beam	•	•	•
	GR red brake calipers	•	•	•
	Auto-electronically retractable door mirrors	•	•	•
	Ducted hood			•
	Large GR rear wing			•
	Front and rear fender ducting			•
	Full underbody cover			•
	Front lip spoiler			•
	INSTRUMENTS AND CONTROLS	12.3" Digital Multi Information Display	•	•
Drive mode select		•	•	•
Smart entry and start system		•	•	•
Automatic climate control air conditioning		•	•	•
STORAGE AND CONVENIENCE	2x Centre console cup holders	•	•	•
	Illuminated entry	•	•	•
	Driver and front passenger sunvisors with mirror	•	•	•
	Driver and passenger door pocket bottle holder	•	•	•
MULTIMEDIA	8" colour touchscreen display	•	•	•
	Satellite navigation	•	•	•
	2x USB-C port ⁵	•	•	•
	Digital radio ⁶ (DAB+)	•	•	•
	Bluetooth ⁷ connectivity	•	•	•
	Voice recognition, Mobile Assistant, Siri ⁸ Eyes Free	•	•	•
	Wireless Apple CarPlay ⁸ and wireless Android Auto™,8	•	•	•
	JBL®4 8-speaker audio	•	•	•
	Steering wheel controls for Multi Information Display, telephone and audio	•	•	•
	Remote air conditioning	•	•	•

GR YARIS GRADE		GT	GTS	GTS with Aero Performance Package
SAFETY ⁹	Toyota Safety Sense – including High-speed Active Cruise Control, Lane Departure Alert, Pre-Collision Safety System, Road Sign Assist (speed signs only), Lane Trace Assist and Automatic High Beam	•	•	•
	Blind Spot Monitor and Safe Exit Assist	•	•	•
	Reversing camera with guidelines	•	•	•
	Anti-lock Braking System with Electronic Brake-force Distribution and Brake Assist	•	•	•
	Vehicle Stability Control and Traction Control	•	•	•
	Hill-start Assist Control	•	•	•
	SRS airbags	•	•	•
	Seatbelt warning	•	•	•
	ISOFIX child restraint anchorage points – rear seats	•	•	•
	All Speed Adaptive Cruise Control – automatic only	•	•	•
	Parking Support Brake System – automatic only	•	•	•
	Engine immobiliser	•	•	•
	Front and rear parking sensors with Rear Cross Traffic Alert	•	•	•
TOYOTA CONNECTED SERVICES ^{10,11,12}	Toyota Essentials Emergency	Complimentary until Telstra 4G sunset or termination of services in accordance with our T&Cs ¹⁰		
	Toyota Essentials	Complimentary until Telstra 4G sunset or termination of services in accordance with our T&Cs ¹⁰		
	Toyota Connect+	1 year complimentary access – Fees apply thereafter. Subject to Telstra 4G sunset or termination of services in accordance with our T&Cs ¹⁰		
	Toyota Connected Multimedia	1 year complimentary access – Fees apply thereafter. Subject to Telstra 4G sunset or termination of services in accordance with our T&Cs ¹⁰		

1 Weights/mass/volumes/dimensions are approximate and subject to individual vehicle variances, and should be confirmed before fitting any accessories, towing or otherwise relying on this value.
2 Results were achieved under laboratory conditions and do not reflect the emissions in real world driving. Results achieved for GR Yaris GT/GTS Manual and Automatic in ADR81/02 combined drive cycle CO₂ testing. Urban cycle results achieved 243g/km and 295g/km and extra urban cycle achieved 152g/km and 155g/km. Results produced in laboratory test conditions, using new sample vehicles without fitment of accessories/customisation, and may not be replicable.
3 Results achieved in ADR81/02 laboratory fuel consumption testing and do not reflect the fuel consumption in real world driving. Results were produced using new sample vehicles without fitment of accessories/customisation, and may not be replicable.
4 Product and company names are trademarks of their respective owners.
5 Compatibility and functionality varies depending on device.
6 Coverage dependent on vehicle location.
7 Bluetooth® is a registered trademark of Bluetooth SIG, Inc.
8 CarPlay® and Siri® are trademarks of Apple, Inc. registered in the U.S. and other countries. Android Auto™ is a trademark of Google LLC. Requires compatible device, USB connection, mobile data, network reception and GPS signal. Mobile usage at user's cost. Apps subject to change. For details see toyota.com.au/services/connected

9 Driver assist feature. Only operates under certain conditions. Check your Owner's Manual for explanation of limitations. Please drive safely.
10 See toyota.com.au/services/connected/terms-conditions for T&Cs.
11 Complimentary periods and available features vary depending on vehicle model, production date and subscription choice, and are subject to change. Complimentary periods commence upon delivery date. Fees may apply thereafter. See toyota.com.au/services/connected. Not available outside Australia, if services disabled or terminated or after Telstra 4G sunset. Dependent on enabled DCM, GPS signal strength, mobile network coverage, mobile app data (at user's cost), enabled push notifications and other factors outside Toyota's control which can limit ability or functionality of system. Check your Owner's Manual or toyota.com.au/services/connected for explanation of limitations. Please drive safely.
12 The myToyota Connect App supports vehicles with a Build date from 2009 onwards, with or without Toyota Connected Services. Requires compatible device and app installation, mobile data (at user's cost), Australian network reception, GPS signal, enabled push notifications and other factors outside Toyota's control which can limit functionality. Features vary by model and may change. See toyota.com.au/services/connected for more information.

IMPORTANT NOTICE – PLEASE READ: Toyota Australia uses its best endeavours to ensure material is accurate at the time of publishing. All information must be confirmed with your Toyota Dealer at the time of ordering, as specifications, applicability and availability may change over time. Colours depicted are a guide only and may vary from actual colours due to the printing/display process. Toyota Australia reserves the right to change and/or discontinue, without notice, models, prices, colours, materials, equipment, specifications. To the extent permitted by law, Toyota Australia will not be liable for any

damage or loss incurred from relying on the information and images contained in this material. Distributed nationally (other than in Western Australia) by Toyota Motor Corporation Australia Limited ABN 64 009 686 097. Material distributed in Western Australia by or on behalf of Prestige Motors Pty Ltd (for vehicles) and by Eastpoint Pty Ltd (for parts/accessories). Toyota Australia makes no warranties regarding (and will not be liable for) accuracy of materials distributed in Western Australia. PROOF HQ: T2026-023173. GTP-009886. VERSION: JUNE 2026.