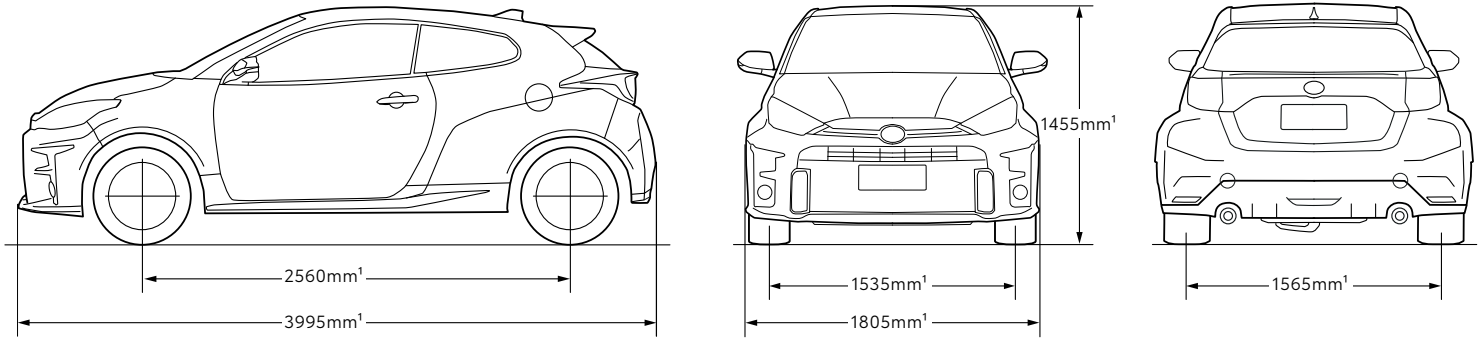


GR Yaris



Please Note: information is accurate as at September 2023.

Specification and imagery are indicative and should only be used as a guide. Vehicle and accessory specification, features, colour and trim may differ at the time of vehicle delivery.



MECHANICAL SPECIFICATIONS		GR Yaris	Rallye Edition
ENGINE	Engine code	G16E-GTS	
	Description	1.6L 3-cylinder turbo charged AWD	
	Max power (kW)	200kW	
	Max torque (Nm) ²	370Nm	
	CO ₂ emissions ³ (combined g/km)	172	
FUEL	Fuel economy ⁴ (L/100km)	Combined	7.6
		Extra Urban	6.4
		Urban	9.6
	Recommended fuel octane rating	98	
DRIVE TRAIN	Transmission	Manual	
	1st gear transmission ratio	3.538	
	2nd gear transmission ratio	2.238	
	3rd gear transmission ratio	1.535	
	4th gear transmission ratio	1.162	
	5th gear transmission ratio	1.081	
	6th gear transmission ratio	0.902	
	Final drive gear ratio	3.941 (1st-4th) / 3.350 (5th-6th, Rev)	
BRAKES	Front	Ventilated disc brake with fixed caliper 4-cylinder	
	Rear	Ventilated disc brake with fixed caliper 2-cylinder	
	Brake control system	Anti-lock Braking System (ABS) with Vehicle Stability Control (VSC) and Brake Assist (BA)	
SUSPENSION	MacPherson front and Wishbone rear	•	•
	High performance suspension		•
WEIGHTS AND CAPACITIES (APPROXIMATE)	Vehicle kerb weight ¹ (kg)	1280min – 1320max	
	Gross vehicle weight ¹ (kg)	1645	
	Seating capacity	4	
	Cargo capacity ¹ (VDA) (Max)	141	
	Fuel tank capacity ¹ (L)	50	
WHEELS	Design and size	ENKEI™, ⁵ made 18" alloy wheels	BBS made 18" forged alloy wheels
	Tyres	225/40ZR18 – DUNLOP® ⁵ SP SPORT MAXX 050	225/40R18-MICHELIN™, ⁵ PILOT SPORT 4S
	Spare wheel	Repair kit	

MECHANICAL SPECIFICATIONS		GR Yaris	Rallye Edition
INTERIOR	Aluminium pedals (brake, accelerator, clutch)		•
	Leather wrapped gear lever		•
	GR leather heated steering wheel		•
	Leather parking brake lever		•
	Soft touch instrument panel		•
	Auto-dimming rear mirror		•
	60:40 split folding rear seats		•
	Front heated seats		•
	GR sports seats (suede and leather accented trimmed)	Silver stitching	Red stitching
EXTERIOR	LED Daytime Running Lamps (DRL)		•
	LED front and rear fog lamps		•
	LED headlamps with Automatic High Beam		•
	GR red brake calipers		•
	Auto-electronically retractable door mirrors		•
INSTRUMENTS AND CONTROLS	4.2" colour Multi Information Display (MID)		•
	Head-Up Display		•
	Drive mode select		•
	Smart entry and start system		•
	Automatic climate control air conditioning		•
STORAGE AND CONVENIENCE	Centre console cup holders x 2		•
	Illuminated entry		•
	Driver and front passenger sunvisors with mirror		•
	Driver and passenger door pocket bottle holder		•
MULTIMEDIA	7" colour touchscreen display		•
	Satellite navigation with SUNA™ ⁶ traffic channel		•
	USB ⁷ input		•
	Digital radio ⁸ (DAB+)		•
	Bluetooth ⁹ connectivity		•
	Voice recognition, Mobile Assistant, Siri ¹⁰ Eyes Free and Miracast ¹¹		•
	Apple CarPlay ¹⁰ and Android Auto™ ¹² (speak to your Dealer about device compatibility)		•
	JBL ⁵ 8-speaker audio		•
	Steering wheel controls for Multi Information Display, telephone and audio		•

MECHANICAL SPECIFICATIONS		GR Yaris	Rallye Edition
SAFETY ¹³	Lane Trace Assist		•
	Pre-Collision Safety system with pedestrian and daylight cyclist detection		•
	Intersection Turn Assistance		•
	Road Sign Assist (speed signs only)		•
	Automatic High Beam		•
	High-speed Active Cruise Control		•
	Blind Spot Monitor		•
	Reversing camera with guidelines		•
	Anti-lock Braking System with Electronic Brake-force Distribution and Brake Assist		•
	Vehicle Stability Control and Traction Control		•
	Hill-start Assist Control		•
	SRS airbags		•
	Seatbelt warning		•
	ISOFIX child restraint anchorage points (rear seats)		•
Engine immobiliser		•	

- 1 Weights/mass/volumes/dimensions are approximate and subject to individual vehicle variances, and should be confirmed before fitting any accessories, towing or otherwise relying on this value.
- 2 Power and torque test standards differ. Ensure comparisons use same test standard.
- 3 Emissions vary depending upon driving conditions/style, vehicle condition and options/accessories fitted.
- 4 Results achieved in ADR81/02 fuel consumption testing. Results produced in laboratory test conditions, using sample vehicles without fitment of accessories/customisation, and do not reflect real world driving. Figures should only be used for comparative purposes.
- 5 Product and company names are trademarks of their respective owners.
- 6 Service varies based on vehicle location. See sunattraffic.com.au
- 7 Compatibility and functionality varies depending on device.

IMPORTANT NOTICE - PLEASE READ:

Toyota Australia uses its best endeavours to ensure material is accurate at the time of publishing. All information must be confirmed with your Toyota Dealer at the time of ordering, as specifications, applicability and availability may change over time. Colours depicted are a guide only and may vary from actual colours due to the printing/display process. Toyota Australia reserves the right to change and/or discontinue, without notice, models, prices, colours, materials, equipment, specifications. To the extent permitted by law, Toyota Australia will not be liable for any damage or loss incurred

- 8 Coverage dependent on vehicle location.
- 9 Bluetooth® is a registered trademark of Bluetooth SIG, Inc.
- 10 CarPlay® and Siri® are trademarks of Apple, Inc. registered in the U.S. and other countries. Requires compatible device, USB connection, mobile data, network reception and GPS signal. Mobile usage at user's cost. Apps subject to change. For details see toyota.com.au/connected
- 11 Save for Toyota trademarks depicted, all other product and company names are trademarks of their respective owners.
- 12 Android Auto™ is a trademark of Google LLC.
- 13 Driver assist feature. Only operates under certain conditions. Check your Owner's Manual for explanation of limitations. Please drive safely.

from relying on the information and images contained in this material. Distributed nationally (other than in Western Australia) by Toyota Motor Corporation Australia Limited ABN 64 009 686 097. Material distributed in Western Australia by or on behalf of Prestige Motors Pty Ltd (for vehicles) and by Eastpoint Pty Ltd (for parts/accessories). Toyota Australia makes no warranties regarding (and will not be liable for) accuracy of materials distributed in Western Australia. **PROOF HQ: T2021-016336. GTP-007627. VERSION: SEPTEMBER 2023.**