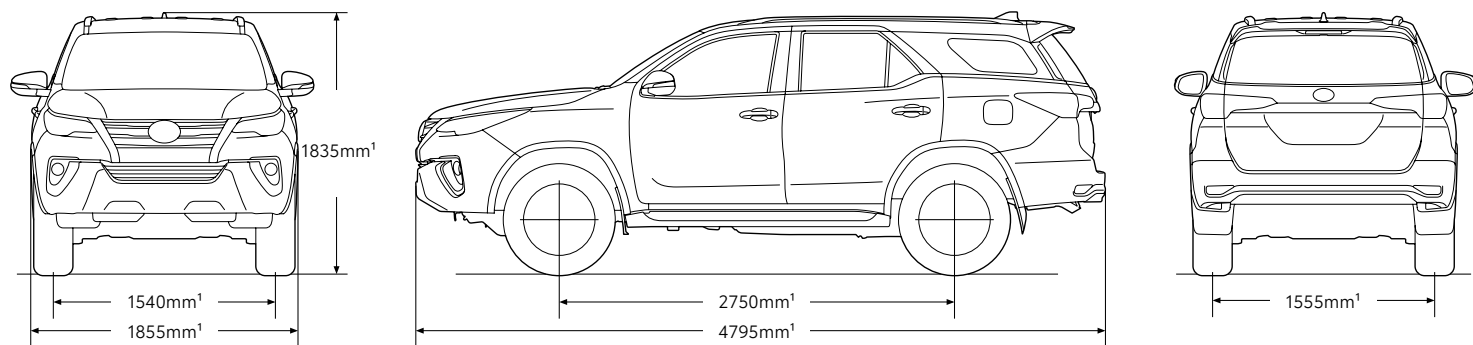


Fortuner



FORTUNER MODEL		GX	GXL	Crusade	
Engine	Engine Name	1GD-FTV			
	Number of cylinders and arrangement	4-cylinder, in-line			
	Valve mechanism	16V, DOHC, chain drive			
	Bore x stroke	92.0 x 103.6			
	Displacement (cm ³)	2755			
	Compression ratio	15.6:1			
	Fuel system	Common-rail			
	Maximum output (kW@rpm) ²	130 @ 3400 ²			
	Maximum torque (Nm@rpm) ²	450 @ 1600 to 2400 ²			
	Fuel consumption ³ (L/100km)	Combined	8.6		
		Urban	11		
		Extra-urban	7.3		
	CO ₂ emission ⁴ (g/km)	228			
Fuel type	Diesel				
Diesel Particulate Filter (forced burn off) switch	Standard on all grades				
Transmission	Type	Automatic			
	Gear ratios	1st 3.600; 2nd 2.090; 3rd 1.488; 4th 1.000; 5th 0.687; 6th 0.580; Reverse 3.732			
Steering	Type	Power Assisted Hydraulic			
Brakes	Brake type	Front	Ventilated Disc		
		Rear	Ventilated Disc		
Weight (Approximate)	Kerb weight (kg) ¹	2120	2110	2135	
	Gross Vehicle Mass (kg) ¹	2750	2750	2750	
Capacities	Towing capacity ⁵	Unbraked (kg) 750			
Exterior	Full size spare wheel	Steel	Steel	Alloy	
	Power back door			•	
	Privacy glass		•	•	
	LED Daytime Running Lamps (DRLs), LED headlamps, LED fog lamps			•	
	Halogen headlamps	•	•		
	Halogen fog lamps		•		
	Chrome radiator grille, backdoor garnish and exterior handles		•	•	
	Roof rails		•	•	
	Side steps	•	•	•	
	Front and rear mudguards	•	•	•	
	Body coloured retractable exterior mirrors	•	•	•	
Interior	Door courtesy lamps			•	
	Leather accented interior		OPT	•	
	Woodgrain-look instrument panel highlights			•	
	Premium steering wheel and gear lever		•	•	
	Premium brake lever			•	
	Chrome interior door handles	•	•	•	
Seating	8-way power adjustable driver's seat		OPT	•	
	4-way adjustable passenger and 6-way adjustable driver's sports front seats	•	•		
	60/40 tip and tumble 2nd row seats	•	•	•	
	Split side stowable 3rd row seats	•	•	•	

FORTUNER MODEL		GX	GXL	Crusade
Features	Soft touch console box lid			•
	Eco meter and eco zone display	•	•	•
	Drive mode select	•	•	•
	220V accessory connector			•
	Automatic Climate Control air conditioning			•
	Front and rear air conditioning	•	•	•
	Clean air filter	•	•	•
	Front air conditioned cooler box	•	•	•
	Rear differential lock	•	•	•
	Paddle shifters		•	•
	Smart entry and start system		•	•
	4.2" colour Multi Information Display (MID)	•	•	•
	Meter illumination control		•	•
	Power windows (Driver auto up/down)	•		
	Power windows (All auto up/down)		•	•
	Intermittent time adjustable wipers	•	•	•
	2 x ISOFIX and 3 x top tether anchors for the 2nd row seats	•	•	•
	3 x 12V accessory socket	•	•	•
	Audio, phone, voice recognition and MID steering wheel switch	•	•	•
	Satellite navigation ⁶		•	•
	Toyota Link	•	•	•
Manual headlamp levelling	•	•		
Automatic headlamp levelling			•	
Automatic headlamps (light sensitive)	•	•	•	
Instruments and Controls	Drive mode select (ECO and Power)	•	•	•
	Soft touch instrument panel	•	•	•
	Manual tilt shift and telescopic steering wheel	•	•	•
Storage	Front and rear cup holders and bottle holders	•	•	•
	Console box	•	•	•
Sound System	6 speakers	•	•	
	11 JBL ^{®7} speaker system			•
	USB and AUX jack ⁸	•	•	•
	7" display audio screen	•	•	•
	AM, FM, CD, Bluetooth ⁹	•	•	•
	Voice recognition	•	•	•
Digital radio (DAB) ¹⁰		•	•	
Safety	Toyota Safety Sense ¹¹ (Pre-Collision Safety system with pedestrian and daytime cyclist detection, Lane Departure Alert, High-Speed Active Cruise Control and Road Sign Assist)	•	•	•
	3-point seatbelts with Emergency Locking Retractor	•	•	•
	Reversing camera and reverse parking sensors	•	•	•
	Anti-lock Braking System (ABS)	•	•	•
	Vehicle Stability Control (VSC)	•	•	•
	Hill-start Assist Control (HAC)	•	•	•
	Downhill Assist Control (DAC)		•	•
	Electronic Brake-force Distribution (EBD)	•	•	•
	Trailer Sway Control (TSC)	•	•	•
	Emergency stop signal	•	•	•
7 SRS airbags	•	•	•	

1 Weights/mass/volumes/dimensions are approximate and subject to individual vehicle variances, and should be confirmed before fitting any accessories, towing or otherwise relying on this value.

2 Power and torque test standards differ. Ensure comparisons use same test standard.

3 Achieved in test conditions. Actual fuel consumption may vary depending on driving conditions/style, vehicle condition and options/accessories fitted. Fuel consumption data provided for comparison purposes only.

4 Emissions vary depending on driving conditions/style, vehicle conditions and options/accessories

5 Towing capacity is subject to regulatory requirements, vehicle design and towing equipment limitations. Ask your Dealer for Toyota Genuine tow bar capacity and availability details.

IMPORTANT NOTICE - PLEASE READ: Toyota Australia uses its best endeavours to ensure material is correct when published. Check with your authorised Toyota Dealer when ordering to ensure the vehicle with your chosen specifications, equipment and colour is available and can be delivered within the timeframe suitable to you. When ordering accessories, check with your authorised Toyota Dealer to ensure the accessory's design, features and colours are available and fit your vehicle. Ensure the mass of your load does not exceed the maximum allowable individual axle capacity, Gross Vehicle Mass and/or Gross Combined Mass of the vehicle. Refer to toyota.com.au for further details. Colours displayed are a guide only and may vary from actual colours due to printing/display processes. Certain accessories when fitted will require the removal of standard equipment, which may be retained by

6 Coverage varies based on vehicle location. Only available on GXL and Crusade models.

7 JBL[®] is a registered trade mark of Harman International Industries, Incorporated.

8 Compatibility and functionality varies depending on device.

9 Bluetooth[®] is a registered trademark of Bluetooth SIG, Inc.

10 Coverage dependent on vehicle location.

11 Driver assist feature. Only operates under certain conditions. Check your Owner's Manual for explanation of limitations. Please drive safely.

Toyota Australia or your Toyota dealer. Toyota Australia reserves the right to change, without notice, prices, colours, materials, equipment, and specifications and discontinue colours/models. To the extent permitted by law, Toyota Australia will not be liable for any damage, loss or expense incurred as a result of reliance on this material in any way. Distributed nationally (other than in Western Australia) by Toyota Motor Corporation Australia Limited ABN 64 009 686 097, 155 Bertie St, Port Melbourne 3207. Material distributed in Western Australia by or on behalf of Prestige Motors Pty Ltd (for vehicles) and by Eastpoint Pty Ltd (for parts/accessories). Toyota Australia makes no warranties regarding (and will not be liable for) accuracy of materials distributed in Western Australia. T2019-012933. GTO2042. VERSION: SEPTEMBER 2019.