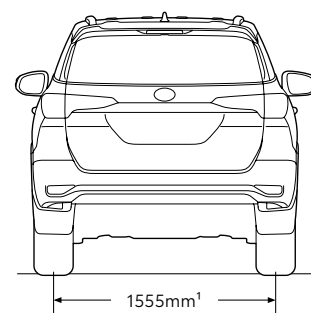
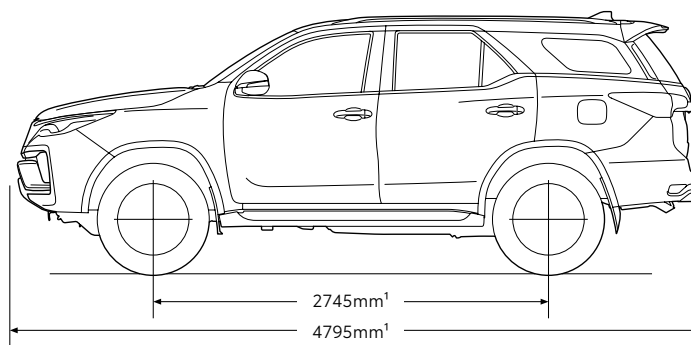
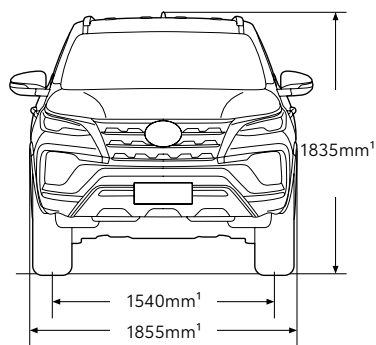


Fortuner



FORTUNER MODEL		GX	GXL	Crusade
ENGINE	Engine name	1GD-FTV		
	2.8L turbo diesel	•	•	•
	Number of cylinders and arrangement	4 cylinder, in line		
	Valve mechanism	16V, DOHC, chain drive		
	Displacement (cm ³)	2755		
	Maximum output (kW@rpm)	150 @ 3000-3400		
	Maximum torque (Nm@rpm)	500 @ 1600-2800		
	Bore x stroke (mm)	92.0 x 103.6		
	Compression ratio	15.6:1		
FUEL	Fuel type	Diesel		
	Fuel economy (L/100km)	Combined ²	7.6	
		Urban ²	9.1	
		Extra-urban ²	6.8	
	Fuel system	Fuel injection with common-rail		
	CO ₂ emission combined ³ (g/km)	201		
Diesel Particulate Filter (forced burn off) switch	•	•	•	
TRANSMISSION	Type	Automatic		
	Gear ratios	1st 3.600; 2nd 2.090; 3rd 1.488; 4th 1.000; 5th 0.687; 6th 0.580; Reverse 3.732		
	Driveline	Part time 4x4		
BRAKES	Brake type - front/rear	Ventilated disc		
	Handbrake	Lever type		
STEERING	Type	Power Assisted Hydraulic		
	Turning circle - kerb to kerb (m)	11.6		
SUSPENSION	Suspension	Front: double wishbone configuration / Rear: 5-link coil spring configuration		
	Anti-roll bar	Front and rear		
WEIGHTS AND CAPACITIES (APPROXIMATE)	Towing ⁴ - braked/unbraked (kg)	3100/750		
	Maximum kerb weight ¹ (kg)	2175	2185	2190
	Gross Vehicle Mass ¹ (kg)	2800	2800	2800
	Seating capacity	7	7	7
	Fuel tank capacity (L)	80	80	80
WHEELS	Design and size	17" alloy	17" alloy	18" alloy
	Full size spare wheel	Steel	Steel	Alloy

FORTUNER MODEL		GX	GXL	Crusade
EXTERIOR	Body colour exterior door handles	•		
	Chrome exterior door handles		•	•
	Privacy glass - rear and rear side		•	•
	Auto-levelling headlamps	•	•	•
	Automatic Bi-LED headlamps - light sensitive	•	•	•
	LED Daytime Running Lamps (DRLs)	•	•	•
	LED fog lamps		•	•
	Roof rails		•	•
	Side steps	•	•	•
	Door courtesy lamps			•
	Body coloured retractable side mirrors	•	•	•
	Front and rear mudguards	•	•	•
	Shark fin antenna	•	•	•
	INTERIOR	Leather accented interior		Optional
Premium woodgrain-look steering wheel			•	•
Driver and front passenger heated seats				•
60/40 tip and tumble 2nd row		•	•	•
Split side stowable 3rd row seats		•	•	•
Folding 2nd row centre armrest		•	•	•
Front and rear air conditioning		•		
Front dual zone climate control			•	•
Front air conditioned cooler box		•	•	•
Power windows - front and rear		•	•	•
Electrochromatic interior mirror				•
INSTRUMENTS AND CONTROLS		Power back door		
	Remote locking with key start	•		
	Smart entry and start sytem		•	•
	Manual tilt and telescopic steering column	•	•	•
	Drive mode select switches	•	•	•
	Rear differential lock	•	•	•
	Paddle shifters		•	•
	Intermittent time adjustable wipers	•	•	•
	4.2" Multi Information Display (MID)	•	•	•
	3x 12V accessory socket - 1x front, 1x rear centre console, 1x cargo area	•	•	•
	220V accessory connector			•
MULTIMEDIA	8" colour touchscreen display	•	•	•
	Satellite navigation	Optional	•	•
	USB input	•	•	•
	Digital radio	Optional	•	•
	Bluetooth®5 connectivity	•	•	•
	Apple CarPlay®6 and Android Auto™.7 (speak to your Dealer about device compatibility)	•	•	•
	6 speakers	•	•	
	11-speaker JBL®8 premium audio system			•
	Steering wheel controls with audio, MID, voice recognition and telephone controls	•	•	•

FORTUNER MODEL		GX	GXL	Crusade
TOYOTA CONNECTED SERVICES ⁹	Toyota Connected Services ⁹	3 years complimentary access ⁹		
	Stolen Vehicle Tracking ¹⁰	•	•	•
	Automatic Collision Notification ¹¹	•	•	•
	SOS Emergency Call ¹²	•	•	•
SAFETY	Toyota Safety Sense – including Pre-Collision Safety system with pedestrian and daytime cyclist detection, Lane Departure Alert with brake to steer, High-Speed Active Cruise Control and Road Sign Assist (speed signs only)	•	•	•
	Blind Spot Monitor			•
	Rear Cross Traffic Alert (RCTA)			•
	Reversing camera with fixed guidelines	•	•	•
	Panoramic View Monitor			•
	Front and rear parking sensors	•	•	•
	7 SRS airbags	•	•	•
	Seatbelt warning - front seats and 2nd row seats	•	•	•
	3-point seatbelts with Emergency Locking Retractor (ELR)	•	•	•
	Emergency stop signal	•	•	•
	Anti-lock Braking System with Electronic Brake-force Distribution	•	•	•
	Brake Assist	•	•	•
	Vehicle Stability Control	•	•	•
	Hill-start Assist Control	•	•	•
	Downhill Assist Control		•	•
	Trailer Sway Control	•	•	•
Drive Start Control	•	•	•	
ISOFIX child restraint anchorage points	•	•	•	

1 Weights/mass/volumes/dimensions are approximate and subject to individual vehicle variances, and should be confirmed before fitting any accessories, towing or otherwise relying on this value.

2 Achieved in test conditions for comparison purposes only. Actual fuel consumption varies depending on driving conditions/style, vehicle condition, load and options/accessories fitted. Source: ADR81/02 combined.

3 Emissions vary depending on driving conditions/style, vehicle condition and options/accessories fitted.

4 Towing capacity subject to regulatory requirements, tow bar and vehicle design and towing equipment limitations. Ask your Dealer for Toyota Genuine tow bar capacity and availability details.

5 Bluetooth® is a registered trademark of Bluetooth SIG, Inc.

6 CarPlay® is a trademark of Apple, Inc. registered in the U.S. and other countries.

7 Android Auto™ is a trademark of Google LLC.

8 Product and company names are trademarks of their respective owners.

9 Complimentary period ends 3 years from delivery date. Fees and charges may apply after expiry of complimentary period. Not available outside Australia or if services are disabled or terminated. Dependent on 3G/4G enabled DCM, GPS signal strength, mobile network coverage and other factors outside Toyota's control which can limit the ability or functionality of the system. Check your Owner's Manual for explanation of limitations. Please drive safely.

10 SVT – Not available outside Australia or if service is disabled or terminated. Dependent on sufficient battery power, 3G/4G enabled DCM, GPS signal strength, mobile network coverage, operational related components and other factors outside Toyota's control which can limit the ability or functionality of the system. Guest required to obtain Police report. Vehicle location information, if available, only provided to Police. Vehicle recovery not guaranteed. For details, visit toyota.com.au/connected/faqs-supportconnected/connect-app

11 ACN – Driver assist feature only. Not a substitute for safe driving practices. Not available outside Australia or if service is disabled or terminated. Only activates if vehicle's DCM detects airbag deployment or an impact sensor notification. Dependent on 3G/4G enabled DCM, GPS signal strength, mobile network coverage, operational related components and other factors outside Toyota's control which can limit the ability or functionality of the system. Check your Owner's Manual for explanation of limitations. Please drive safely.

12 SOS – Driver assist feature only. Not a substitute for safe driving practices. Not available outside Australia or if service is disabled or terminated. Only operates if vehicle's SOS button is pressed. Dependent on 3G/4G enabled DCM, GPS signal strength, mobile network coverage, operational related components and other factors outside Toyota's control which can limit the ability or functionality of the system. Check your Owner's Manual for explanation of limitations. Please drive safely.

IMPORTANT NOTICE – PLEASE READ: Toyota Australia uses its best endeavours to ensure material is accurate at the time of publishing. All information must be confirmed with your Toyota Dealer at the time of ordering, as specifications, applicability and availability may change over time. Colours depicted are a guide only and may vary from actual colours due to the printing/display process. Toyota Australia reserves the right to change and/or discontinue, without notice, models, prices, colours, materials, equipment, specifications. To the extent permitted by law, Toyota Australia will

not be liable for any damage or loss incurred from relying on the information and images contained in this material. Distributed nationally (other than in Western Australia) by Toyota Motor Corporation Australia Limited ABN 64 009 686 097. Material distributed in Western Australia by or on behalf of Prestige Motors Pty Ltd (for vehicles) and by Eastpoint Pty Ltd (for parts/accessories). Toyota Australia makes no warranties regarding (and will not be liable for) accuracy of materials distributed in Western Australia. PROOF HQ: T2021-017571. GTO-004585. VERSION: NOVEMBER 2021.