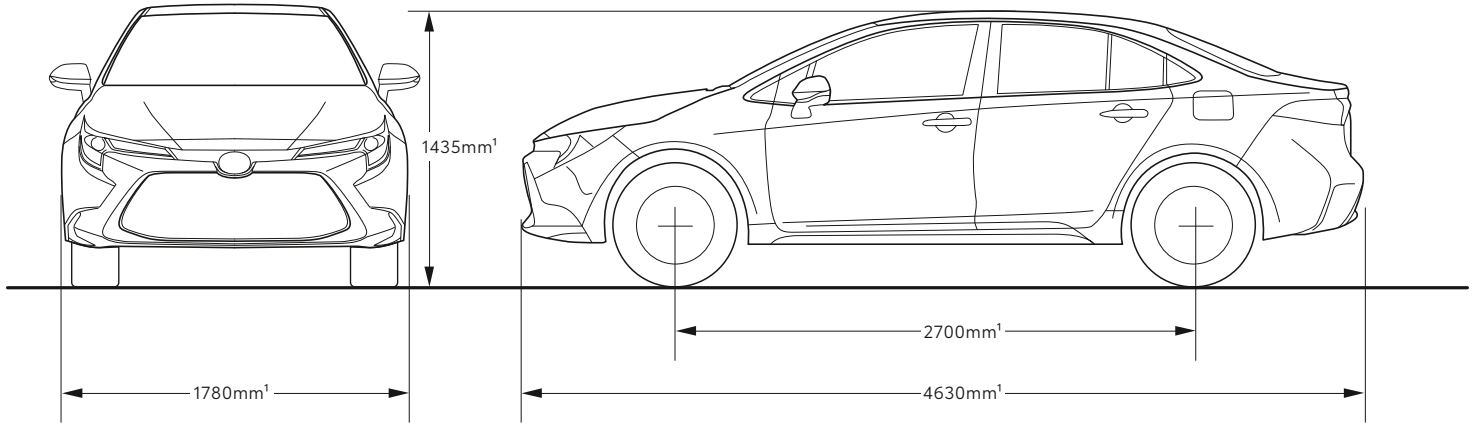


# Corolla Sedan



MECHANICAL SPECIFICATIONS		Ascent Sport	Ascent Sport Hybrid	SX	SX Hybrid	ZR
ENGINE	2.0L 4-cylinder Dynamic Force Dual VVT-i petrol engine	•		•		•
	1.8L 4-cylinder VVT-i engine with Toyota Hybrid system		•		•	
	Max power (kW)/Max torque (Nm)	125kW/200Nm	72kW/142Nm	125kW/200Nm	72kW/142Nm	125kW/200Nm
FUEL	Fuel economy <sup>2</sup>	6.0L/100km	3.6L/100km	6.0L/100km	3.6L/100km	6.0L/100km
	Recommended fuel octane rating	91	91	91	91	91
TRANSMISSION	Direct Shift Continuously Variable Transmission (Auto CVT)	•		•		•
	Continuously Variable Transmission (Auto CVT)		•		•	
BRAKES	Front and rear	Front ventilated disc brake and rear solid disc brake				
	Electronic Park Brake	•	•	•	•	•
	Regenerative braking system		•		•	
SUSPENSION	Suspension	Macpherson strut type front suspension and trailing wishbone rear suspension				
WEIGHTS AND CAPACITIES (APPROXIMATE)	Braked towing capacity <sup>3</sup> (kg)	1300	N/A	1300	N/A	1300
	Unbraked towing capacity <sup>3</sup> (kg)	450	N/A	450	N/A	450
	Vehicle kerb weight <sup>1</sup> (kg)	1375	1385	1415	1385	1415
	Gross vehicle weight <sup>1</sup> (kg)	1845	1775	1845	1775	1845
	Seating capacity	5	5	5	5	5
	Fuel tank capacity <sup>1</sup> (L)	50	43	50	43	50
WHEELS	Design and size	16" alloy	16" alloy	16" alloy	16" alloy	18" alloy
	Spare wheel	Full size alloy	Temporary	Temporary	Temporary	Temporary
EXTERIOR	Triple LED Parabola headlamps	•	•	•		
	Bi-Beam LED headlamps				•	•
	LED Daytime Running Lamps	•	•	•	•	•
	LED tail lamps	•	•	•	•	•
	Rear LED fog lamp	•	•	•	•	•
	Side and rear privacy glass			•	•	•
	Heated door mirrors	•	•	•	•	•
	Rain sensing wipers					•
INTERIOR	Premium steering wheel and gear lever			•	•	•
	Front bucket seats	•	•	•	•	
	Sports front bucket seats					•
	8-way power adjustable driver's seat					•
	Heated driver and passenger front seats					•
	Premium interior trim					•
	Driver's seat lumbar support					•
	Intelligent ambient illumination					•
	Auto-dimming rear view mirror (interior)					•
	Front and rear auto power operation windows	•	•	•	•	•
	60/40 split fold rear seats	•	•	•	•	•
	Folding rear seat centre armrest	•	•	•	•	•

MECHANICAL SPECIFICATIONS		Ascent Sport	Ascent Sport Hybrid	SX	SX Hybrid	ZR
<b>INSTRUMENTS AND CONTROLS</b>	4.2" Multi Information Display	•	•			
	7" Multi Information Display			•	•	•
	Head-Up Display					•
	Drive mode select	•	•	•	•	•
	Paddle shift controls			•		•
	Smart entry and start system		•	•	•	•
	Manual air conditioning	•				
	Single-zone automatic climate control air conditioning		•	•	•	•
	USB charging point			•	•	•
<b>STORAGE AND CONVENIENCE</b>	Centre console storage box and rear tray	•	•	•	•	•
	Door pockets – driver and front passenger	•	•	•	•	•
	Illuminated glovebox	•	•	•	•	•
	Driver and front passenger sunvisors with mirror and light	•	•	•	•	•
	4 x cup holders and 4 x bottle holders	•	•	•	•	•
<b>MULTIMEDIA</b>	8" colour touchscreen display	•	•	•	•	•
	Satellite navigation <sup>4</sup> with SUNA <sup>TM</sup> <sup>5</sup> traffic channel and digital radio <sup>4</sup> (DAB+)	Optional	Optional	•	•	•
	USB <sup>6</sup> input	•	•	•	•	•
	Bluetooth <sup>®7</sup> connectivity	•	•	•	•	•
	Voice recognition, Mobile Assistant, Siri <sup>®7</sup> Eyes Free, Miracast <sup>®7</sup> and myToyota app	•	•	•	•	•
	Apple CarPlay <sup>®7</sup> and Android Auto <sup>™7</sup>	•	•	•	•	•
	Wireless phone charger			•	•	•
	6 audio speakers	•	•	•	•	•
	9-speaker JBL <sup>®8</sup> premium audio system					•
	Steering wheel controls for Multi Information Display (MID), telephone and audio	•	•	•	•	•
<b>SAFETY<sup>9</sup></b>	Lane Trace Assist	•	•	•	•	•
	Lane Departure Alert with steering assist	•	•	•	•	•
	Pre-Collision Safety system with pedestrian and daytime cyclist detection	•	•	•	•	•
	Road Sign Assist (speed signs only)	•	•	•	•	•
	Automatic High Beam	•	•	•	•	•
	All-speed Active Cruise Control	•	•	•	•	•
	Blind Spot Monitor			•	•	•
	Rear Cross Traffic Alert			•	•	•
	Reversing camera	•	•	•	•	•
	Brake Assist	•	•	•	•	•
	Vehicle Stability Control and Traction Control	•	•	•	•	•
	Hill-start Assist Control	•	•	•	•	•
	Active Cornering Assist	•	•	•	•	•
	7 SRS airbags – front, front side, full length curtain airbags and driver's knee airbag	•	•	•	•	•
	Seatbelt warning	•	•	•	•	•
	ISOFIX child restraint anchorage points (rear outboard seats)	•	•	•	•	•
Engine immobiliser	•	•	•	•	•	

- Weights/mass/volumes/dimensions are approximate and subject to individual vehicle variances, and should be confirmed before fitting any accessories, towing or otherwise relying on this value.
- Achieved in test conditions for comparison purposes only. Actual fuel consumption varies depending on driving conditions/style, vehicle condition, load and options/accessories fitted. Source: ADR81/02 combined (L/100km).
- Towing capacity is subject to regulatory requirements, tow bar and vehicle design and towing equipment limitations. Ask your Dealer for Toyota Genuine tow bar capacity and availability details.
- Coverage dependent on vehicle location.
- Service varies based on vehicle location. See [sunattraffic.com.au](http://sunattraffic.com.au)

**IMPORTANT NOTICE – PLEASE READ:**

Toyota Australia uses its best endeavours to ensure material is accurate at the time of publishing. All information must be confirmed with your Toyota Dealer at the time of ordering, as specifications, applicability and availability may change over time. Colours depicted are a guide only and may vary from actual colours due to the printing/display process. Toyota Australia reserves the right to change and/or discontinue, without notice, models, prices, colours, materials, equipment, specifications. To the extent permitted by law, Toyota Australia will not be liable for any damage or loss incurred from relying on the information

- Compatibility and functionality varies depending on device.
- Bluetooth<sup>®</sup> is a registered trademark of Bluetooth SIG, Inc. Siri<sup>®</sup> is a trade mark of Apple, Inc. registered in the U.S. and other countries. Miracast<sup>®</sup> is a registered trade mark of Wi-Fi Alliance. CarPlay<sup>®</sup> is a trademark of Apple, Inc. registered in the U.S. and other countries. Android Auto<sup>™</sup> is a trademark of Google LLC.
- Product and company names are trademarks of their respective owners.
- Driver assist feature. Only operates under certain conditions. Check your Owner's Manual for explanation of limitations. Please drive safely.

and images contained in this material. Distributed nationally (other than in Western Australia) by Toyota Motor Corporation Australia Limited ABN 64 009 686 097. Material distributed in Western Australia by or on behalf of Prestige Motors Pty Ltd (for vehicles) and by Eastpoint Pty Ltd (for parts/accessories). Toyota Australia makes no warranties regarding (and will not be liable for) accuracy of materials distributed in Western Australia. PROOF HQ: T2021-016744. GTP-004610. VERSION: JULY 2021.