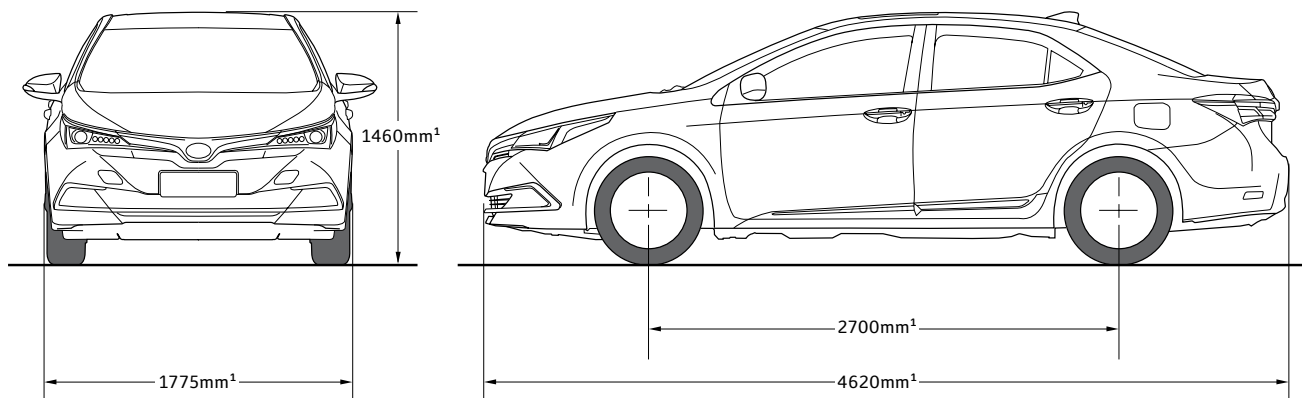


TOYOTA

Corolla Sedan



MECHANICAL SPECIFICATIONS		Ascent	SX	ZR
Engine	1.8L 4-cylinder in-line and 16-valve Double Overhead Camshafts (DOHC) with Dual VVT-i	•	•	•
	Petrol – Max. power: 103kW/6400rpm ² , Max. torque: 173Nm/4000rpm ²	•	•	•
Fuel	Fuel economy ³ - 1.8L manual	6.8L/100km	6.8L/100km	
	Fuel economy ³ - 1.8L auto CVT	6.4L/100km	6.4L/100km	6.4L/100km
	Recommended fuel octane rating	91 or more	91 or more	91 or more
Transmission	6-speed manual	•	•	
	7-speed auto CVT	•	•	•
Capacities	Seating capacity	5	5	5
	Fuel tank capacity (litres)	55	55	55
Exterior	Steel wheels	15"		
	Alloy wheels	Optional 15"	16"	16"
	Full size spare wheel	•	•	•
	Front fog lamps	•	•	•
	Body coloured door mirrors with side turn lamp	•	•	•
	Electronically retractable side mirrors	•	•	•
	Halogen headlamps with manual levelling	•	•	
	Bi-LED headlamps with Daytime Running Lamps (DRLs)			•
	Automatic headlamp levelling			•
	Automatic rain sensing wipers			•
Interior	Front bucket seats	•	•	•
	60/40 split fold rear seats	•	•	•
	Power windows (front and rear)	•	•	•
	Auto-dimming rear view mirror			•
	Premium 3-spoke steering wheel		•	•
	Premium shift lever		•	•
	Leather accented interior			•
	Power adjustable driver's seat and lumbar support			•
	4.2" colour Multi Information Display (MID)	•	•	•
	Cruise control	•	•	•
	Smart entry and start system		•	•
	Tilt and telescopic steering column adjustment	•	•	•

MECHANICAL SPECIFICATIONS		Ascent	SX	ZR
Interior <i>continued</i>	Steering wheel controls for MID, telephone and audio	•	•	•
	7-speed auto CVT with paddle shift controls			•
	Manual air conditioning	•	•	
	Single-zone automatic climate control air conditioning			•
Storage and Convenience	Front and rear cup holders	•	•	•
	Bottle holders – front and rear	•	•	•
	Accessory socket (front)	•	•	•
	Coin box	•	•	•
	Front seat back pockets	•	•	•
	Driver and passenger sunvisors with vanity mirrors and lamps	•	•	•
	Rear coat hooks (x2)	•	•	•
	Headlight reminder warning buzzer	•	•	•
	Seatbelt warning light and buzzer – front seats	•	•	•
	Centre console with storage box lid	•	•	•
Multimedia	7" touchscreen colour display	•	•	•
	Toyota Link ⁴	•	•	•
	Voice recognition	•	•	•
	Bluetooth ⁵ hands-free connectivity	•	•	•
	USB input for compatible iPods ⁶ /USB memory sticks ⁷	•	•	•
	AUX 3.5mm audio input for portable audio players ⁷	•	•	•
	Six speakers	•	•	•
	Satellite navigation ⁸ with SUNA TM ⁹ traffic channel	Optional	•	•
Safety	Emergency Brake Signal	•	•	•
	Toyota Safety Sense ⁶ (Pre-Collision Safety system, Lane Departure Alert, Automatic High Beam)	Optional	Optional	•
	Vehicle Stability Control (VSC) and Traction Control (TRC)	•	•	•
	Anti-lock Braking System (ABS) with Electronic Brake-force Distribution (EBD) and Brake Assist (BA)	•	•	•
	Seven SRS airbags	•	•	•
	Three child restraint anchorage points	•	•	•
	Reversing camera with fixed guidelines	•	•	•
	Front and rear parking sensors		•	•
	Rear clearance sensors	•	•	•
Security	Engine immobiliser	•	•	•
	Anti-theft alarm			•

1 Weights/mass/volumes/dimensions are approximate and subject to individual vehicle variances, and should be confirmed before fitting any accessories, towing or otherwise relying on this value.

2 Power and torque test standards differ. Ensure comparisons use same test standard.

3 Achieved in test conditions for comparison purposes only. Actual fuel consumption varies depending on driving conditions/style,

vehicle condition, load and options/accessories fitted. Source: ADR81/02 combined cycle.

4 Requires installation of a compatible app, third party information, sufficient mobile data & GPS signal. Mobile usage is at user's cost. Toyota Australia reserves the right to add, remove or modify applications. For further information see toyota.com.au/toyotalink.

5 Bluetooth[®] is a registered trademark of Bluetooth SIG, Inc. iPod[®] is a

trademark of Apple, Inc. registered in the U.S. and other countries.

6 Driver assist feature. Only operates under certain conditions. Check your Owner's Manual for explanation of limitations. Please drive safely.

7 Compatibility and functionality varies depending on device.

8 Coverage varies based on vehicle location.

9 Service varies based on vehicle location. See sunattraffic.com.au.

IMPORTANT NOTICE – PLEASE READ: Toyota Australia uses its best endeavours to ensure material is accurate at the time of publishing. All information must be confirmed with your Toyota Dealer at the time of ordering, as specifications, applicability and availability may change over time. Colours depicted are a guide only and may vary from actual colours due to the printing/display process. Toyota Australia reserves

the right to change and/or discontinue, without notice, models, prices, colours, materials, equipment, specifications. To the extent permitted by law, Toyota Australia will not be liable for any damage or loss incurred from relying on the information and images contained in this material. Distributed nationally (other than in Western Australia) by Toyota Motor Corporation Australia Limited ABN 64 009 686 097. Material distributed in

Western Australia by or on behalf of Prestige Motors Pty Ltd (for vehicles) and by Eastpoint Pty Ltd (for parts/accessories). Toyota Australia makes no warranties regarding (and will not be liable for) accuracy of materials distributed in Western Australia. PROOF HQ: T2019-011779. GTP1912. VERSION: APRIL 2019.