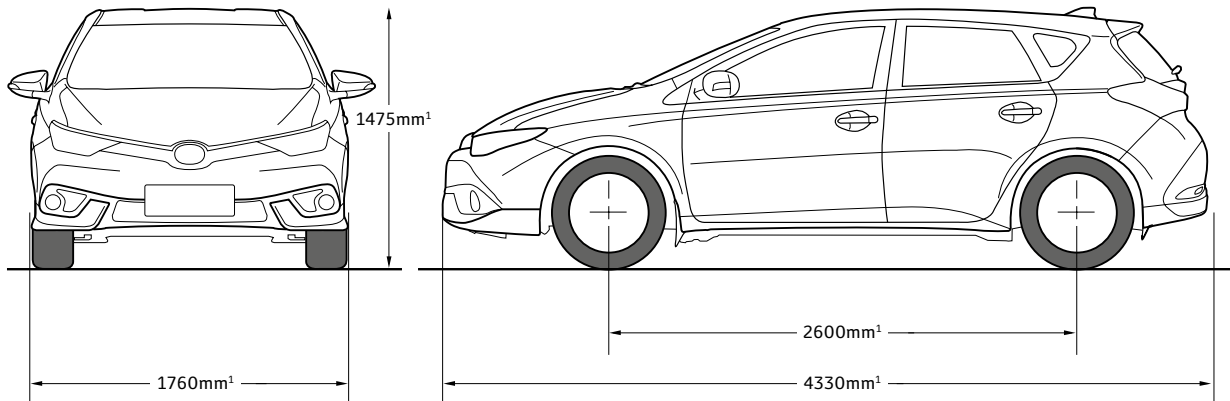


**TOYOTA**

# COROLLA HATCH



MECHANICAL SPECIFICATIONS		Ascent	Ascent Sport	Hybrid	SX	ZR
<b>Engine</b>	1.8L 4-cylinder in-line and 16-valve Double Overhead Camshafts (DOHC) with Dual VVT-i	•	•	•	•	•
	Petrol – Max. power: 103kW/6400rpm <sup>2</sup> , Max. torque: 173Nm/4000rpm <sup>2</sup>	•	•		•	•
	Hybrid – Total System Output: 100kW <sup>2</sup>			•		
<b>Fuel</b>	Fuel economy: 1.8L manual	6.7L/100km <sup>3</sup>	6.7L/100km <sup>3</sup>			
	Fuel economy: 1.8L CVT	6.1L/100km <sup>3</sup>	6.1L/100km <sup>3</sup>	4.1L/100km <sup>3</sup>	6.1L/100km <sup>3</sup>	6.1L/100km <sup>3</sup>
	Recommended fuel octane rating	91 or more	91 or more	95 or more	91 or more	91 or more
<b>Transmission</b>	6-speed manual	•	•			
	7-speed CVT	•	•		•	•
	Hybrid CVT			•		
<b>Capacities</b>	Seating capacity	5	5	5	5	5
	Fuel tank capacity (litres)	50	50	45	50	50
<b>Exterior</b>	Steel wheels	16"				
	Alloy wheels		16"	16"	17"	17"
	Full size spare wheel	•	•			
	Temporary spare wheel			•	•	•
	Front fog lamps		•	•	•	•
	Body coloured and electric door mirrors with side turn lamp	•	•	•	•	•
	Heated and auto folding door mirrors					•
	Halogen projector headlamps with manual levelling	•	•		•	
	Bi-LED headlamps with Daytime Running Lamps (DRLs)			•		•
	Automatic headlamp levelling			•		•
	Front spoiler				•	•
	Rear bumper skirts				•	•
	Side skirts				•	•
	Skyview™ roof with electric shade					Optional
<b>Interior</b>	Front bucket seats	•	•	•		
	Sport front bucket seats				•	•
	60/40 split fold rear seats	•	•	•	•	•
	Power windows (front and rear)	•	•	•	•	•
	Auto-dimming rear view mirror					•
	Premium 3-spoke steering wheel		•	•	•	•
	Premium shift lever		•		•	•
	Leather accented interior					•
	Driver and front passenger seat heaters					•
	Rear and side privacy glass		•	•	•	•
	Driver's seat power adjustable lumbar support					•

MECHANICAL SPECIFICATIONS		Ascent	Ascent Sport	Hybrid	SX	ZR
<b>Instruments and Controls</b>	Multi Information Display (MID)	•	•			
	4.2" colour Multi Information Display (MID)			•	•	•
	Cruise control	•	•	•	•	•
	Smart Entry and Start system			•		•
	Tilt and telescopic steering column adjustment	•	•	•	•	•
	Steering wheel controls for MID, telephone and audio	•	•	•	•	•
	7-speed CVT with paddle shift controls				•	•
	Rear window defogger with automatic cut-off	•	•	•	•	•
	Manual air conditioning	•	•		•	
	Dual-zone automatic climate control air conditioning			•		•
<b>Storage and Convenience</b>	Front and rear cup holders	•	•	•	•	•
	Bottle holders – front and rear	•	•	•	•	•
	Accessory socket (front and rear)	•	•	•	•	•
	Coin box	•	•	•	•	•
	Front and rear door pockets	•	•	•	•	•
	Front seat back pockets	•	•	•	•	•
	Driver and passenger sunvisors with vanity mirrors and lamps	•	•	•	•	•
	Overhead console with sunglass holder	•	•	•	•	•
	Headlight reminder warning buzzer	•	•			•
	Seatbelt warning light and buzzer – front seats	•	•	•	•	•
	Centre console with storage box lid	•	•	•	•	•
<b>Sound System</b>	6.1" touchscreen colour display	•				
	7" touchscreen colour display		•	•	•	•
	Toyota Link <sup>4</sup>		•	•	•	•
	Voice recognition		•	•	•	•
	Bluetooth <sup>®5</sup> hands-free connectivity	•	•	•	•	•
	USB input for compatible iPods <sup>®6</sup> / USB memory sticks	•	•	•	•	•
	AUX 3.5mm audio input for portable audio players	•	•	•	•	•
	Six speakers	•	•	•	•	•
	Satellite navigation <sup>7</sup> with SUNA™ traffic channel <sup>8</sup>		Optional	•	•	•
<b>Safety</b>	Hill-start Assist Control <sup>9</sup>	•	•	•	•	•
	Emergency Brake Signal	•	•	•	•	•
	Toyota Safety Sense <sup>10</sup> (Pre-Collision Safety system <sup>11</sup> , Lane Departure Alert <sup>11</sup> , Automatic High Beam <sup>11</sup> )	Optional	Optional	Optional	Optional	•
	Vehicle Stability Control (VSC) and Traction Control (TRC)	•	•	•	•	•
	Anti-lock Braking System (ABS) with Electronic Brake-force Distribution (EBD) and Brake Assist <sup>11</sup> (BA)	•	•	•	•	•
	Seven SRS airbags	•	•	•	•	•
	Three child restraint anchorage points	•	•	•	•	•
	Reversing camera <sup>9</sup> with fixed guidelines	•	•	•	•	•
<b>Security</b>	Engine immobiliser	•	•	•	•	•
	Anti-theft alarm					•

1 Vehicle weights/mass and dimensions are approximate and subject to individual vehicle variances. Vehicles should be individually weighed and measured before fitting any accessories, towing or designing any compatible trailer/caravan or otherwise using the vehicle in any way that depends on this value.

2 Power and torque test standards differ. Maximum combined engine and hybrid battery system and torque constantly available within a specified speed range (Toyota Australia in-house testing).

3 Achieved in test conditions. Actual fuel consumption may vary depending on driving conditions/style, vehicle condition and options/accessories fitted. Fuel consumption data provided for comparison purposes only. Source: ADR81/02 combined.

4 Toyota Link is available on certain vehicle models and grades only. Toyota Link services rely on data from the driver's compatible mobile phone and information provided by third parties. Availability is

dependent on a number of factors, including the availability of third party information, mobile service, sufficient mobile data allowance and GPS satellite signal reception. Mobile usage is at the user's cost. Toyota Australia reserves the right to add, remove or modify applications. Compatibility with smartphones will vary according to model and operating system. Further information (including smartphone compatibility) is provided at [www.toyota.com.au/toyotalink](http://www.toyota.com.au/toyotalink)

5 The Bluetooth<sup>®</sup> word mark is owned by Bluetooth SIG, Inc. Not all devices are compatible and functionality varies depending on the device.

6 iPod<sup>®</sup> is a trademark of Apple, Inc. Not all devices will be compatible and functionality will vary depending on the device.

7 Current navigation mapping database encompasses major capital and primary national road networks and offers some coverage in regional areas.

8 SUNA™ GPS Traffic Updates are only available in metropolitan Adelaide, Brisbane, Canberra, Gold Coast, Melbourne, Perth and Sydney; it

operates from information provided by Intelematics Australia and may not cover all road incidents and congestion. See [sunatrafic.com.au](http://sunatrafic.com.au) for details.

9 Hill-start Assist Control/Brake Assist/reversing camera is a driver assist feature only and not a substitute for safe driving practices. Driver remains responsible at all times for safe driving.

10 Toyota Safety Sense does not apply to all vehicles and/or grades. Please go to [toyota.com.au](http://toyota.com.au) for vehicle and specification information.

11 Lane Departure Alert (LDA), Automatic High Beam (AHB) and Pre-Collision Safety system (PCS) including Forward Collision Warning (FCW), Brake Assist (BA) and Autonomous Emergency Braking (AEB) are driver assist features only and not a substitute for safe driving practices. Driver remains responsible at all times for safe driving.

**IMPORTANT NOTICE – PLEASE READ:** Toyota Australia uses its best endeavours to ensure material is correct when published. Check with your authorised Toyota dealer when ordering to ensure the vehicle with your chosen specifications, equipment and colour is available and can be delivered within the timeframe suitable to you. When ordering accessories, check with your authorised Toyota dealer to ensure the accessory's design, features and colours are available and fit your vehicle. Ensure the mass of your load does not exceed the maximum allowable individual axle capacity,

Gross Vehicle Mass and/or Gross Combined Mass of the vehicle. Refer to [toyota.com.au](http://toyota.com.au) for further details. Colours displayed are a guide only and may vary from actual colours due to printing/display processes. Certain accessories when fitted will require the removal of standard equipment, which may be retained by Toyota Australia or your Toyota dealer. Toyota Australia reserves the right to change, without notice, prices, colours, materials, equipment, specifications and discontinue colours/models. To the extent permitted by law, Toyota Australia will not be liable for any

damage, loss or expense incurred as a result of reliance on this material in any way. Distributed nationally (other than in Western Australia) by Toyota Motor Corporation Australia Limited ABN 64 009 686 097, 155 Bertie St, Port Melbourne 3207. Material distributed in Western Australia by or on behalf of Prestige Motors Pty Ltd (for vehicles) and by Eastpoint Pty Ltd (for parts/accessories). Toyota Australia makes no warranties regarding (and will not be liable for) accuracy of materials distributed in Western Australia. PROOF HQ: T2017-007712.OCTOBER 2017. GTP1773.