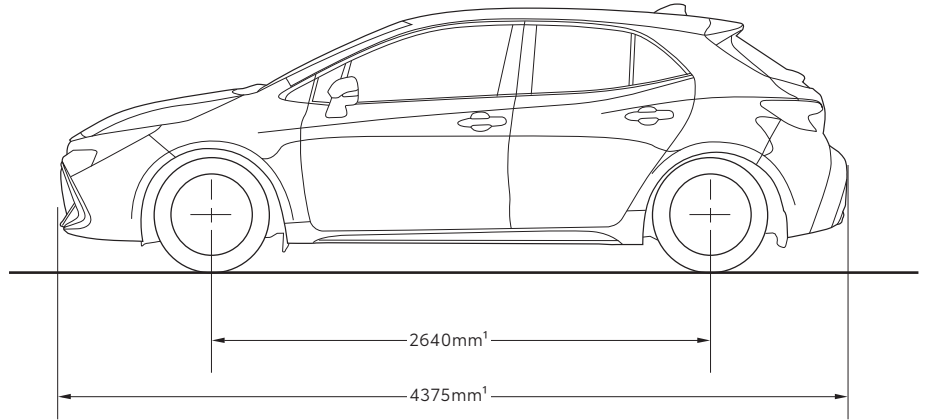
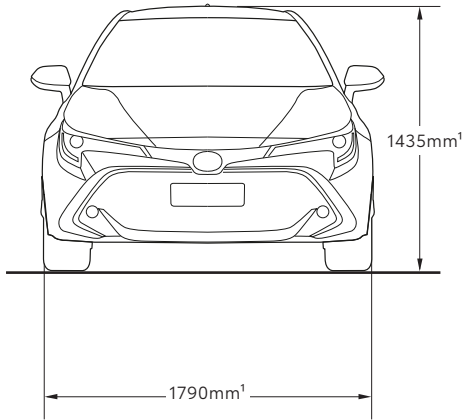


Corolla Hatch



MECHANICAL SPECIFICATIONS		Ascent Sport	Ascent Sport Hybrid	SX	SX Hybrid	ZR	ZR Hybrid
ENGINE	2.0L 4-cylinder Dynamic Force Dual VVT-i petrol engine	•		•		•	
	1.8L 4-cylinder VVT-i engine with Toyota Hybrid system		•		•		•
	Max power (kW)/Max torque (Nm) ²	125kW/200Nm	72kW/142Nm	125kW/200Nm	72kW/142Nm	125kW/200Nm	72kW/142Nm
FUEL	Fuel economy ³	6.0L/100km Auto CVT	4.2L/100km	6.0L/100km	4.2L/100km	6.0L/100km	4.2L/100km
	Recommended fuel octane rating	91	91	91	91	91	91
TRANSMISSION	Direct Shift Continuously Variable Transmission (Auto CVT)	•		•		•	
	Continuously Variable Transmission (Auto CVT)		•		•		•
BRAKES	Front and rear	Front ventilated disc brake and rear solid disc brake					
	Electronic Park Brake	•	•	•	•	•	•
	Parking Support Brake			•	•	•	•
	Regenerative braking system		•		•		•
SUSPENSION	Suspension	Macpherson strut type front suspension and trailing wishbone rear suspension					
WEIGHTS AND CAPACITIES (APPROXIMATE)	Braked towing capacity ⁶ (kg)	1300		1300		1300	
	Unbraked towing capacity ⁴ (kg)	450		450		450	
	Vehicle kerb weight ¹ (kg)	1420	1400	1420	1400	1420	1400
	Gross vehicle weight ¹ (kg)	1845	1820	1845	1820	1845	1820
	Seating capacity	5	5	5	5	5	5
	Luggage capacity (L)	217	217	217	217	217	333
	Fuel tank capacity (L)	50	43	50	43	50	43
WHEELS	Design and size	16" alloy	16" alloy	16" alloy	16" alloy	18" alloy	18" alloy
	Spare wheel/Tyre repair kit	Full size alloy	Temporary	Temporary	Temporary	Temporary	Tyre Repair Kit
EXTERIOR	Triple LED Parabola headlamps	•	•	•	•		
	Bi-Beam LED headlamps					•	•
	LED Daytime Running Lamps	•	•	•	•	•	•
	LED tail lamps	•	•	•	•	•	•
	Front LED fog lamps			•	•	•	•
	Rear LED fog lamp	•	•	•	•	•	•
	Heated door mirrors	•	•	•	•	•	•
	Electronically retractable door mirrors	•	•				
	Auto-electronically retractable door mirrors			•	•	•	•
INTERIOR	Premium steering wheel and gear lever			•	•	•	•
	Front bucket seats	•	•	•	•		
	Sports front bucket seats					•	•
	8-way power adjustable driver's seat					•	•
	Heated driver and passenger front seats					•	•
	Leather accented and Ultrasuede ^{®5} accented interior					•	•
	Driver's seat lumbar support					•	•
	Intelligent ambient illumination					•	•
	Auto-dimming rear view mirror					•	•
	Front and rear auto power operation windows	•	•	•	•	•	•
	Privacy glass (rear and rear side)	Optional	Optional	•	•	•	•
	60/40 split fold rear seats	•	•	•	•	•	•
	Folding rear seat centre armrest	•	•	•	•	•	•

MECHANICAL SPECIFICATIONS		Ascent Sport	Ascent Sport Hybrid	SX	SX Hybrid	ZR	ZR Hybrid
INSTRUMENTS AND CONTROLS	4.2" Multi Information Display	•	•	•	•		
	7" Multi Information Display					•	•
	Head-Up Display					•	•
	Drive mode select	•	•	•	•	•	•
	Paddle shift controls			•		•	
	Smart entry and start system		•	•	•	•	•
	Manual air conditioning	•					
	Dual-zone automatic climate control air conditioning		•	•	•	•	•
	USB charging point			•	•	•	•
STORAGE AND CONVENIENCE	Centre console tray and storage box	•	•	•	•	•	•
	Door pockets – driver and front passenger	•	•	•	•	•	•
	Illuminated glovebox	•	•	•	•	•	•
	Driver and front passenger sunvisors with mirror and light	•	•	•	•	•	•
	4 x cup holders and 4 x bottle holders	•	•	•	•	•	•
MULTIMEDIA	8" colour touchscreen display	•	•	•	•	•	•
	USB ⁶ input	•	•	•	•	•	•
	Satellite navigation ⁷ with SUNA ^{TM/8} traffic channel	Optional	Optional	•	•	•	•
	Digital radio ⁹ (DAB+)	Optional	Optional	•	•	•	•
	Bluetooth ¹⁰ connectivity ⁶	•	•	•	•	•	•
	Voice recognition, Mobile Assistant, Siri ¹¹ Eyes Free and Miracast ¹²	•	•	•	•	•	•
	Apple CarPlay ¹² and Android Auto ^{TM,13}	•	•	•	•	•	•
	Wireless phone charger			•	•	•	•
	6 audio speakers	•	•	•	•		
	8-speaker JBL ^{®5} audio speakers					•	•
Steering wheel controls for Multi Information Display (MID), telephone and audio	•	•	•	•	•	•	
SAFETY¹⁴	Lane Trace Assist	•	•	•	•	•	•
	Lane Departure Alert with steering assist	•	•	•	•	•	•
	Pre-Collision Safety system with pedestrian (day and night) and cyclist (day) detection	•	•	•	•	•	•
	Road Sign Assist (speed signs only)	•	•	•	•	•	•
	Automatic High Beam	•	•	•	•	•	•
	All-speed Active Cruise Control	•	•	•	•	•	•
	Blind Spot Monitor			•	•	•	•
	Rear Cross Traffic Alert			•	•	•	•
	Reversing camera with fixed guidelines	•	•	•	•	•	•
	Anti-lock Braking System with Electronic Brake-force Distribution and Brake Assist	•	•	•	•	•	•
	Vehicle Stability Control and Traction Control	•	•	•	•	•	•
	Hill-start Assist Control	•	•	•	•	•	•
	Active Cornering Assist	•	•	•	•	•	•
	7 SRS airbags – front, front side, full length curtain airbags and driver's knee airbag	•	•	•	•	•	•
	Seatbelt warning	•	•	•	•	•	•
	ISOFIX child restraint anchorage points (rear outboard seats)	•	•	•	•	•	•
Engine immobiliser	•	•	•	•	•	•	

- Weights/mass/volumes/dimensions are approximate and subject to individual vehicle variances, and should be confirmed before fitting any accessories, towing or otherwise relying on this value.
- Power and torque test standards differ. Ensure comparisons use same test standard.
- Achieved in test conditions for comparison purposes only. Actual fuel consumption varies depending on driving conditions/style, vehicle condition, load and options/accessories fitted. Source: ADR81/02 combined (L/100km).
- Towing capacity is subject to regulatory requirements, tow bar and vehicle design and towing equipment limitations. Ask your Dealer for Toyota Genuine tow bar capacity and availability details.
- Save for Toyota trademarks depicted, all other product and company names are trademarks of their respective owners.

IMPORTANT NOTICE - PLEASE READ:

Toyota Australia uses its best endeavours to ensure material is accurate at the time of publishing. All information must be confirmed with your Toyota Dealer at the time of ordering, as specifications, applicability and availability may change over time. Colours depicted are a guide only and may vary from actual colours due to the printing/display process. Toyota Australia reserves the right to change and/or discontinue, without notice, models, prices, colours, materials, equipment, specifications. To the extent

- Compatibility and functionality varies depending on device.
- Coverage varies based on vehicle location.
- Service varies based on vehicle location. See sunattraffic.com.au
- Coverage dependent on vehicle location.
- Bluetooth[®] is a registered trademark of Bluetooth SIG, Inc.
- Siri[®] is a trade mark of Apple, Inc. registered in the U.S. and other countries.
- CarPlay[®] is a trademark of Apple, Inc. registered in the U.S. and other countries.
- Android Auto[™] is a trademark of Google LLC.
- Driver assist feature. Only operates under certain conditions. Check your Owner's Manual for explanation of limitations. Please drive safely.

permitted by law, Toyota Australia will not be liable for any damage or loss incurred from relying on the information and images contained in this material. Distributed nationally (other than in Western Australia) by Toyota Motor Corporation Australia Limited ABN 64 009 686 097. Material distributed in Western Australia by or on behalf of Prestige Motors Pty Ltd (for vehicles) and by Eastpoint Pty Ltd (for parts/accessories). Toyota Australia makes no warranties regarding (and will not be liable for) accuracy of materials distributed in Western Australia. PROOF HQ: T2021-016746. GTP-004613. VERSION: JULY 2021.