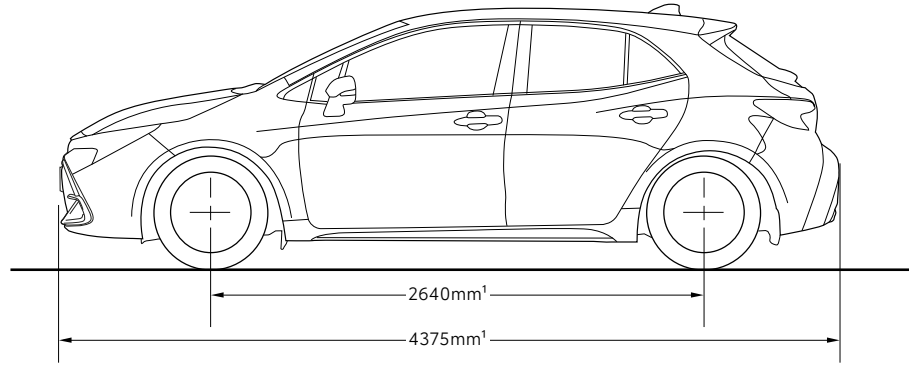
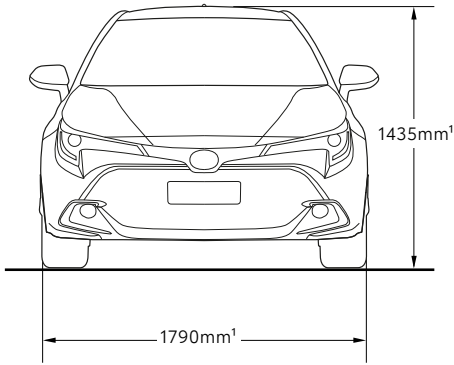


# Corolla Hatch



Please Note: information is accurate as at February 2025.

Specification and imagery are indicative and should only be used as a guide. Vehicle and accessory specification, features, colour and trim may differ at the time of vehicle delivery.



MECHANICAL SPECIFICATIONS			Corolla Hatch
ENGINE	Description		1.8L 4-cylinder VVT-i engine with Toyota Hybrid system
	Engine maximum power <sup>2</sup> (kW @ rpm)		72 @ 6600
	Engine maximum torque (Nm @ rpm)		142 @ 3600
	Hybrid combined power (kW)		103
FUEL	Fuel economy <sup>3</sup> (L/100km)	Combined	4.0
		Extra Urban	4.3
		Urban	3.8
	Recommended fuel octane rating		91
TRANSMISSION	Continuously Variable Transmission (Auto CVT)		•
BRAKES	Front and rear		Front ventilated disc brake and rear solid disc brake
	Electronic Park Brake		•
	Parking Support Brake		SX and ZR only
	Regenerative braking system		•
SUSPENSION	Suspension		Macpherson strut type front suspension and trailing wishbone rear suspension

COROLLA HATCH GRADE		Ascent Sport	SX	ZR
WEIGHTS AND CAPACITIES (APPROXIMATE)	Vehicle kerb weight <sup>1</sup> (kg)	1400	1400	1400
	Gross vehicle weight <sup>1</sup> (kg)	1820	1820	1820
	Seating capacity	5	5	5
	Luggage capacity (L)	217	217	333
	Fuel tank capacity (L)	43	43	43
WHEELS	Design and size	16" alloy	16" alloy	18" alloy
	Spare wheel/Tyre repair kit	Temporary	Temporary	Tyre repair kit
EXTERIOR	Bi-Beam LED headlamps	•	•	High grade
	LED Daytime Running Lamps	•	•	•
	LED tail lamps	•	•	•
	Front LED fog lamps	•	•	•
	Rear LED fog lamp	•	•	•
	Heated door mirrors	•	•	•
	Electronically retractable door mirrors	•	•	•
	Auto-electronically retractable door mirrors	•	•	•
Rain-sensing wipers	•	•	•	

COROLLA HATCH GRADE		Ascent Sport	SX	ZR
INTERIOR	Premium steering wheel and gear lever		•	•
	Front bucket seats	•	•	
	Sports front bucket seats			•
	8-way power adjustable driver's seat			•
	Heated driver and passenger front seats			•
	Leather accented and Ultrasuede® <sup>5</sup> accented interior			•
	Driver's seat lumbar support			•
	Intelligent ambient illumination			•
	Auto-dimming rear view mirror		•	•
	Front and rear auto power operation windows	•	•	•
	Privacy glass – rear and rear side		•	•
	60:40 split fold rear seats	•	•	•
	Folding rear seat centre armrest	•	•	•
INSTRUMENTS AND CONTROLS	Multi Information Display	7" colour	7" colour	12.3" full digital
	Head-Up Display			•
	Drive mode select	•	•	•
	Smart entry and start system	•	•	•
	Dual-zone automatic climate control air conditioning	•	•	•
	USB charging point		•	•
STORAGE AND CONVENIENCE	Centre console tray and storage box	•	•	•
	Door pockets – driver and front passenger	•	•	•
	Illuminated glovebox	•	•	•
	Driver and front passenger sunvisors with mirror and light	•	•	•
	4x cup holders and 4x bottle holders	•	•	•
MULTIMEDIA	8" colour touchscreen display	•	•	•
	USB <sup>6</sup> input	•	•	•
	Satellite navigation <sup>7</sup>		•	•
	Digital radio <sup>7</sup> (DAB+)	•	•	•
	Bluetooth® <sup>8</sup> connectivity <sup>6</sup>	•	•	•
	Voice Assistant	•	•	•
	Wireless Apple CarPlay® <sup>9</sup> and wired Android Auto™, <sup>10</sup>	•	•	•
	Wireless phone charger		•	•
	6 audio speakers	•	•	
	8-speaker JBL® <sup>5</sup> audio speakers			•
	Steering wheel controls for Multi Information Display, telephone and audio	•	•	•

COROLLA HATCH GRADE		Ascent Sport	SX	ZR
SAFETY <sup>11</sup>	Lane Trace Assist	•	•	•
	Lane Departure Alert with steering assist	•	•	•
	Pre-Collision Safety system with pedestrian and daytime cyclist detection	•	•	•
	Road Sign Assist – speed signs only	•	•	•
	Automatic High Beam	•	•	•
	All-speed Active Cruise Control	•	•	•
	Emergency Driving Stop System	•	•	•
	Blind Spot Monitor with Safe Exit Assist	•	•	•
	Rear Cross Traffic Alert	Optional	•	•
	Front and rear parking sensors	Optional	•	•
	Reversing camera with fixed guidelines	•	•	•
	Anti-lock Braking System with Electronic Brake-force Distribution and Brake Assist	•	•	•
	Vehicle Stability Control and Traction Control	•	•	•
	Hill-start Assist Control	•	•	•
	Active Cornering Assist	•	•	•
	7 SRS airbags – front, front side, full length curtain airbags and driver's knee airbag	•	•	•
	Seatbelt warning	•	•	•
	Rear seat occupant reminder	•	•	•
	ISOFIX child restraint anchorage points (rear outboard seats)	•	•	•
Engine immobiliser	•	•	•	
<b>TOYOTA CONNECTED SERVICES<sup>12</sup></b>	Toyota Connected Services <sup>12</sup> – including Safety and Security features, Multimedia Connect, Remote Connect and Driving Insights – accessible via myToyota Connect <sup>13</sup> app	1 year complimentary access		

1 Weights/mass/volumes/dimensions are approximate and subject to individual vehicle variances, and should be confirmed before fitting any accessories, towing or otherwise relying on this value.  
2 Power and torque test standards differ. Ensure comparisons use same test standard.  
3 Results achieved in ADR81/02 laboratory fuel consumption testing and do not reflect the fuel consumption in real world driving. Results were produced using new sample vehicles without fitment of accessories/customisation, and may not be replicable.  
4 Towing capacity subject to regulatory requirements, and vehicle and equipment design limitations. Ask your dealer for more information, including Toyota Genuine Tow Bar capacity and availability.  
5 Save for Toyota trademarks depicted, all other product and company names are trademarks of their respective owners.  
6 Compatibility and functionality varies depending on device.  
7 Coverage varies based on vehicle location.

**IMPORTANT NOTICE – PLEASE READ:**

Toyota Australia uses its best endeavours to ensure material is accurate at the time of publishing. All information must be confirmed with your Toyota Dealer at the time of ordering, as specifications, applicability and availability may change over time. Colours depicted are a guide only and may vary from actual colours due to the printing/display process. Toyota Australia reserves the right to change and/or discontinue, without notice, models, prices, colours, materials, equipment, specifications. To the extent permitted by law, Toyota Australia will not be liable for any damage or loss incurred from relying

8 Bluetooth® is a registered trademark of Bluetooth SIG, Inc.  
9 CarPlay® is a trademark of Apple, Inc. registered in the U.S. and other countries.  
10 Android Auto™ is a trademark of Google LLC.  
11 Driver assist feature. Only operates under certain conditions. Check your Owner's Manual for explanation of limitations. Please drive safely.  
12 Complimentary period ends 1 year from delivery date. Fees apply thereafter. See [toyota.com.au/connected/plans-packages](https://toyota.com.au/connected/plans-packages)  
13 Requires activated DCM (until the earlier of 2033 or Telstra 4G sunset), compatible device, app installation/connection, third party info, mobile data, Australian network reception, GPS signal, enabled push notifications and other factors outside Toyota's control which can limit functionality. Mobile usage at user's cost. Features vary depending on vehicle model and subscription choice, and subject to change. For details see [toyota.com.au/connected/connect-app](https://toyota.com.au/connected/connect-app)

on the information and images contained in this material. Distributed nationally (other than in Western Australia) by Toyota Motor Corporation Australia Limited ABN 64 009 686 097. Material distributed in Western Australia by or on behalf of Prestige Motors Pty Ltd (for vehicles) and by Eastpoint Pty Ltd (for parts/accessories). Toyota Australia makes no warranties regarding (and will not be liable for) accuracy of materials distributed in Western Australia. PROOF HQ: T2025-022078. GTP-008943. VERSION: FEBRUARY 2025.