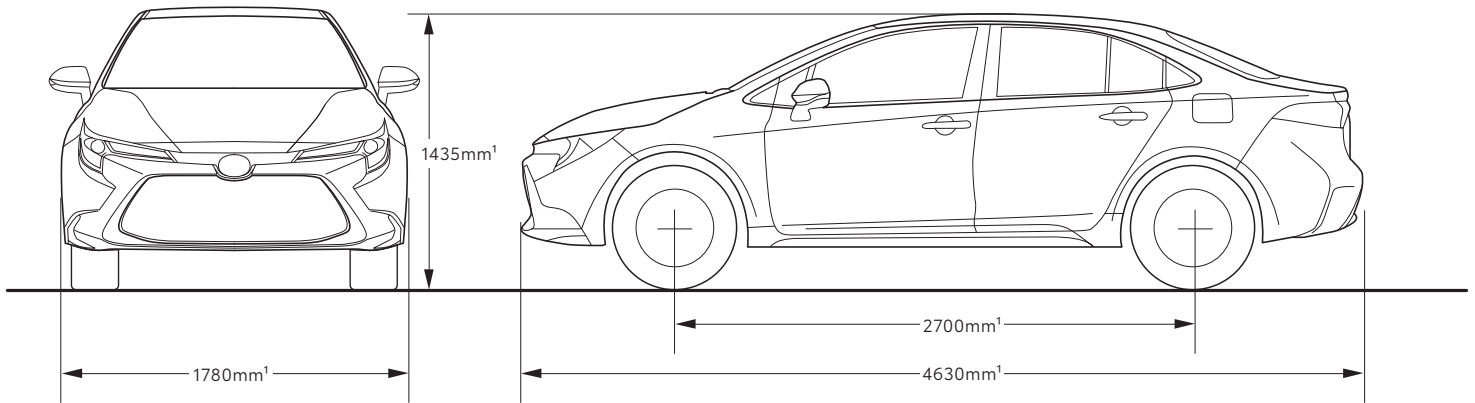


# Corolla Sedan



Please Note: information is accurate as at September 2024.

Specification and imagery are indicative and should only be used as a guide. Vehicle and accessory specification, features, colour and trim may differ at the time of vehicle delivery.



MECHANICAL SPECIFICATIONS			Corolla Sedan
ENGINE	Engine description		1.8L-cylinder VVT-i engine with Toyota Hybrid Electric System
	Max. power (kW@rpm)		72@5200
	Max. torque (Nm@rpm)		142@3600
	Combined max. output (kW)		103
FUEL	Fuel economy <sup>3</sup> (L/100km)	Combined	3.9
		Extra Urban	4.2
		Urban	3.9
	Recommended fuel octane rating		91
TRANSMISSION	Type	Direct Shift Continuously Variable Transmission (Auto CVT)	
BRAKES	Front and rear		Front ventilated disc brake and rear solid disc brake
	Electronic Park Brake		•
	Regenerative braking system		•
SUSPENSION	Type	Macpherson strut type front suspension and trailing wishbone rear suspension	
WEIGHTS AND CAPACITIES (APPROXIMATE)	Braked towing capacity <sup>4</sup> (kg)		N/A
	Unbraked towing capacity <sup>4</sup> (kg)		N/A
	Maximum vehicle kerb weight <sup>1</sup> (kg)		1430
	Gross vehicle weight <sup>1</sup> (kg)		1845
	Seating capacity		5
	Fuel tank capacity <sup>1</sup> (L)		43

COROLLA SEDAN GRADE		Ascent Sport	SX	ZR
EXTERIOR	Bi-Beam LED headlamps – high grade	•	•	•
	LED Daytime Running Lamps	•	•	•
	LED tail lamps	•	•	•
	Rear LED fog lamps	•	•	•
	Side and rear privacy glass		•	•
	Heated door mirrors	•	•	•
	Rain sensing wipers		•	•
WHEELS	Design and size	16" alloy	16" alloy	18" alloy
	Temporary spare wheel	•	•	•
INTERIOR	Premium steering wheel and gear lever		•	•
	Front bucket seats	•	•	
	Sports front bucket seats			•
	8-way power adjustable driver's seat			•
	Heated driver and passenger front seats			•
	Premium interior trim			•
	Driver's seat lumbar support			•
	Intelligent ambient illumination			•
	Auto-dimming rear view mirror – interior		•	•
	Front and rear auto power operation windows	•	•	•
	60:40 split fold rear seats	•	•	•
	Folding rear seat centre armrest	•	•	•

COROLLA SEDAN GRADE		Ascent Sport	SX	ZR
INSTRUMENTS AND CONTROLS	Multi Information Display	7" colour	7" colour	12.3" full digital
	Head-Up Display			•
	Drive mode select	•	•	•
	Smart entry and start system	•	•	•
	Single-zone automatic climate control air conditioning	•	•	•
	USB charging point	•	•	•
STORAGE AND CONVENIENCE	Centre console storage box and rear tray	•	•	•
	Door pockets – driver and front passenger	•	•	•
	Illuminated glovebox	•	•	•
	Driver and front passenger sunvisors with mirror and light	•	•	•
	4 x cup holders and 4 x bottle holders	•	•	•
MULTIMEDIA	8" colour touchscreen display	•	•	•
	Satellite navigation <sup>5</sup>	•	•	•
	Digital radio <sup>5</sup> (DAB+)	•	•	•
	USB <sup>6</sup> input	•	•	•
	Bluetooth <sup>7</sup> connectivity	•	•	•
	Voice Assistant	•	•	•
	Apple CarPlay <sup>7</sup> (wireless) and Android Auto <sup>TM,7</sup>	•	•	•
	Wireless phone charger		•	•
	6 audio speakers	•	•	
	9-speaker JBL <sup>8</sup> premium audio system			•
Steering wheel controls for Multi Information Display (MID), telephone and audio	•	•	•	
SAFETY <sup>9</sup>	Lane Trace Assist	•	•	•
	Lane Departure Alert with steering assist	•	•	•
	Pre-Collision Safety system with pedestrian and daytime cyclist detection	•	•	•
	Road Sign Assist (speed signs only)	•	•	•
	Automatic High Beam	•	•	•
	All-speed Active Cruise Control	•	•	•
	Blind Spot Monitor with Safe Exit Assist	Optional	•	•
	Rear Cross Traffic Alert	Optional	•	•
	Reversing camera	•	•	•
	Brake Assist	•	•	•
	Vehicle Stability Control and Traction Control	•	•	•
	Hill-start Assist Control	•	•	•
	Active Cornering Assist	•	•	•
	Emergency Driving Stop System (EDSS)	•	•	•
	7 SRS airbags – front, front side, full length curtain airbags and driver's knee airbag	•	•	•
	Seatbelt warning	•	•	•
	ISOFIX child restraint anchorage points (rear outboard seats)	•	•	•
Engine immobiliser	•	•	•	
TOYOTA CONNECTED SERVICES <sup>10</sup>	Toyota Connected Services <sup>10</sup> – including Safety and Security features, Multimedia Connect, Driving Insights and Remote Connect – accessible via myToyota Connect app	12 months complimentary access		

- Weights/mass/volumes/dimensions are approximate and subject to individual vehicle variances, and should be confirmed before fitting any accessories, towing or otherwise relying on this value.
- Power and torque test standards differ. Ensure comparisons use same test standard.
- Results achieved in ADR81/02 fuel consumption testing. Results produced in laboratory test conditions, using sample vehicles without fitment of accessories/customisation, and do not reflect real world driving. Figures should only be used for comparative purposes.
- Towing capacity is subject to regulatory requirements, tow bar and vehicle design and towing equipment limitations. Ask your Dealer for Toyota Genuine tow bar capacity and availability details.
- Coverage dependent on vehicle location.
- Compatibility and functionality varies depending on device.

- Bluetooth<sup>®</sup> is a registered trademark of Bluetooth SIG, Inc. CarPlay<sup>®</sup> is a trademark of Apple, Inc registered in the U.S. and other countries. Android Auto<sup>™</sup> is a trademark of Google LLC.
- Product and company names are trademarks of their respective owners.
- Driver assist feature. Only operates under certain conditions. Check your Owner's Manual for explanation of limitations. Please drive safely.
- Connected Services complimentary period ends 1 year from delivery date. Fees and charges may apply thereafter. Not available outside Australia or if services disabled or terminated. Dependent on 3G/4G enabled DCM, GPS signal strength, mobile network coverage and other factors outside Toyota's control which can limit ability or functionality of system. Check your Owner's Manual for explanation of limitations. Please drive safely.

#### IMPORTANT NOTICE – PLEASE READ:

Toyota Australia uses its best endeavours to ensure material is accurate at the time of publishing. All information must be confirmed with your Toyota Dealer at the time of ordering, as specifications, applicability and availability may change over time. Colours depicted are a guide only and may vary from actual colours due to the printing/display process. Toyota Australia reserves the right to change and/or discontinue, without notice, models, prices, colours, materials, equipment, specifications. To the extent permitted by law, Toyota Australia will not be liable for any damage or loss incurred from relying on the information

and images contained in this material. Distributed nationally (other than in Western Australia) by Toyota Motor Corporation Australia Limited ABN 64 009 686 097. Material distributed in Western Australia by or on behalf of Prestige Motors Pty Ltd (for vehicles) and by Eastpoint Pty Ltd (for parts/accessories). Toyota Australia makes no warranties regarding (and will not be liable for) accuracy of materials distributed in Western Australia. PROOF HQ: T2024-021070. GTP-008184. VERSION: SEPTEMBER 2024.