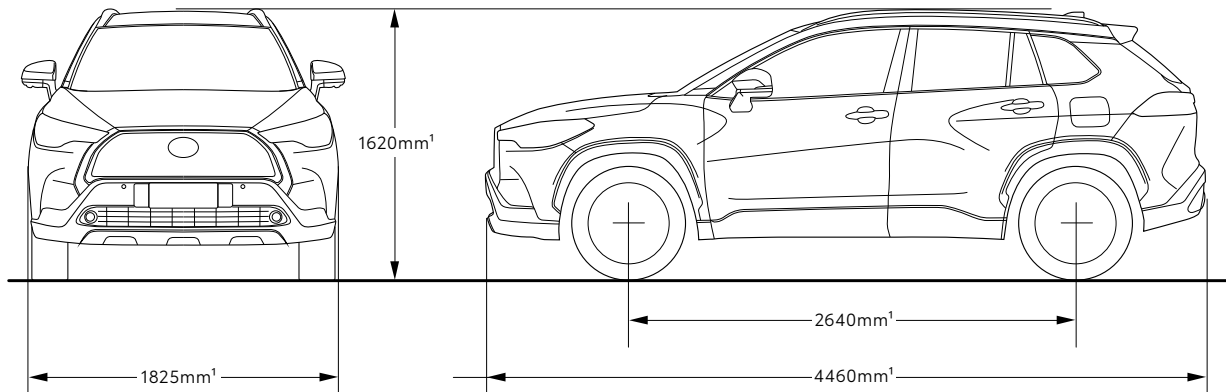


Corolla Cross



Please Note: information is accurate as at September 2023.

Specification and imagery are indicative and should only be used as a guide. Vehicle and accessory specification, features, colour and trim may differ at the time of vehicle delivery.



COROLLA CROSS MODEL		2.0L Petrol			2.0L Hybrid		
		GX	GXL	Atmos	GX	GXL	Atmos
ENGINE	Engine description	2.0L 4-cylinder Dynamic Force Dual VVT-i petrol engine			2.0L 4-cylinder VVT-i engine with Toyota Hybrid system		
	Engine model code	M20A-FKS			M20A-FXS		
	Valve mechanism	16-valve DOHC, chain drive			16-valve DOHC, chain drive		
	Bore x stroke (mm)	80.5 x 97.6			80.5 x 97.6		
	Displacement (cm ³)	1987			1987		
	Compression ratio	13.0:1			14.0:1		
	Maximum power (kW@rpm)	126 kW @ 6600 rpm			146 kW @ 6600 rpm		
	Maximum torque (Nm@rpm)	202 Nm @ 4400 – 4900 rpm			190 Nm @ 4400 – 5200 rpm		
FUEL	Fuel type	Petrol			Petrol		
	Fuel system	Fuel injection			Fuel injection		
	Recommended octane rating	91			91		
	Fuel consumption ² (L/100km)	Combined	6.0			2WD 4.3; AWD 4.4	
Extra Urban		5.1			2WD 4.5; AWD 4.6		
Urban		7.4			2WD 4.1; AWD 4.3		
BRAKES	Brake type – front and rear	Front ventilated disc brake and rear solid disc brake			Front ventilated disc brake and rear solid disc brake		
	Park brake	Electronic Park Brake with brake hold			Electronic Park Brake with brake hold		
	Hydraulic and regenerative braking systems				•		
STEERING	Steering gear type	Electric / Rack & pinion			Electric / Rack & pinion		
	Steering type	Electronic Power Steering (EPS)			Electronic Power Steering (EPS)		
	Kerb to kerb	5.2			5.2		
SUSPENSION	Suspension	Torsion beam			Torsion beam 2WD / Trailing arm AWD		
TRANSMISSION	2WD	•	•	•	•	•	•
	AWD					•	•
	Type	Continuously Variable Transmission (Auto CVT)			Continuously Variable Transmission (Auto CVT)		
	Final drive gear ratio	4.014			3.605		
WEIGHTS AND CAPACITIES¹ (APPROXIMATE)	Seating capacity (persons)	5			5		
	Cargo space (L)	436	436	425	425	2WD = 425 AWD = 390	2WD = 414 AWD = 380
	Gross vehicle weight (kg)	1875	1875	1875	1930	2WD = 1930 AWD = 2005	2WD = 1930 AWD = 2005
	Maximum kerb weight (kg)	1380	1420	1430	1435	2WD = 1475 AWD = 1545	2WD = 1480 AWD = 1550
	Towing capacity ³ with braking (kg)	750			750		
	Towing capacity ³ without braking (kg)	725	725	735	750		
	Fuel tank capacity	47			36	2WD = 36; AWD = 43	
WHEELS	Design and size	17" alloy	17" alloy	18" alloy	17" alloy	17" alloy	18" alloy
	17" temporary spare wheel	•	•	•	•	2WD only	2WD only
	Tyre repair kit					AWD only	AWD only
PERFORMANCE	Maximum speed	198			180		
	Acceleration 0 to 100km/sec	9.0	9.1	9.2	7.5	7.6	2WD = 7.7 AWD = 7.6
	Minimum turning radius (m)	Tyre = 5.2; Body = 5.6			Tyre = 5.2; Body = 5.6		

COROLLA CROSS MODEL		2.0L Petrol			2.0L Hybrid		
		GX	GXL	Atmos	GX	GXL	Atmos
COMFORT AND CONVENIENCE	Automatic air conditioning	Single zone	Dual zone	Dual zone	Single zone	Dual zone	Dual zone
	nanoe™,4X air conditioning technology			•			•
	Electric park brake	•	•	•	•	•	•
	Automatic rain sensing wipers			•			•
	Rear arm rest			•			•
	8-way power adjustable driver seat			•			•
	Heated front seats			•			•
	Heated steering wheel			•			•
	Centre console box with armrest	•	•	•	•	•	•
EXTERIOR	Daytime Running Lamps (DRLs)	•	•	•	•	•	•
	Heated exterior mirrors	•	•	•	•	•	•
	LED headlamps	•	High grade	High grade	•	High grade	High grade
	Shark fin antenna	•	•	•	•	•	•
	Front fog lamps		•	•		•	•
	Rear privacy glass		•	•		•	•
	Roof rails		•	•		•	•
	Sequential turn signals		•	•		•	•
INSTRUMENTS AND CONTROLS	Advanced Park Assist						•
	Multi Information Display (MID)	7" colour	7" colour	12" full digital	7" colour	7" colour	12" full digital
	Auto retractable side door mirrors	•	•	•	•	•	•
	Power back door with kick sensor			•			•
	Steering wheel with audio, phone, MID and Toyota Safety Sense controls	•	•	•	•	•	•
	Front 12V socket	•	•	•	•	•	•
	Smart entry and smart start	•	•	•	•	•	•
	USB connection	•	•	•	•	•	•
	USB in centre console storage	Type-C			Type-C		
	USB rear centre console		Type-C (2x)	Type-C (2x)		Type-C (2x)	Type-C (2x)
	Wireless phone charger			•			•
	Voice Assistant	•	•	•	•	•	•
	Drive mode select (Normal, Eco and Power)				•	•	•
	Drive mode select (Normal and Power)		•	•			
One touch power windows	•	•	•	•	•	•	
INTERIOR	Glove box	•	•	•	•	•	•
	Centre tray	•	•	•	•	•	•
	Cup holders (front)	2	2	2	2	2	2
	Cup holders (rear)	2	2	4	2	2	4
	Interior trim	Fabric	Leather accented	Premium and leather accented	Fabric	Leather accented	Premium and leather accented
	Steering wheel	Urethane	Leather accented	Leather accented	Urethane	Leather accented	Leather accented
	Shift knob	PVC	Leather accented	Leather accented	PVC	Leather accented	Leather accented
	Retractable luggage cover	•	•	•	•	•	•
	60:40 folding rear seats	•	•	•	•	•	•
	Electrochromatic rear view interior mirror		•	•		•	•
	Illuminated entry system			•			•
	Panoramic moonroof			•			•
MULTIMEDIA	6 speakers	•	•		•	•	
	9-speaker JBL®4 premium audio system			•			•
	8" colour touchscreen display	•			•		
	10.5" multimedia system with satellite navigation		•	•		•	•
	Digital Audio Broadcast (DAB)	•	•	•	•	•	•
	Android Auto™,5 and Wireless Apple CarPlay®5	•	•	•	•	•	•

COROLLA CROSS MODEL		2.0L Petrol			2.0L Hybrid		
		GX	GXL	Atmos	GX	GXL	Atmos
SAFETY AND SECURITY	8 SRS airbags	•	•	•	•	•	•
	Toyota Safety Sense ⁶ – including All-speed Active Cruise Control with curve speed reduction, Lane Departure Alert with steering assist, Lane Change Assist, Pre-Collision Safety system with pedestrian and daytime cyclist detection, Intersection Turn Assistance, Emergency Steering Assist, Road Sign Assist (speed signs only), Automatic High Beam and Emergency Driving Stop System (EDSS)	•	•	•	•	•	•
	Blind Spot Monitor with Safe Exit Assist	•	•	•	•	•	•
	Rear Cross Traffic Alert	•	•	•	•	•	•
	Immobiliser and alarm	•	•	•	•	•	•
	Reversing camera	•	•	•	•	•	•
	Panoramic View Monitor		•	•		•	With see-through moving view
	Parking Support Brake (PKSB) – 4:4 front:rear (objects and vehicles)		Objects and vehicles detection	Objects, vehicles and pedestrian detection		Objects and vehicles detection	Objects, vehicles and pedestrian detection
	Anti-lock Braking System with Electronic Brakeforce Distribution and Brake Assist	•	•	•	•	•	•
	Vehicle Stability Control and Traction Control	•	•	•	•	•	•
	Hill-start Assist Control	•	•	•	•	•	•
	Rear seat occupant reminder	•	•	•	•	•	•
	Seatbelt reminder (all seats)	•	•	•	•	•	•
	ISOFIX child restraint anchorage points (rear outboard seats)	•	•	•	•	•	•
TOYOTA CONNECTED SERVICES	Toyota Connected Services ⁷ – including Safety and Security features, Multimedia Connect, Driving Insights and Remote Connect – accessible via myToyota Connect app	12 months complimentary access					

- Weights/mass/volumes/dimensions are approximate and subject to individual vehicle variances, and should be confirmed before fitting any accessories, towing or otherwise relying on this value.
- Results achieved in ADR81/02 fuel consumption testing. Results produced in laboratory test conditions, using sample vehicles without fitment of accessories/customisation, and do not reflect real world driving. Figures should only be used for comparative purposes.
- Towing capacity subject to regulatory requirements, tow bar and vehicle design and towing equipment limitations. Ask your Dealer for Toyota Genuine tow bar capacity and availability details.
- Product and company names are trademarks of their respective owners.

IMPORTANT NOTICE – PLEASE READ:

Toyota Australia uses its best endeavours to ensure material is accurate at the time of publishing. All information must be confirmed with your Toyota Dealer at the time of ordering, as specifications, applicability and availability may change over time. Colours depicted are a guide only and may vary from actual colours due to the printing/display process. Toyota Australia reserves the right to change and/or discontinue, without notice, models, prices, colours, materials, equipment, specifications. To the extent permitted by law, Toyota Australia will not be liable for any damage or loss incurred

- CarPlay® is a trademark of Apple, Inc. registered in the U.S. and other countries. Android Auto™ is a trademark of Google LLC.
- Driver assist feature. Only operates under certain conditions. Check your Owner's Manual for explanation of limitations. Please drive safely.
- Connected Services complimentary period ends 1 year from delivery date. Fees and charges may apply thereafter. Not available outside Australia or if services disabled or terminated. Dependent on 3G/4G enabled DCM, GPS signal strength, mobile network coverage and other factors outside Toyota's control which can limit ability or functionality of system. Check your Owner's Manual for explanation of limitations. Please drive safely.

from relying on the information and images contained in this material. Distributed nationally (other than in Western Australia) by Toyota Motor Corporation Australia Limited ABN 64 009 686 097. Material distributed in Western Australia by or on behalf of Prestige Motors Pty Ltd (for vehicles) and by Eastpoint Pty Ltd (for parts/accessories). Toyota Australia makes no warranties regarding (and will not be liable for) accuracy of materials distributed in Western Australia. **PROOF HQ: T2022-019210. GTP-007644. VERSION: SEPTEMBER 2023.**