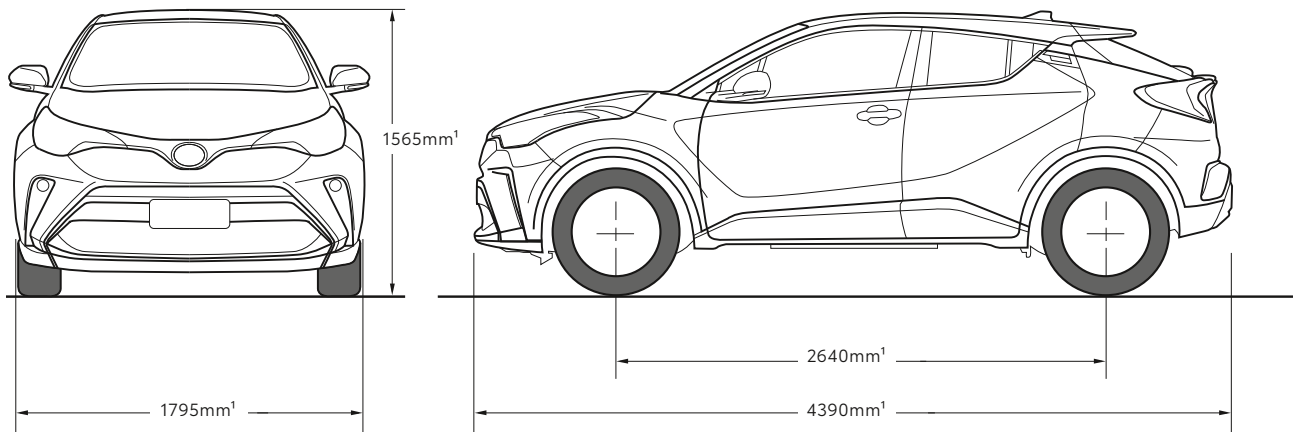


C-HR



MECHANICAL SPECIFICATIONS		PETROL	HYBRID
ENGINE	Engine code	8NR-FTS	2ZR-FXE
	Engine description	1.2 litre 4-cylinder turbo petrol engine	1.8 litre 4-cylinder hybrid engine
	Displacement (cm ³)	1197	1798
	Max power (kW@rpm)	85kW @ 5,200-5,600	90kW (combined)
	Max torque (Nm@rpm)	185Nm @ 1,500-4,000	
	Valve train	16-valve DOHC with VVT-i	16-valve DOHC with VVT-i (intake)
	Bore x stroke (mm)	71.5 x 74.5	80.5 x 88.3
	Compression ratio	10.0 : 1	13.0 : 1
FUEL	Fuel economy ²	6.4L/100km (2WD) 6.5L/100km (AWD)	4.3L/100km
	Recommended fuel octane rating	95 or more	91 or more
STEERING	Steering system	Tilt and telescopic steering wheel	
	Steering operation	Electronic Power Steering (EPS)	
	Turning circle (curb to curb)	10.4m	
BRAKES	Brake control system	Anti-lock Braking System (ABS) with Electronic Brake-force Distribution (EBD) and Brake Assist (BA)	
SUSPENSION	Front	MacPherson Strut type	
	Rear	Trailing arm double wishbone type	

C-HR MODEL		C-HR	Koba
TRANSMISSION	Driveline	2WD Petrol, AWD Petrol	2WD Petrol, AWD Petrol, 2WD Hybrid
	7-speed auto CVT	•	•
CAPACITIES	Seating capacity	5	5
	Cargo space	318L	318L
	Braked towing capacity ³ (auto CVT)	600kg	600kg Petrol / 0kg Hybrid
EXTERIOR	Alloy wheels	17"	18"
	Temporary spare wheel	•	•
	Privacy glass (rear-side and rear)		•
	LED fog lamps	•	•
	LED headlamps	•	•
	LED Daytime Running Lamps (DRLs)	•	•
	Heated and electronically retractable side mirrors	•	•
Rain sensing wipers	•	•	

C-HR MODEL		C-HR	Koba
INTERIOR	Premium gear knob and steering wheel	•	•
	Electronic Park Brake	•	•
	One touch power windows	•	•
	Auto-dimming rear view mirror	•	•
	Illuminated door trim		•
	Sporty fabric front seats	•	
	Leather accented seats		•
	Heated front seats		•
	Power lumbar adjustment on driver's seat		•
	60/40 split fold rear seats	•	•
INSTRUMENTS AND CONTROLS	4.2" Multi Information Display (MID)	•	•
	Smart entry and start system		•
	Steering wheel with audio, phone, MID and Toyota Safety Sense controls	•	•
	Dual-zone automatic air conditioning	•	•
	Nanoe ^{®4} Air Conditioning Technology		•
STORAGE AND CONVENIENCE	Front cup holders	•	•
	Front and rear bottle holders	•	•
	Glove box	•	•
	Lower tray	•	•
	Centre console box	•	•
	Front seat back pockets		•
	Front sunvisors with illuminated vanity mirrors		•
MULTIMEDIA	8" colour touchscreen display	•	•
	myToyota app	•	•
	6 audio speakers	•	•
	Apple CarPlay ^{®5} and Android Auto ^{™,5}	•	•
	Bluetooth ^{®6} connectivity	•	•
	USB ⁷ input	•	•
	Voice recognition	•	•
	Satellite navigation with SUNA ^{™,4} Traffic Channel	•	•
SAFETY	Toyota Safety Sense ^{®8} with Lane Departure Alert, Automatic High Beam, All-Speed Active Cruise Control and Pre-Collision Safety system with pedestrian detection	•	•
	Forward Collision Warning, Brake Assist and Autonomous Emergency Braking	•	•
	Front and rear parking sensors	•	•
	Blind Spot Monitor and Rear Cross Traffic Alert	•	•
	Reversing camera	•	•
	Panoramic view monitor		•
	Vehicle Stability Control with Hill-start Assist Control and Traction Control	•	•
	Brake Hold Function	•	•
	Trailer Sway Control	•	•
	7 SRS airbags	•	•
	Three child restraint anchorage points	•	•
SECURITY	Engine immobiliser	•	•

1 Weights/mass/volumes/dimensions are approximate and subject to individual vehicle variances, and should be confirmed before fitting any accessories, towing or otherwise relying on this value.

2 Achieved in test conditions for comparison purposes only. Actual fuel consumption varies depending on driving conditions/style, vehicle condition, load and options/accessories fitted. Source: ADR81/02 (L/100km).

3 Towing capacity subject to regulatory requirements, tow bar and vehicle design and towing equipment limitations. Ask your Dealer for Toyota Genuine tow bar capacity and availability details.

4 Product and company names are trademarks of their respective owners.

5 CarPlay[®] is a trademark of Apple, Inc. registered in the U.S. and other countries. Android Auto[™] is a trademark of Google LLC.

6 Bluetooth[®] is a registered trademark of Bluetooth SIG, Inc.

7 Compatibility and functionality varies depending on device.

8 Driver assist features. Only operates under certain conditions. Check your Owner's Manual for explanation of limitations. Please drive safely.

IMPORTANT NOTICE – PLEASE READ: Toyota Australia uses its best endeavours to ensure material is accurate at the time of publishing. All information must be confirmed with your Toyota Dealer at the time of ordering, as specifications, applicability and availability may change over time. Colours depicted are a guide only and may vary from actual colours due to the printing/display process. Toyota Australia reserves the right to change and/or discontinue, without notice, models, prices, colours, materials, equipment, specifications. To the extent permitted by law, Toyota Australia will

not be liable for any damage or loss incurred from relying on the information and images contained in this material. Distributed nationally (other than in Western Australia) by Toyota Motor Corporation Australia Limited ABN 64 009 686 097. Material distributed in Western Australia by or on behalf of Prestige Motors Pty Ltd (for vehicles) and by Eastpoint Pty Ltd (for parts/accessories). Toyota Australia makes no warranties regarding (and will not be liable for) accuracy of materials distributed in Western Australia. PROOF HQ: T2020-014021. GTP-002126. VERSION: FEBRUARY 2020.