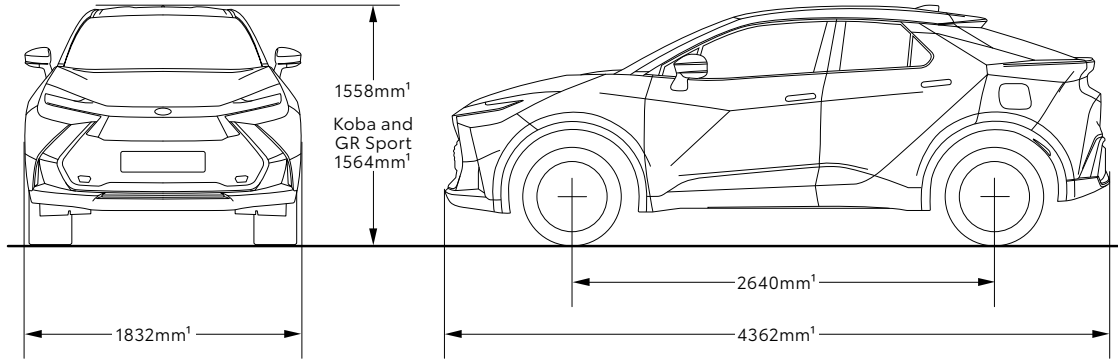


C-HR



Please Note: information is accurate as at March 2026.

Weights/mass/volumes/dimensions are approximate and subject to individual vehicle variances, and should be confirmed before fitting any accessories, towing or otherwise relying on this value.



MECHANICAL SPECIFICATIONS			GXL	Koba	GR Sport
ENGINE	Engine code		2ZR-FXE		M20A-FXS
	Powertrain description		1.8L 4-cylinder Hybrid		2.0L 4-cylinder Hybrid
	Displacement (cm ³)		1798		1987
	Max power ² (kW@rpm) engine and hybrid system combined		103		148
	Max torque ² (Nm@rpm) engine		142		188
FUEL	Fuel economy ³ (L/100km)	Combined	4.0	4.1	
		Extra Urban	4.2	4.7	
		Urban	3.8	3.7	
	Recommended fuel octane rating		91	91	
STEERING	Steering system		Tilt and telescopic steering wheel		
	Steering operation		Electronic Power Steering		
	Minimum turning radius (m) – body		5.8		
BRAKES	Brake control system ⁴		Anti-lock Braking System with Electronic Brake-force Distribution and Brake Assist		
	GR Sport brakes		GR Sport only		
SUSPENSION	Front		MacPherson Strut type		
	Rear		Double wishbone type		
TRANSMISSION	Driveline		GXL/Koba = 2WD – Hybrid Electric GR Sport = All Wheel Drive – Hybrid Electric		
	7-speed auto CVT		•		

C-HR GRADE		GXL	Koba	GR Sport
CAPACITIES	Seating capacity	5	5	5
	Cargo space	388L	388L	362L
	Braked towing capacity ⁵	725kg	725kg	725kg
EXTERIOR	Alloy wheels	17"	19"	19"
	Unique GR Sport design 19" alloy wheels			•
	Temporary spare wheel	•		
	Tyre repair kit		•	•
	Privacy glass – rear-side and rear	•	•	•
	Premium front grille		•	•
	LED fog lamps		•	•

C-HR GRADE		GXL	Koba	GR Sport
EXTERIOR CONTINUED	LED headlamps with Manual Levelling	•		
	Bi-LED headlamps with Auto Levelling		•	•
	LED Daytime Running Lamps	•	•	•
	LED rear combination lamps	•	•	•
	Heated and electronically retractable side mirrors	•	•	•
	Two-tone ⁶ and Two-tone Plus ⁶ paint		Optional	Optional
	Panoramic roof – fixed ⁶		Optional	Optional
	Rain sensing wipers	•	•	•
	GR Sport badging			•
INTERIOR	Premium gear knob and steering wheel	•	•	•
	Electronic park brake	•	•	•
	One touch power windows	•	•	•
	Electrochromatic rear view interior mirror	•	•	•
	Digital rear view mirror		•	•
	Illuminated door trim		•	•
	Sporty fabric front seats	•		
	Premium sport suede and fabric seats		•	
	GR Sport suede and leather accented seats			•
	Heated front seats		•	•
	Power adjustment on driver's seat		•	•
	60/40 split fold rear seats	•	•	•
	GR Sport shift lever and steering wheel			•
INSTRUMENTS AND CONTROLS	7" Multi Information Display	•		
	12.3" Multi Information Display		•	•
	Smart entry and start system	•	•	•
	Head-Up Display		•	•
	Wireless phone charger ⁷		•	•
	Auto dual-zone automatic air conditioning	•	•	•
	nanoe™ ⁸ X air conditioning technology		•	•
STORAGE AND CONVENIENCE	Front cup holders	•	•	•
	Front and rear bottle holders	•	•	•
	Glove box	•	•	•
	Centre console box	•	•	•
	Passenger seat back pocket		•	•
	Front sunvisors with illuminated vanity mirrors	•	•	•
MULTIMEDIA	12.3" colour touchscreen display	•	•	•
	6x speakers	•		
	9-speaker JBL® ⁸ premium audio system		•	•
	Wireless Apple CarPlay ⁹ and Android Auto™, ⁹ – speak to your Dealer about device compatibility	•	•	•
	Bluetooth® ¹⁰ connectivity – compatibility and functionality varies depending on device	•	•	•
	USB input	•	•	•

C-HR GRADE		GXL	Koba	GR Sport
SAFETY AND SECURITY	Toyota Safety Sense ⁴ – including All-speed Active Cruise Control with curve speed reduction, Lane Departure Alert with steering assist, Lane Change Assist, Pre-Collision Safety system with pedestrian and daytime cyclist detection, Intersection Turn Assistance, Emergency Steering Assist, Road Sign Assist (speed signs only), Automatic High Beam and Emergency Driving Stop System	•	•	•
	10x SRS airbags ⁴	•	•	•
	Blind Spot Monitor with Safe Exit Assist ⁴	•	•	•
	Rear Cross Traffic Alert ⁴	•	•	•
	Acoustic Vehicle Alerting System ⁴	•	•	•
	Immobiliser and alarm ⁴	•	•	•
	Panoramic View Monitor ⁴	•	•	•
	Parking Support Brake ⁴	•	•	•
	Intelligent Park Assist ⁴	•	•	•
	Driver Monitor Camera ⁴	•	•	•
	Anti-lock Braking System with Electronic Brakeforce Distribution and Brake Assist ⁴	•	•	•
	Vehicle Stability Control and Traction Control ⁴	•	•	•
	Hill-start Assist Control ⁴	•	•	•
	Rear seat occupant reminder ⁴	•	•	•
	Seatbelt reminder ⁴ – all seats	•	•	•
ISOFIX child restraint anchorage points ⁴ – rear outboard seats	•	•	•	
TOYOTA CONNECTED SERVICES ^{11,12,13}	Toyota Essentials Emergency	Complimentary until Telstra 4G sunset or termination of services in accordance with our T&Cs		
	Toyota Essentials	Complimentary until Telstra 4G sunset or termination of services in accordance with our T&Cs		
	Toyota Connect+	1 year complimentary access – Fees apply thereafter. Subject to Telstra 4G sunset or termination of services in accordance with our T&Cs		
	Toyota Connected Multimedia	1 year complimentary access – Fees apply thereafter. Subject to Telstra 4G sunset or termination of services in accordance with our T&Cs		

1 Weights/mass/volumes/dimensions are approximate and subject to individual vehicle variances, and should be confirmed before fitting any accessories, towing or otherwise relying on this value.

2 Power and torque test standards differ. Ensure comparisons use same test standard.

3 **GXL:** Results were achieved under laboratory conditions and do not reflect the fuel consumption in real world driving. Results for C-HR GXL Automatic Hybrid Electric in ADR81/02 combined drive cycle fuel consumption testing. Urban cycle results achieved 3.8L/100km and extra urban cycle achieved 4.2L/100km. Results produced in laboratory test conditions, using new sample vehicles without fitment of accessories/customisation, and may not be replicable.

Koba: Results were achieved under laboratory conditions and do not reflect the fuel consumption in real world driving. Results for C-HR Koba Automatic Hybrid Electric in ADR81/02 combined drive cycle fuel consumption testing. Urban cycle results achieved 3.8L/100km and extra urban cycle achieved 4.2L/100km. Results produced in laboratory test conditions, using new sample vehicles without fitment of accessories/customisation, and may not be replicable.

GR Sport: Results were achieved under laboratory conditions and do not reflect the fuel consumption in real world driving. Results for C-HR GR Sport Automatic Hybrid Electric in ADR81/02 combined drive cycle fuel consumption testing. Urban cycle results achieved 3.7L/100km and extra urban cycle achieved 4.7L/100km. Results produced in laboratory test conditions, using new sample vehicles without fitment of accessories/customisation, and may not be replicable.

4 Driver assist feature. Only operates under certain conditions. Check your Owner's Manual for explanation of limitations. Please drive safely.

5 Maximum vehicle braked towing capacity is subject to state and federal regulatory requirements. Before towing, customers should consider the vehicle's limitations, including towing capacity specifications, gross vehicle mass (GVM), gross combined mass (GCM), kerb weight specified by the manufacturer, and ensure that individual front and rear axle load limits are not exceeded as also specified by the manufacturer. Vehicle payload calculation is GVM less kerb weight or as otherwise specified in the vehicle owner's manual. Actual payload is affected by any added load to the vehicle, including the number of occupants, luggage, accessories, and tow ball download weight. It is important to consider the actual payload, to ensure the fully loaded vehicle remains within the specified GVM limits. For more details, please refer to the vehicle's Owner's Manual/**Toyota Basic Towing Guide** or consult your authorised dealer. Toyota recommends use of a Load Distribution Hitch (LDH) when towing loads greater than half of the vehicle's GVM or as specified in the Owner's Manual. Based on road conditions, a LDH may not be suitable. Refer to **Toyota Basic Towing Guide**. Toyota Genuine LDH sold separately at additional cost. Warranty conditions apply. Refer to **Toyota Warranty Advantage Guide**.

6 Optional extra at additional cost.

7 Only Qi-supported devices compatible. Refer to device manufacturer. May require additional purchase of accessory to support wireless charging.

8 Product and company names are trademarks of their respective owners.

9 CarPlay® is a trademark of Apple, Inc. registered in the U.S. and other countries. Android Auto™ is a trademark of Google LLC.

10 Bluetooth® is a registered trademark of Bluetooth SIG, Inc.

11 See toyota.com.au/connected/terms-conditions for T&Cs.

12 Complimentary periods commence upon delivery date. Fees may apply there after. Not available outside Australia, if services disabled or terminated or after Telstra 4G sunset. Dependent on enabled DCM, GPS signal strength, mobile network coverage, mobile app data (at user's cost), enabled push notifications and other factors outside Toyota's control which can limit ability or functionality of system. Check your Owner's Manual or toyota.com.au/services/connected for explanation of limitations. Please drive safely.

13 The myToyota Connect App supports vehicles with a Build date from 2009 onwards, with or without Toyota Connected Services. Requires compatible device and app installation, mobile data (at user's cost), Australian network reception, GPS signal, enabled push notifications and other factors outside Toyota's control which can limit functionality. Features vary by model and may change. See toyota.com.au/services/connected for more information.

IMPORTANT NOTICE – PLEASE READ: Toyota Australia uses its best endeavours to ensure material is accurate at the time of publishing. All information must be confirmed with your Toyota Dealer at the time of ordering, as specifications, applicability and availability may change over time. Colours depicted are a guide only and may vary from actual colours due to the printing/display process. Toyota Australia reserves the right to change and/or discontinue, without notice, models, prices, colours, materials, equipment, specifications. To the extent permitted by law, Toyota Australia will not be liable for any damage or loss

incurred from relying on the information and images contained in this material. Distributed nationally (other than in Western Australia) by Toyota Motor Corporation Australia Limited ABN 64 009 686 097. Material distributed in Western Australia by or on behalf of Prestige Motors Pty Ltd (for vehicles) and by Eastpoint Pty Ltd (for parts/accessories). Toyota Australia makes no warranties regarding (and will not be liable for) accuracy of materials distributed in Western Australia. PROOF HQ: T2026-000177. GTP-009769. VERSION: MARCH 2026.