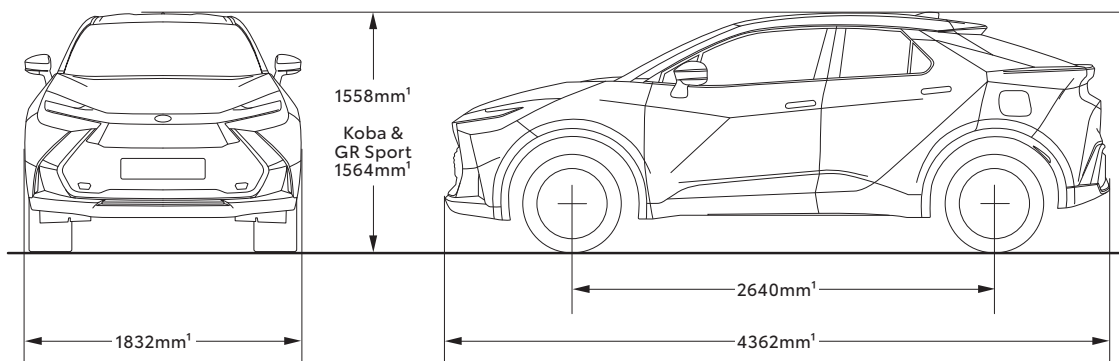


# C-HR



Please Note: information is accurate as at March 2024.

Weights/mass/volumes/dimensions are approximate and subject to individual vehicle variances, and should be confirmed before fitting any accessories, towing or otherwise relying on this value.



C-HR MODEL		GXL	Koba	GR Sport
ENGINE	Engine code	2ZR-FXE		M20A-FXS
	Powertrain description	1.8L 4-cylinder Hybrid		2.0L 4-cylinder Hybrid
	Displacement (cm <sup>3</sup> )	1798		1987
	Max power <sup>2</sup> (kW@rpm) engine and hybrid system combined	103		146
	Max torque <sup>2</sup> (Nm@rpm) engine and hybrid system combined	142		188
FUEL	Fuel economy <sup>3</sup> (L/100km)	Combined	4.0	4.1
		Extra Urban	4.2	4.7
		Urban	3.8	3.7
	Recommended fuel octane rating	91		91
STEERING	Steering system	Tilt and telescopic steering wheel		
	Steering operation	Electronic Power Steering (EPS)		
	Minimum turning radius – body	5.8m		
BRAKES	Brake control system <sup>4</sup>	Anti-lock Braking System (ABS) with Electronic Brake-force Distribution (EBD) and Brake Assist (BA)		
	GR Sport brakes			•
SUSPENSION	Front	MacPherson Strut type		
	Rear	Double wishbone type		
TRANSMISSION	Driveline	2WD – Hybrid Electric	2WD – Hybrid Electric	All Wheel Drive – Hybrid Electric
	7-speed auto CVT	•	•	•
CAPACITIES	Seating capacity	5	5	5
	Cargo space	388L		362L
	Braked towing capacity <sup>5</sup>	725kg		
EXTERIOR	Alloy wheels	17"	19"	19"
	Unique GR Sport design 19" alloy wheels			•
	Temporary spare wheel	•		
	Tire repair kit		•	•
	Privacy glass – rear-side and rear		•	•
	Premium front grille		•	•
	LED fog lamps		•	•
	LED headlamps with Manual Levelling	•		
	Bi-LED headlamps with Auto Levelling		•	•
	LED Daytime Running Lamps (DRLs)	•	•	•
	LED rear combination lamps	•	•	•
	Heated and electronically retractable side mirrors	•	•	•
	Two-tone <sup>5</sup> and Two-tone Plus <sup>6</sup> paint		Optional	Optional
	Panoramic roof – fixed <sup>6</sup>		Optional	Optional
	Rain sensing wipers	•	•	•
	GR Sport badging			•
	INTERIOR	Premium gear knob and steering wheel	•	•
Electronic park brake		•	•	•
One touch power windows		•	•	•
Electrochromatic rear view interior mirror		•		
Digital rear view mirror			•	•

C-HR MODEL		GXL	Koba	GR Sport
INTERIOR <i>continued</i>	Illuminated door trim		•	•
	Sporty fabric front seats	•		
	Premium sport suede and fabric seats		•	
	GR Sport suede and leather accented seats			•
	Heated front seats		•	•
	Power adjustment on driver's seat		•	•
	60/40 split fold rear seats	•	•	•
	GR Sport shift lever and steering wheel			•
INSTRUMENTS AND CONTROLS	7" Multi Information Display (MID)	•		
	12.3" Multi Information Display (MID)		•	•
	Smart entry and start system	•	•	•
	Head-Up Display (HUD)		•	•
	Wireless phone charger <sup>7</sup>		•	•
	Auto dual-zone automatic air conditioning	•	•	•
	nanoe™.8X air conditioning technology		•	•
STORAGE AND CONVENIENCE	Front cup holders	•	•	•
	Front and rear bottle holders	•	•	•
	Glove box	•	•	•
	Centre console box	•	•	•
	Passenger seat back pocket		•	•
	Front sunvisors with illuminated vanity mirrors	•	•	•
MULTIMEDIA	12.3" colour touchscreen display	•	•	•
	6 speakers	•		
	9-speaker JBL® <sup>8</sup> premium audio system		•	•
	Wireless Apple CarPlay <sup>9</sup> and Android Auto™ <sup>9</sup> – speak to your Dealer about device compatibility	•	•	•
	Bluetooth® <sup>10</sup> connectivity – compatibility and functionality varies depending on device	•	•	•
	USB input	•	•	•
SAFETY AND SECURITY	Toyota Safety Sense <sup>4</sup> – including All-speed Active Cruise Control with curve speed reduction, Lane Departure Alert with steering assist, Lane Change Assist, Pre-Collision Safety system with pedestrian and daytime cyclist detection, Intersection Turn Assistance, Emergency Steering Assist, Road Sign Assist (speed signs only), Automatic High Beam and Emergency Driving Stop System (EDSS)	•	•	•
	10 SRS airbags <sup>4</sup>	•	•	•
	Blind Spot Monitor with Safe Exit Assist <sup>4</sup>	•	•	•
	Rear Cross Traffic Alert <sup>4</sup>	•	•	•
	Immobiliser and alarm <sup>4</sup>	•	•	•
	Panoramic View Monitor <sup>4</sup>	•	•	•
	Parking Support Brake <sup>4</sup> (PKSB)	•	•	•
	Intelligent Park Assist <sup>4</sup>	•	•	•
	Driver Monitor Camera <sup>4</sup>	•	•	•
	Anti-lock Braking System with Electronic Brakeforce Distribution and Brake Assist <sup>4</sup>	•	•	•
	Vehicle Stability Control and Traction Control <sup>4</sup>	•	•	•
	Hill-start Assist Control <sup>4</sup>	•	•	•
	Rear seat occupant reminder <sup>4</sup>	•	•	•
	Seatbelt reminder <sup>4</sup> – all seats	•	•	•
	ISOFIX child restraint anchorage points <sup>4</sup> – rear outboard seats	•	•	•
TOYOTA CONNECTED SERVICES	Toyota Connected Services <sup>11</sup> – including Safety and Security features, Multimedia Connect, Driving Insights and Remote Connect – accessible via myToyota Connect app	•	•	•

1 Weights/mass/volumes/dimensions are approximate and subject to individual vehicle variances, and should be confirmed before fitting any accessories, towing or otherwise relying on this value.

2 Power and torque test standards differ. Ensure comparisons use same test standard.

3 Results achieved in ADR81/02 fuel consumption testing. Results produced in laboratory test conditions, using sample vehicles without fitment of accessories/customisation, and do not reflect real world driving. Figures should only be used for comparative purposes.

4 Driver assist feature. Only operates under certain conditions. Check your Owner's Manual for explanation of limitations. Figures should only be used for comparative purposes. Please drive safely.

5 Towing capacity subject to regulatory requirements, tow bar and vehicle design and towing equipment limitations. Ask your Dealer for Toyota Genuine tow bar capacity and availability details.

6 Optional extra at additional cost.

7 Only Qi-supported devices compatible. Refer to device manufacturer. May require additional purchase of accessory to support wireless charging.

**IMPORTANT NOTICE – PLEASE READ:** Toyota Australia uses its best endeavours to ensure material is accurate at the time of publishing. All information must be confirmed with your Toyota Dealer at the time of ordering, as specifications, applicability and availability may change over time. Colours depicted are a guide only and may vary from actual colours due to the printing/display process. Toyota Australia reserves the right to change and/or discontinue, without notice, models, prices, colours, materials, equipment, specifications. To the extent permitted by law, Toyota Australia will not be liable for any damage or loss incurred from

8 Product and company names are trademarks of their respective owners.

9 CarPlay® is a trademark of Apple, Inc. registered in the U.S. and other countries. Android Auto™ is a trademark of Google LLC.

10 Bluetooth® is a registered trademark of Bluetooth SIG, Inc.

11 Connected Services complimentary period ends 1 year from delivery date. Fees may apply thereafter. See [toyota.com.au/connected/plans-packages](https://toyota.com.au/connected/plans-packages). Not available outside Australia, if services disabled or terminated, or after 2033/Telstra 4G sunset (whichever comes first). Dependent on 3G/4G enabled DCM, GPS signal strength, mobile network coverage and other factors outside Toyota's control which can limit ability or functionality of system. Requires compatible device and app installation, third party info and mobile data. Mobile usage at user's cost. Check [toyota.com.au/connected](https://toyota.com.au/connected) or your Owner's Manual for explanation of limitations. Features subject to change. Please drive safely.

relying on the information and images contained in this material. Distributed nationally (other than in Western Australia) by Toyota Motor Corporation Australia Limited ABN 64 009 686 097. Material distributed in Western Australia by or on behalf of Prestige Motors Pty Ltd (for vehicles) and by Eastpoint Pty Ltd (for parts/accessories). Toyota Australia makes no warranties regarding (and will not be liable for) accuracy of materials distributed in Western Australia. PROOF HQ: T2024-000149. GTP-008006. VERSION: MARCH 2024.