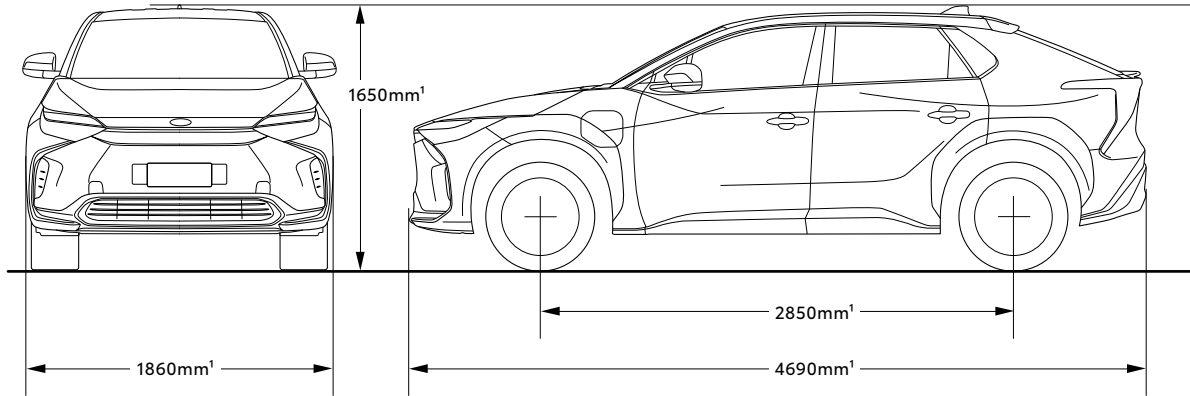


# bZ4X



Please Note: information is accurate as at March 2024.

Specification and imagery are indicative and should only be used as a guide. Vehicle and accessory specification, features, colour and trim may differ at the time of vehicle delivery.



| MECHANICAL SPECIFICATIONS            |   |             | bZ4X   | bZ4X AWD        |
|--------------------------------------|---|-------------|--|-----------------|
| ELECTRIC MOTOR                       | Type  |             | AC synchronous electric generator  |                 |
|                                      | Maximum(kW)   | Front motor | 150  | 80              |
|                                      |   | Rear motor  |  | 80              |
|                                      | Maximum output – system (kW)                            |             | 150  | 160             |
|                                      | Model code front/rear (AWD)                             |             | 1XM / N/A  | 1YM / 1YM       |
|                                      | Type  |             | Permanent Magnet Synchronous Motor   |                 |
| Max torque (Nm)                      | Front   | 266.3       | 168.5  |                 |
|                                      | Rear  |             | 168.5  |                 |
|                                      | Total   | 266.3       | 337  |                 |
| BATTERY AND CHARGING                 | Battery type  |             | Lithium-ion battery  |                 |
|                                      | Battery capacity (Ahr)                                  |             | 201  |                 |
|                                      | Number of battery cells                                 |             | 96   |                 |
|                                      | Voltage per cells                                       |             | 3.7  |                 |
|                                      | Total voltage (V)                                       |             | 355.2  |                 |
|                                      | Traction battery capacity (Ahr)                         |             | 201  |                 |
|                                      | Total power (kWh)                                       |             | 71.4   |                 |
|                                      | Mode 2 and Mode 3 charging cables                       |             | Included   |                 |
|                                      | AC charging <sup>2</sup> – 10-100%                      |             | Single-Phase Charging – approx. 9 hours 30 mins / 3-Phase Charging – approx. 7 hours |                 |
|                                      | DC charging <sup>2,3</sup> – 10-80%                     |             | approx. 30 mins  |                 |
|                                      | AC Input – standard                                     |             | Type 2   |                 |
|                                      | DC Input – quick charge                                 |             | CCS2   |                 |
|                                      | AC charging power (kw)                                  |             | 11   |                 |
|                                      | DC charger maximum output (kW)                          |             | 150  |                 |
| STEERING                             | Gear type   |             | Rack & Pinion  |                 |
|                                      | Type  |             | Electric Power Steering (EPS)  |                 |
|                                      | Overall gear ratio                                      |             | 14.1   |                 |
|                                      | Lock to lock  |             | 2.81   |                 |
| SUSPENSION                           | Front   |             | MacPherson Strut   |                 |
|                                      | Rear  |             | Double wishbone  |                 |
|                                      | Stabilizer bar – front and rear                         |             | Torsion bar  |                 |
| BRAKES                               | Type – front and rear                                   |             | Ventilated disc brake  |                 |
|                                      | Front diameter (mm)                                     |             | 328  |                 |
|                                      | Rear diameter (mm)                                      |             | 317  |                 |
|                                      | Regenerative braking systems                            |             | •  |                 |
| DRIVE TRAIN AND TRANSMISSION         | Transaxle model code (Front/Rear)                       |             | Q910 / -   | Q910 / QA10     |
|                                      | Total speed reduction ratio (Front/Rear)                |             | 13.786 / -   | 13.786 / 13.786 |
|                                      | Front wheel drive                                       |             | •  |                 |
|                                      | All wheel drive   |             |  | •               |
|                                      | Type  |             | BEV automatic transmission   |                 |
| WEIGHTS AND CAPACITIES (APPROXIMATE) | Seating capacity – persons                              |             | 5  | 5               |
|                                      | Cargo space (L)   |             | 421  | 410             |
|                                      | Gross vehicle weight (kg)                               |             | 2465   | 2550            |
|                                      | Maximum curb weight (kg)                                |             | 1960   | 2055            |
|                                      | Running ground clearance <sup>4</sup> (mm)              |             | 182  | 212             |
|                                      | Towing capacity <sup>5</sup> – braked and unbraked (kg) |             | 750  | 750             |

| MECHANICAL SPECIFICATIONS  |   | bZ4X  | bZ4X AWD  |
|--|---|---|---|
| WHEELS   | 20" alloy wheels  | •   | •   |
|  | Tyre repair kit   | •   | •   |
| PERFORMANCE  | Maximum speed (km/h)  | 160   | 160   |
|  | Acceleration 0 to 100km/h   | 7.5   | 6.9   |
|  | Minimum turning radius (m)  | Tyre = 5.6 / Body = 6.1   |   |
|  | BEV driving range <sup>6,7</sup> (km) (NEDC)                                | 436km (WLTP) <sup>6</sup> and 535km (NEDC) <sup>6</sup>           | 411km (WLTP) <sup>7</sup> and 485km (NEDC) <sup>7</sup>           |
|  | Electric energy consumption <sup>6,7</sup> (Wh/km) (NEDC)                   | 168.9 Wh/km (WLTP) <sup>6</sup> and 128 Wh/km (NEDC) <sup>6</sup> | 181.1 Wh/km (WLTP) <sup>7</sup> and 141 Wh/km (NEDC) <sup>7</sup> |
| COMFORT AND CONVENIENCE  | Dual-zone climate control auto air conditioning                             | •   | •   |
|  | Rear air vents  | •   | •   |
|  | Electric park brake   | •   | •   |
|  | Automatic rain sensing wipers   | •   | •   |
|  | Driver power front seat – 8-way   | •   | with memory   |
|  | Heated front seats – driver and passenger                                   | •   | •   |
|  | Ventilated seats – driver and passenger                                     |   | •   |
|  | Heated steering wheel   |   | •   |
|  | Cupholders – x2 front, x2 rear  | •   | •   |
| EXTERIOR   | LED Daytime Running Lamps   | •   | •   |
|  | Heated exterior mirrors   | •   | with memory and reverse auto adjust                               |
|  | LED headlamps   | •   | •   |
|  | LED rear and eye level brake lights   | •   | •   |
|  | LED side mirror indicators  | •   | •   |
|  | Rear fog lamps  | •   | •   |
|  | Rear, side, quarter and back privacy glass                                  | •   | •   |
|  | Roof rails  |   | •   |
|  | Rear spoiler  |   | •   |
|  | Front and rear air spats  | •   | •   |
|  | Gloss black bonnet accent   |   | •   |
|  | Two-tone roof   |   | optional  |
|  | INSTRUMENTS AND CONTROLS  | Advanced park assist  |   |
| 7" colour Multi Information Display (MID)                              |   | •   | •   |
| Auto retractable door mirrors  |   | •   | •   |
| Power back door  |   | •   | with Kick Sensor  |
| Steering wheel with audio, phone, MID and Toyota Safety Sense controls |   | •   | •   |
| 12V socket   |   | •   | •   |
| Smart entry & smart start  |   | •   | •   |
| USB in centre console storage x3                                       |   | •   | •   |
| USB rear centre console x2   |   | •   | •   |
| Wireless phone charger   |   |   | •   |
| Voice assistant  |   | •   | •   |
| Vehicle Stability Control (VSC)  |   | •   | •   |
| Downhill Assist Control (DAC), Multi Terrain Sensing and Crawl         |   |   | accessible through X-Mode   |
| 3 off-road modes (X-mode)  |   |   | •   |
| Tilt and telescopic steering wheel adjustment                          |   | •   | •   |
| INTERIOR   | Centre tray   | •   | •   |
|  | Cup holders – front x2  | •   | •   |
|  | Cup holders – rear x2   | •   | •   |
|  | Interior seat trim  | Fabric and SofTex <sup>®8</sup>                                   | Premium SofTex <sup>®8</sup>                                      |
|  | Leather accented steering wheel   | •   | •   |
|  | Heated steering wheel   |   | •   |
|  | Rotary dial shift with integrated park brake                                | •   | •   |
|  | 60:40 folding rear seats  | •   | •   |
|  | Electrochromatic rear view interior mirror                                  | •   | •   |
|  | Personal front LED reading lamp   | •   | •   |
|  | Luggage compartment light   | •   | •   |
|  | Fixed panoramic moon roof   |   | •   |
| MULTIMEDIA   | 6 speakers  | •   |   |
|  | 9-speaker JBL <sup>®</sup> premium sound system                             |   | •   |
|  | 12.3" multimedia system with cloud navigation                               | •   | •   |
|  | Digital Audio Broadcast (DAB)   | •   | •   |
|  | Wireless Apple CarPlay <sup>®</sup> and Wireless Android Auto <sup>™9</sup> | •   | •   |

| MECHANICAL SPECIFICATIONS |  | bZ4X | bZ4X AWD |
|---------------------------|--|------|----------|
| SAFETY AND SECURITY       | 7 SRS Airbags  | •    | •        |
|                           | Toyota Safety Sense <sup>10</sup> – including All-speed Active Cruise Control with curve speed reduction, Lane Departure Alert with steering assist, Lane Change Assist, Pre-Collision Safety system with pedestrian and daylight cyclist detection and Intersection Turn Assistance, Emergency Steering Assist, Road Sign Assist (speed signs only) and Automatic High Beam, Emergency Driving Stop System (EDSS) | •    | •        |
|                           | Blind Spot Monitor with Safe Exit Assist   |      | •        |
|                           | Rear Cross Traffic Alert   |      | •        |
|                           | Reversing camera   | •    | •        |
|                           | Panoramic View Monitor   |      | •        |
|                           | Parking Support Brake (PKSB) with parking sensors  | •    | •        |
|                           | Anti-lock Braking System with Electronic Brake-force Distribution and Brake Assist   | •    | •        |
|                           | Rear seat occupant reminder  | •    | •        |
|                           | Seatbelt reminder – all seats  | •    | •        |
|                           | ISOFIX child restraint anchorage points x2 – rear outboard seats   | •    | •        |
| First Aid kit             | •  | •    |          |
| TOYOTA CONNECTED SERVICES | Toyota Connected Services with Charge Management features including Safety and Security features, Driving Insights, Connected Multimedia and Remote Connect – accessible via myToyota Connect app <sup>11</sup>  | •    | •        |

- Weights/mass/volumes/dimensions are approximate and subject to individual vehicle variances, and should be confirmed before fitting any accessories, towing or otherwise relying on this value.
- Charging duration is approximate only and may vary depending on environmental and charging conditions, type of charger and method used. Actual charging times may differ. Frequent use of DC Fast Charging can impact battery performance & durability. Toyota recommends minimising DC Fast Charging usage. Refer to Owner's manual and [toyota.com.au/electrified/battery-electric-vehicles/charging-your-bev](http://toyota.com.au/electrified/battery-electric-vehicles/charging-your-bev) for guidance.
- Charging time when charging with a DC charger with 150kW (400 A) output.
- Dimensions are approximate and are subject to individual vehicle variances, accessory fitment and weight carried.
- Towing capacity subject to regulatory requirements, tow bar and vehicle design and towing equipment limitations. Ask your Dealer for Toyota Genuine tow bar capacity and availability details
- 535 km range, achieved for Australian electric bZ4X 2WD Automatic SUV, is based on consumption rate of 128 Wh/km using the NEDC combined drive cycle mandated by the ADR 81/02 (and is the range displayed on the Energy Consumption label affixed to the car). 436 km range, achieved for European electric bZ4X 2WD Automatic SUV, is based on consumption rate of 181.1Wh/km using the Worldwide Harmonised Light Vehicle Test Procedure (WLTP). Australian model has not been tested using WLTP test procedure. The electric range and the energy consumption values were determined using a fully charged battery in a laboratory test and should only be used for the purpose of comparing vehicles tested to the same technical procedures. Actual driving range may vary depending on accessories fitted, battery age and condition, climate, driving style, use of heating/cooling, traffic conditions, and vehicle load. The WLTP test cycle has higher energy demand compared to the NEDC which will generally deliver a lower driving range. For more information, please visit [toyota.com.au/electrified/battery-electric-vehicles/charging-your-bev](http://toyota.com.au/electrified/battery-electric-vehicles/charging-your-bev)

#### IMPORTANT NOTICE – PLEASE READ:

Toyota Australia uses its best endeavours to ensure material is accurate at the time of publishing. All information must be confirmed with your Toyota Dealer at the time of ordering, as specifications, applicability and availability may change over time. Colours depicted are a guide only and may vary from actual colours due to the printing/display process. Toyota Australia reserves the right to change and/or discontinue, without notice, models, prices, colours, materials, equipment, specifications. To the extent permitted by law, Toyota Australia will not be liable for any damage or loss incurred from relying

- 485 km range, achieved for Australian electric bZ4X AWD Automatic SUV, is based on consumption rate of 141 Wh/km using the NEDC combined drive cycle mandated by the ADR 81/02 (and is the range displayed on the Energy Consumption label affixed to the car). 411 km range, achieved for European electric bZ4X AWD Automatic SUV, is based on consumption rate of 168.9Wh/km using the Worldwide Harmonised Light Vehicle Test Procedure (WLTP). Australian model has not been tested using WLTP test procedure. The electric range and the energy consumption values were determined using a fully charged battery in a laboratory test and should only be used for the purpose of comparing vehicles tested to the same technical procedures. Actual driving range may vary depending on accessories fitted, battery age and condition, climate, driving style, use of heating/cooling, traffic conditions, and vehicle load. The WLTP test cycle has higher energy demand compared to the NEDC which will generally deliver a lower driving range. For more information, please visit [toyota.com.au/electrified/battery-electric-vehicles/charging-your-bev](http://toyota.com.au/electrified/battery-electric-vehicles/charging-your-bev)
- Product and company names are trademarks of their respective owners.
- CarPlay is a trademark of Apple, Inc. registered in the U.S. and other countries. Android Auto™ is a trademark of Google LLC.
- Driver assist feature. Only operates under certain conditions. Check your Owner's Manual for explanation of limitations. Please drive safely.
- Connected Services complimentary period ends 1 year from delivery date. Fees and charges may apply after. Requires activated DCM (until the earlier of 2033 or Telstra 4G sunset), compatible device, app installation/connection, third party info, mobile data, Australian network reception, GPS signal, enabled push notifications and other factors outside Toyota's control which can limit functionality. Mobile usage at user's cost. Features vary depending on vehicle model & subscription choice, and subject to change. For details see [toyota.com.au/connected/connect-app](http://toyota.com.au/connected/connect-app)

on the information and images contained in this material. Distributed nationally (other than in Western Australia) by Toyota Motor Corporation Australia Limited ABN 64 009 686 097. Material distributed in Western Australia by or on behalf of Prestige Motors Pty Ltd (for vehicles) and by Eastpoint Pty Ltd (for parts/accessories). Toyota Australia makes no warranties regarding (and will not be liable for) accuracy of materials distributed in Western Australia. PROOF HQ: T2024-000121. GTP-007839-01. VERSION: MARCH 2024.